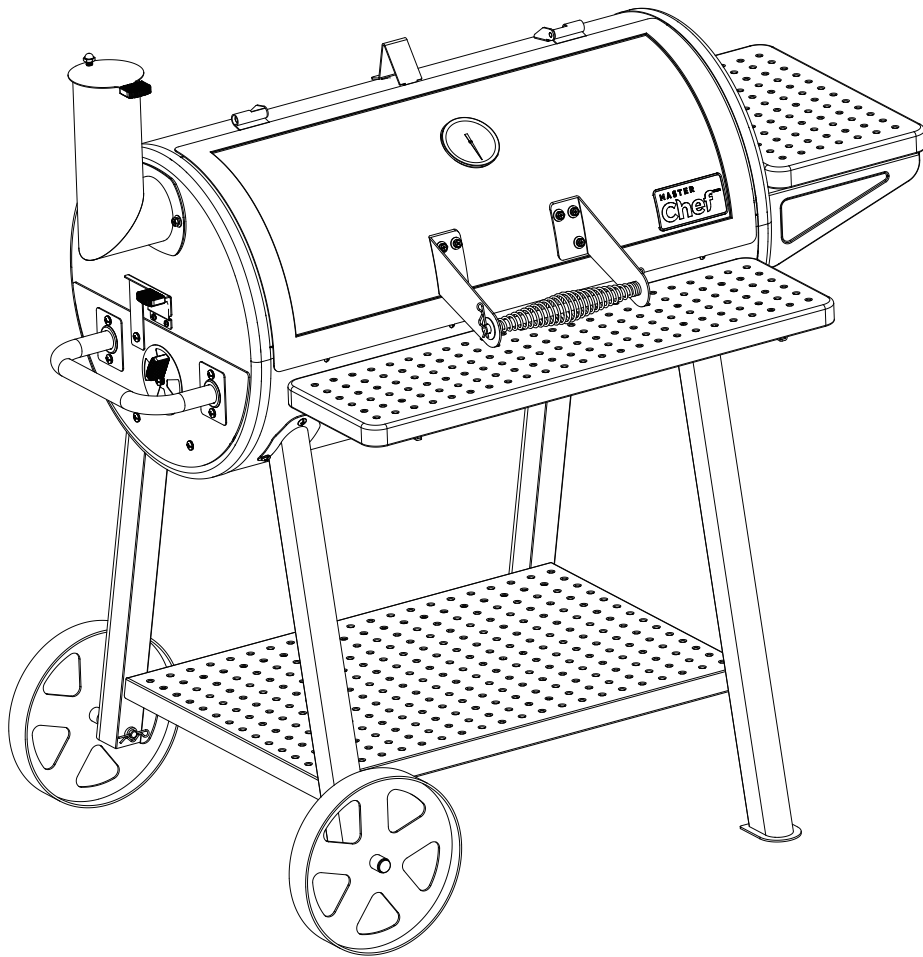


MASTER
Chef^{TM/MC}



CHARCOAL BARREL GRILL

Assembly Instruction

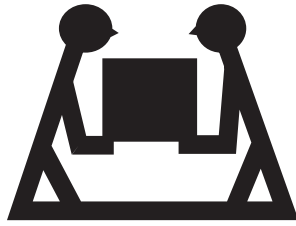
085-0258-6 / C50501
1 YEAR LIMITED WARRANTY

READ AND SAVE MANUAL FOR FUTURE REFERENCE.

Assemble your grill immediately.

Missing or damaged parts claims must be submitted within 30 days of purchase date.

**For product inquiries, parts, warranty and troubleshooting support,
please call 1-855-453-2150.**



HEAVY ARTICLE NEEDS 2 TO LIFT

THIS MANUAL MUST REMAIN WITH THE PRODUCT AT ALL TIMES

To ORDER non-warranty replacement parts or accessories, or to register your warranty,
please visit us on the web at
www.masterchefbbqs.com

⚠ CAUTION

Sharp edges. Wear gloves when assembling your grill.

⚠ CAUTION

Read and follow all safety statements, assembly instructions, use and care directions before attempting to assemble and cook.

⚠ INSTALLER OR ASSEMBLER/CONSUMER

This manual should be kept with the grill at all times.

⚠ WARNING

Failure to follow all of the Manufacturer's instructions could result in hazardous fires, explosions, property damage, serious personal injury or even death.

Follow all leak check procedures carefully prior to operation of grill, even if grill was dealer assembled. Do not try to light this grill without reading the Lighting Instructions section of this manual.

⚠ DANGER

1. Requires two people to complete the assembly process.
 2. Beware of sharp edges.
-

⚠ WARNING

Do not store or use gasoline or other flammable liquids or vapours in the vicinity of this or any other appliance.

⚠ WARNING

IN DIRECT SUNLIGHT, AND IN OPERATION, YOUR GRILL'S STAINLESS STEEL AND PAINTED STEEL PARTS CAN BECOME VERY HOT.

THIS GRILL IS FOR OUTDOOR USE ONLY.

CONTACT CALL CENTRE IF ANY PARTS ARE MISSING.

1-855-453-2150

HARDWARE PACK

TOOLS NEEDED FOR ASSEMBLY

- Cross-head screwdriver (long and short)
- 1/4" Flathead screwdriver (long and short)
- Adjustable wrench
- Pliers

KEY #	DESCRIPTION	PART NUMBER	QUANTITY
1	Wheel Bolts	C505-0024-9088	2
2	1/4" x 13 Screw Assembly	G560-3800-9091	1
3	1/4" x 15 Hex Screw Assembly	P701-0105-9091	8
4	1/4"-20UNC Nut	31220-13000-036	6
5	NO.10-24UNC Nut	31224-10000-036	4
6	1/4"-20UNC x 15 Screw	20120-13015-036	30
7	Shoulder screws	P503-1801-9091	2
8	NO.8-32UNC x 10 Screw	20132-08010-036	4
9	Hitch Pin	P701-0108-9088	2
10	φ5 Washer	40300-05000-036	4

⚠ Caution:

Sheet metal can cause injury. Wear gloves when installing the grill.



Wheel Bolt
X2



1/4" x 13 Screw Assembly
X1



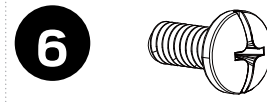
1/4" x 15 Hex Screw Assembly
X8



1/4"-20UNC Nut
X6



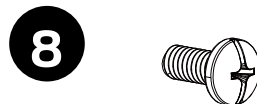
NO.10-24UNC Nut
X4



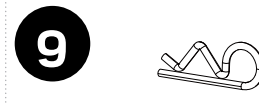
1/4"-20UNC x 15 Screw
X30



Shoulder screws
X2



NO.8-32UNC x 10 Screw
X4



Hitch Pin
X2



φ5 Washer
X4

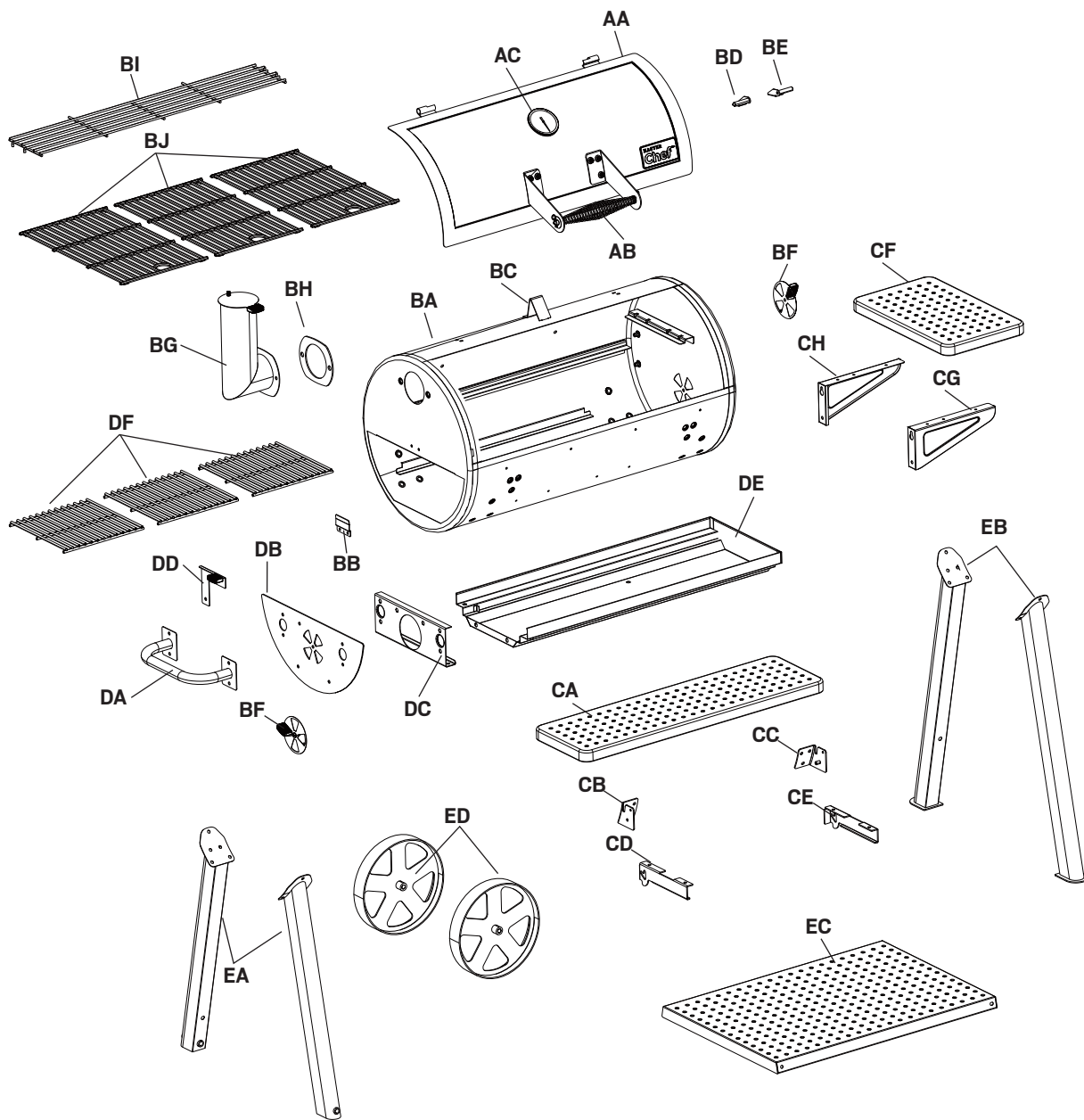
BEFORE ASSEMBLING THIS CHARCOAL BARREL, READ THE INSTRUCTIONS CAREFULLY.

Assemble the charcoal barrel on a flat, clean surface. The charcoal barrel is heavy; two people are recommended to complete assembly.

PARTS LIST FOR 085-0258-6 / C50501

KEY #	QUANTITY	DESCRIPTION	PART NO.
AA	1	Top Lid	C505-1800-01
AB	1	Lid Handle	C505-1900-01
AC	1	Thermometer	C505-0030-01
BA	1	Firebox	C505-0200-01
BB	1	Charcoal Drawer Baffle	C505-0009-01
BC	1	Lid Stopper	P701-0908-01
BD	1	Lid Hinge Bolt, Left	P701-1300-01
BE	1	Lid Hinge Bolt, Right	P701-1400-01
BF	2	Intake Damper	C505-0028-01
BG	1	Smoke Stack	C505-0400-01
BH	1	Smoke Stack Gasket	P701-1601-01
BI	1	Warming Rack	C505-0003-01
BJ	3	Cooking Grates	G426-0005-01
CA	1	Front Table	C505-2000-01
CB	1	Front Table, Left Bracket	C505-1100-01
CC	1	Front Table, Right Bracket	C505-1200-01
CD	1	Front Table, Left Support	C505-0031-01
CE	1	Front Table, Right Support	C505-0032-01
CF	1	Side Shelf	C505-0021-01
CG	1	Side Shelf, Brace A	C501-4003-01
CH	1	Side Shelf, Brace B	C501-4002-01
DA	1	Charcoal Drawer Handle	C505-0600-01
DB	1	Charcoal Drawer Front Panel	C505-0008-01
DC	1	Charcoal Drawer Brace	C505-0010-01
DD	1	Charcoal Drawer Lock	C505-0700-01
DE	1	Charcoal Drawer	C505-0800-01
DF	3	Charcoal Grates	C505-0012-01
EA	2	Left Leg	C505-1500-01
EB	2	Right Leg	C505-1600-01
EC	1	Bottom Panel	C505-0025-01
ED	2	Wheel	C505-1700-01
F1	1	Hardware Pack	C505-B001-01
F2	1	Assembly Manual	C505-M001-01
F3	1	Safety and User Manual	C505-M002-01

EXPLODED DIAGRAM FOR 085-0258-6 /C50501



- F1
HARDWARE
PACK
- F2
ASSEMBLY
MANUAL
- F3
SAFETY AND
CARE MANUAL

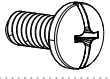
ASSEMBLY INSTRUCTIONS

1

A

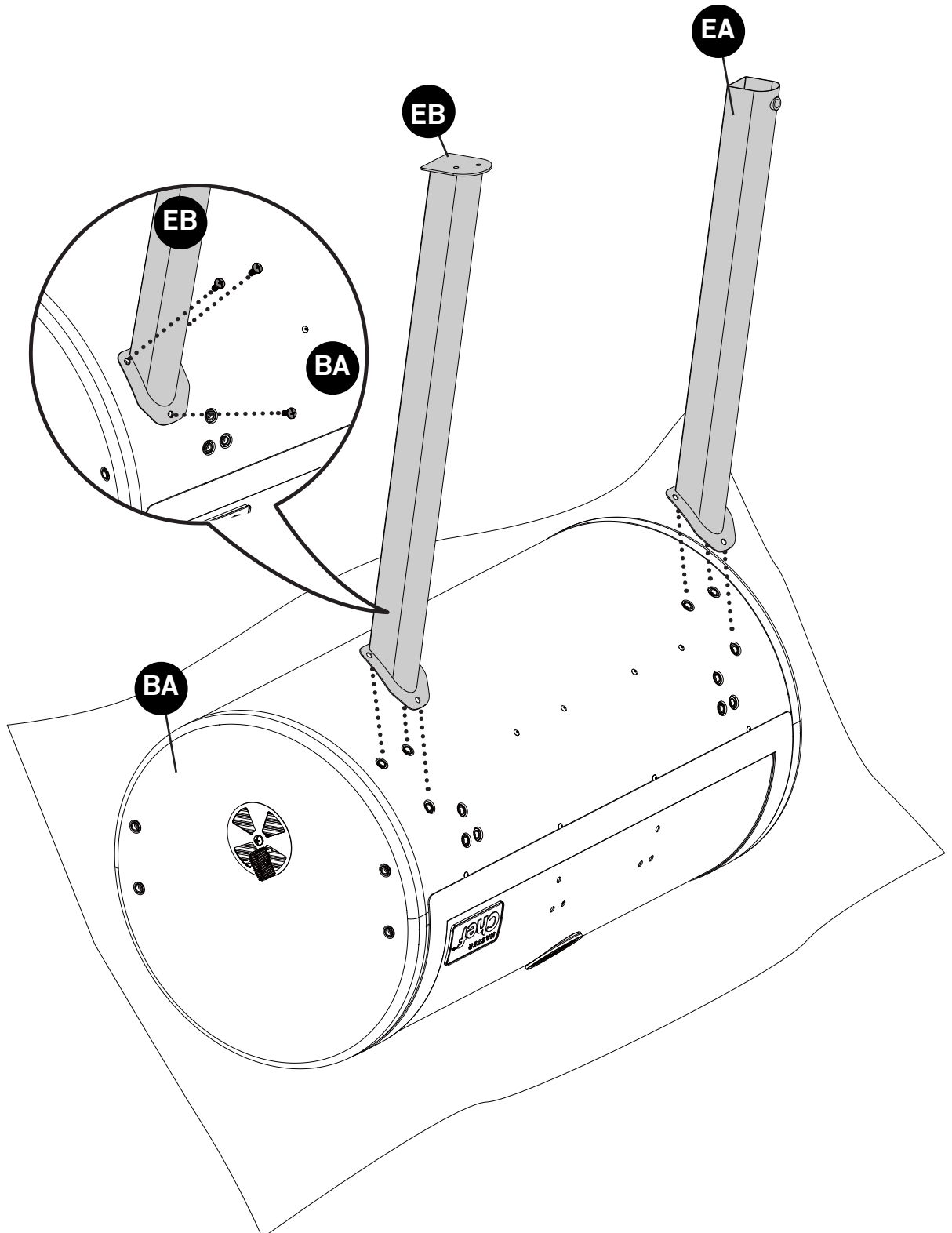


6



x6

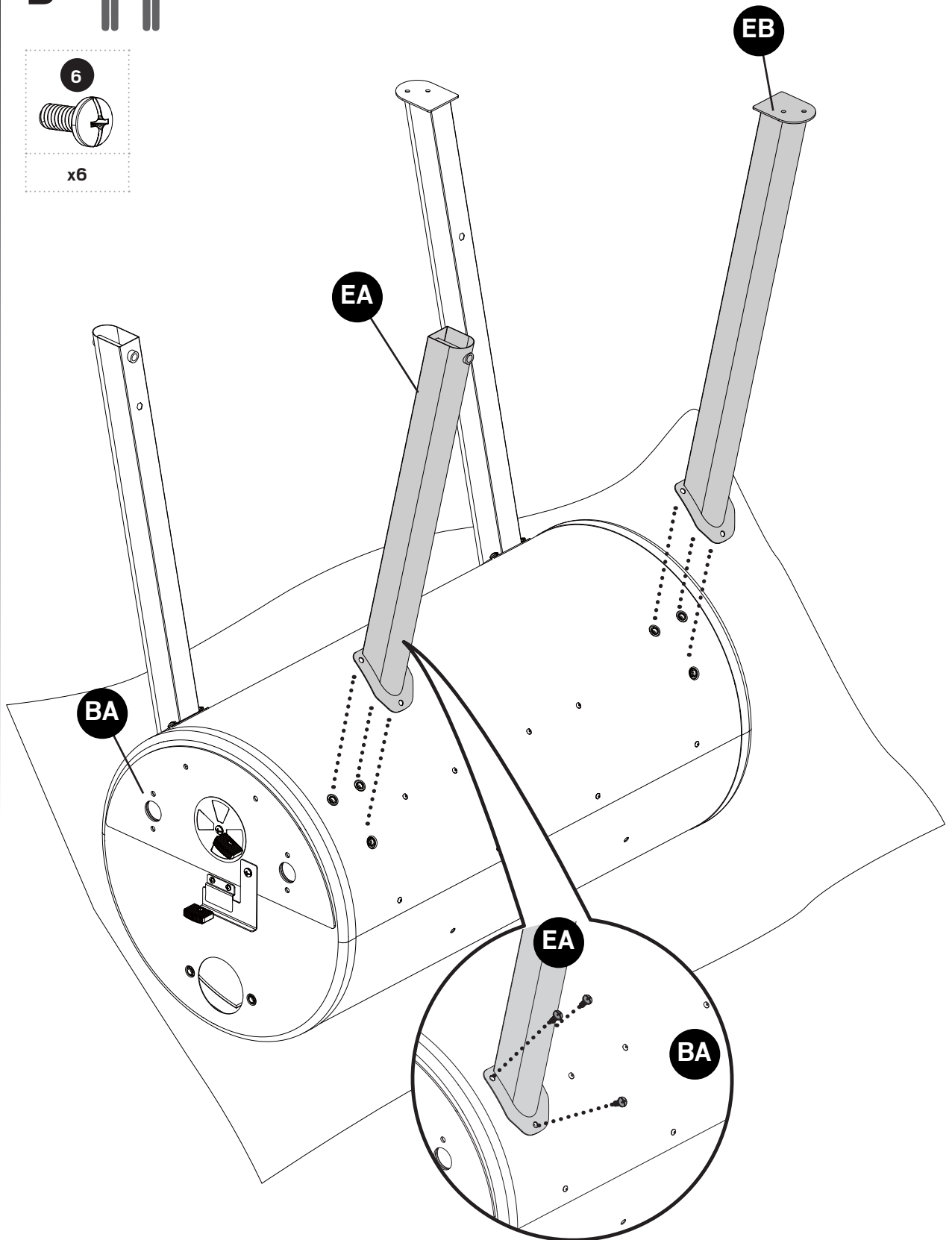
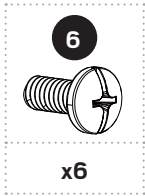
ATTENTION: Use a tarp to prevent scratches and damage during assembly.



ASSEMBLY INSTRUCTIONS

1



B

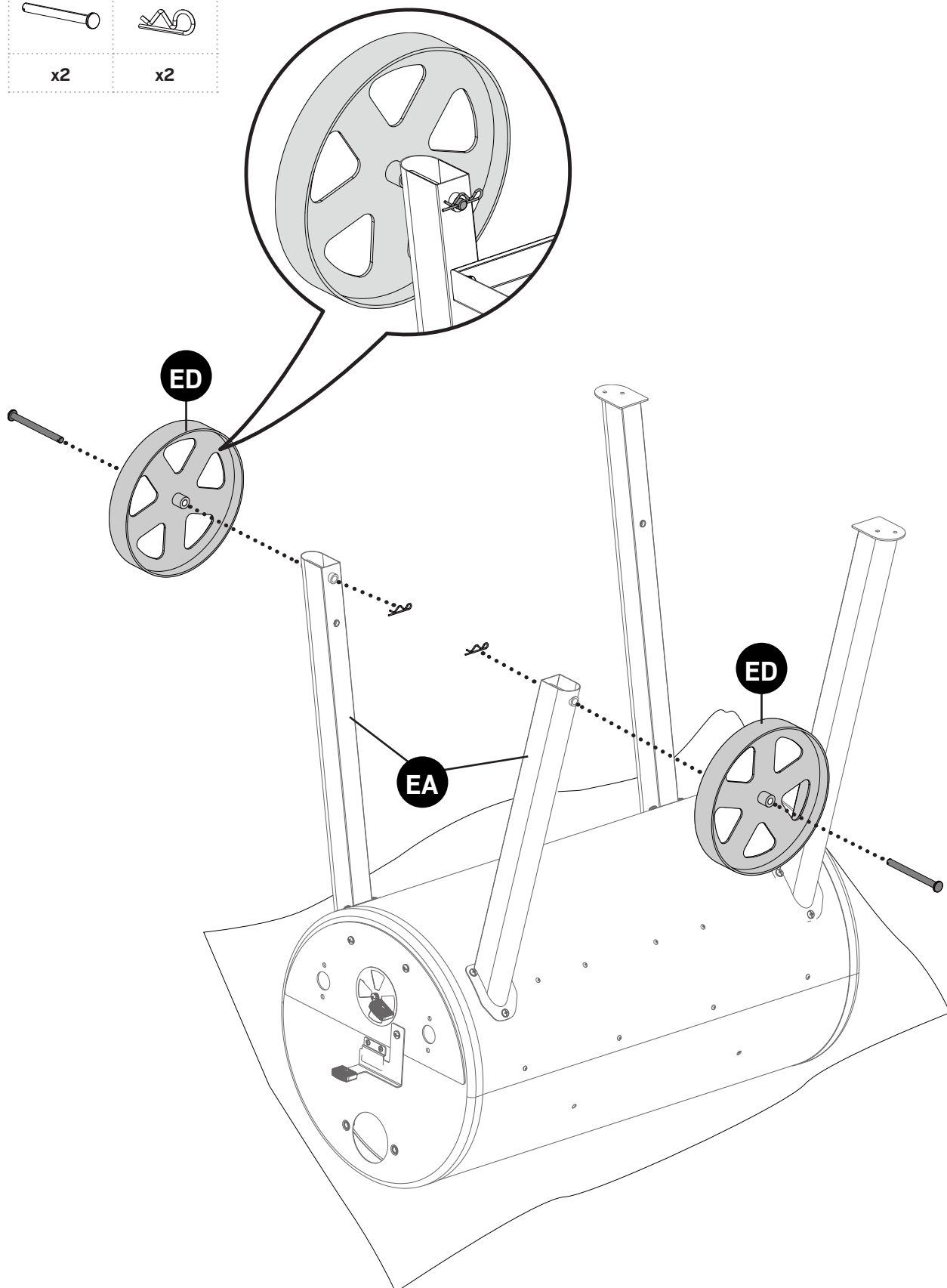


ASSEMBLY INSTRUCTIONS

2

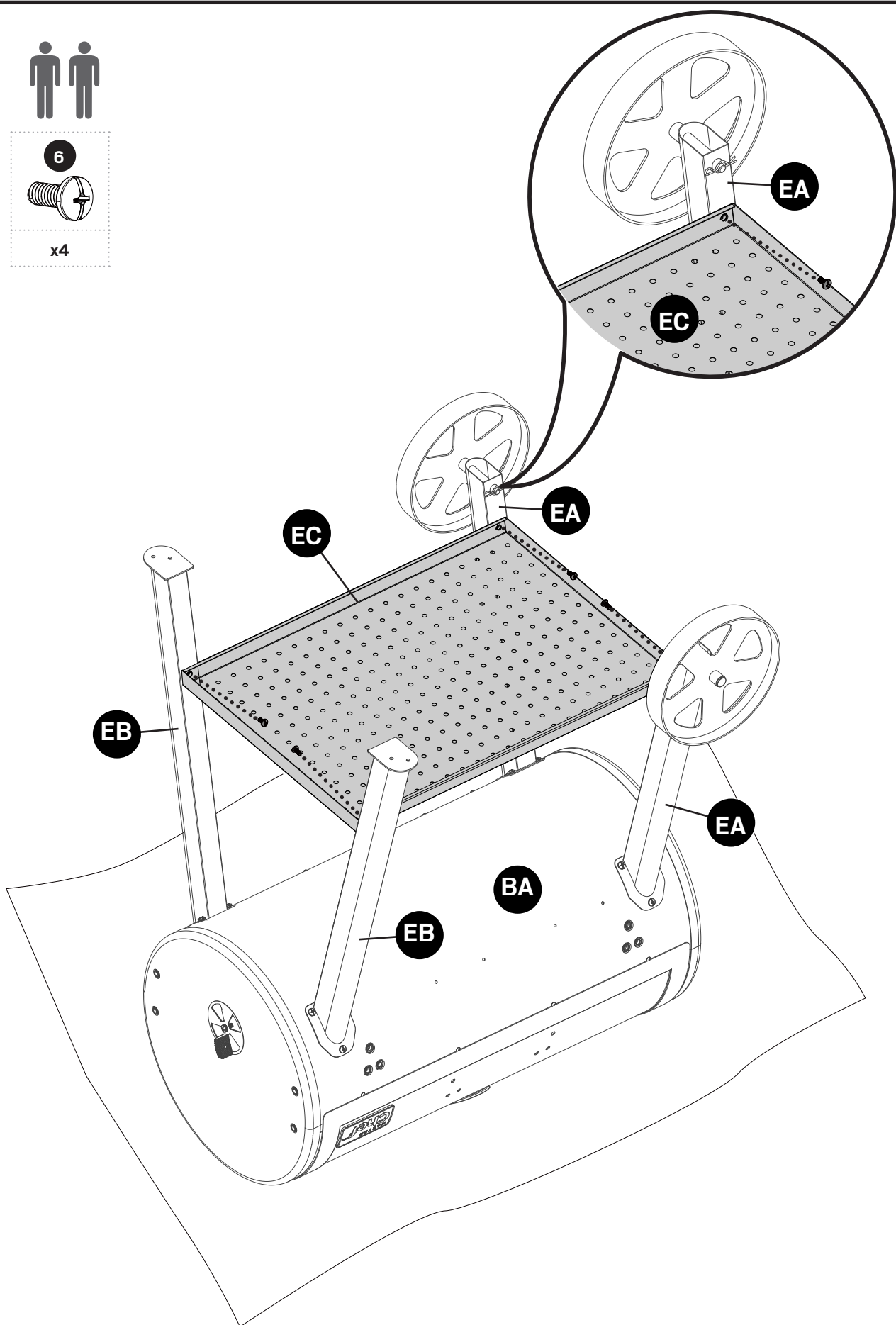
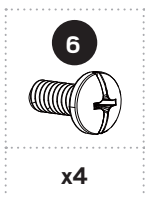


1 	9 
x2	x2



ASSEMBLY INSTRUCTIONS



3

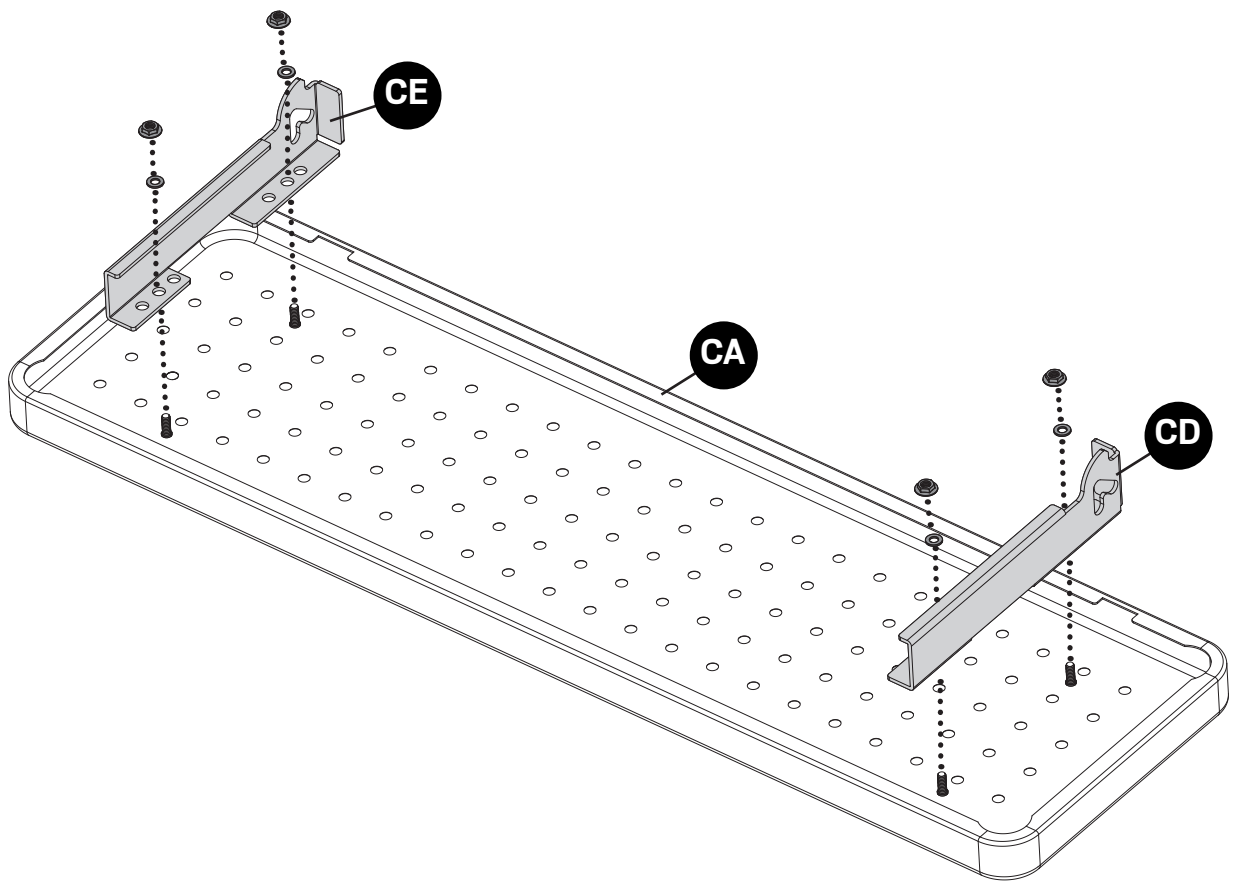


ASSEMBLY INSTRUCTIONS

4

A

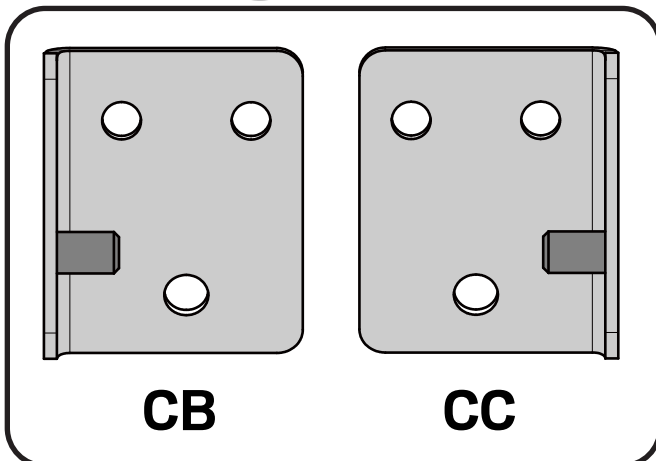
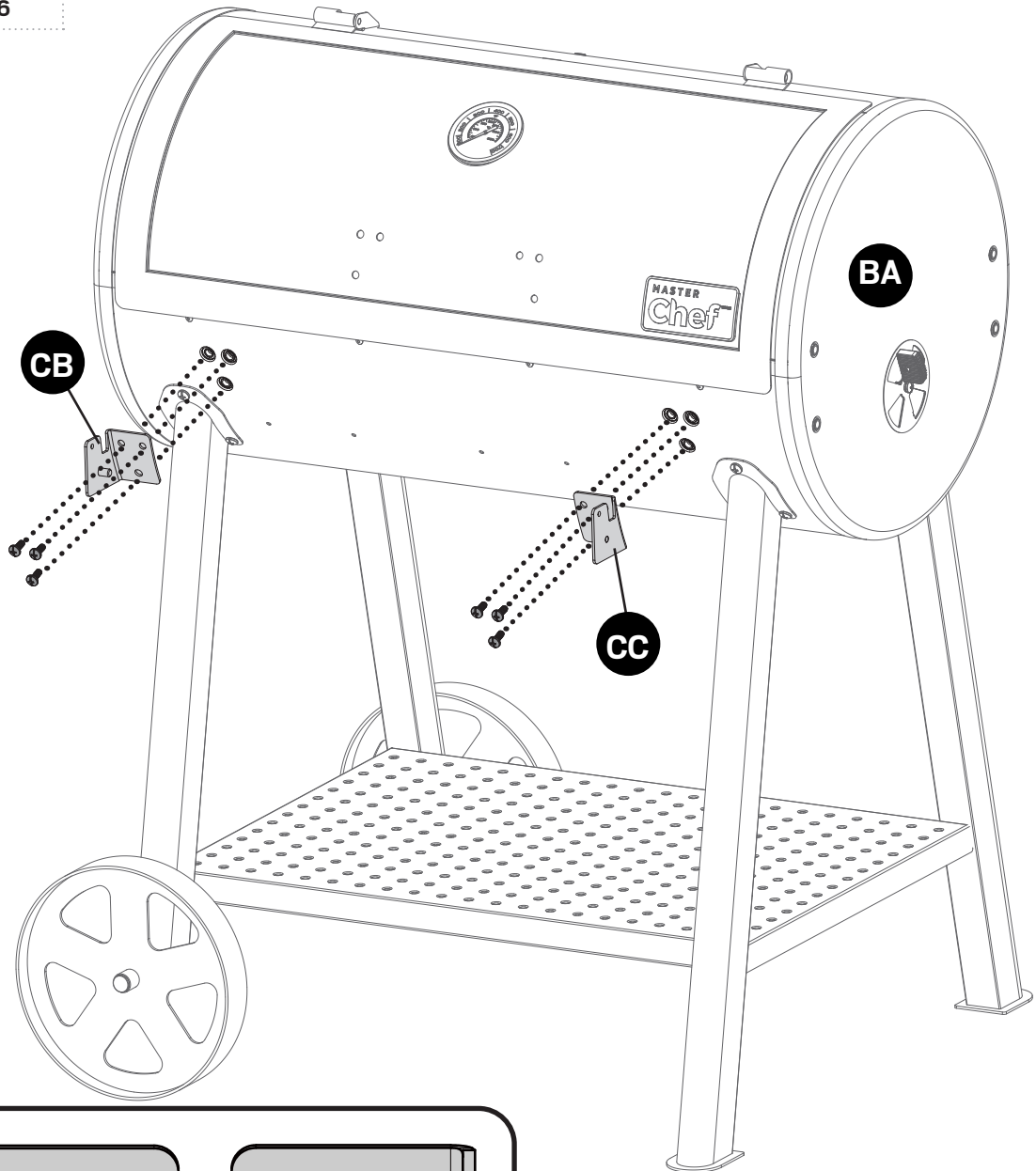
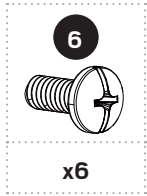
5  x4	10  x4
---	--



ASSEMBLY INSTRUCTIONS

4

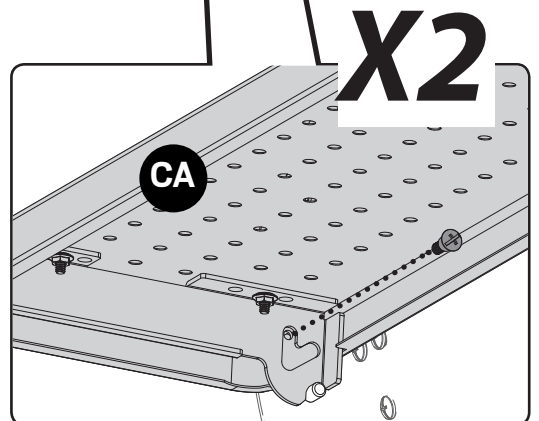
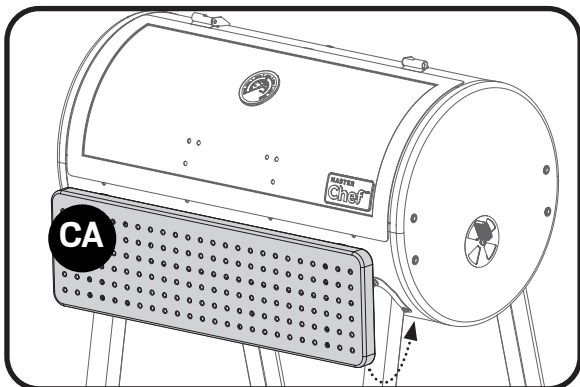
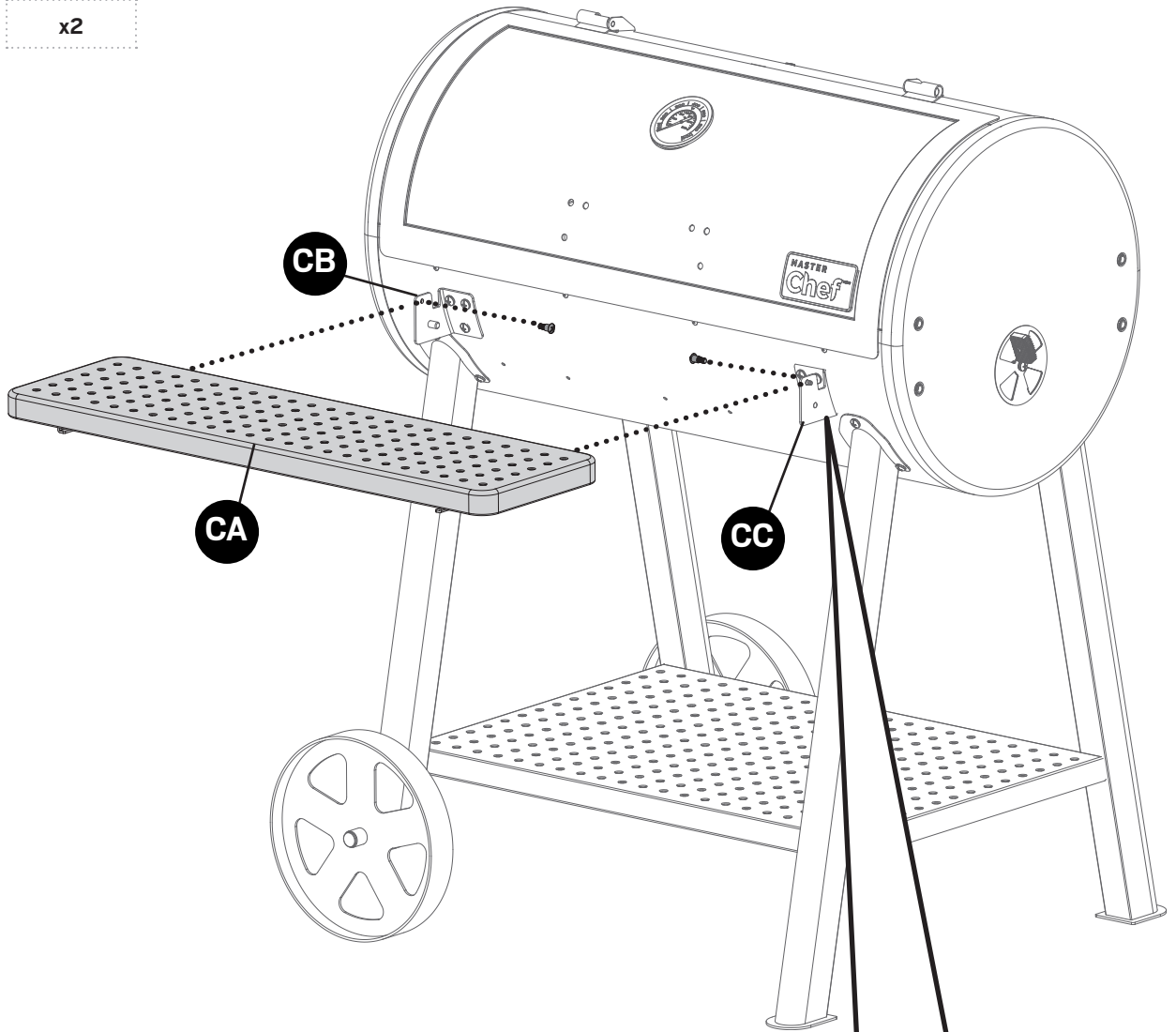
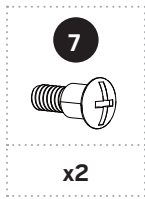
B



ASSEMBLY INSTRUCTIONS

4

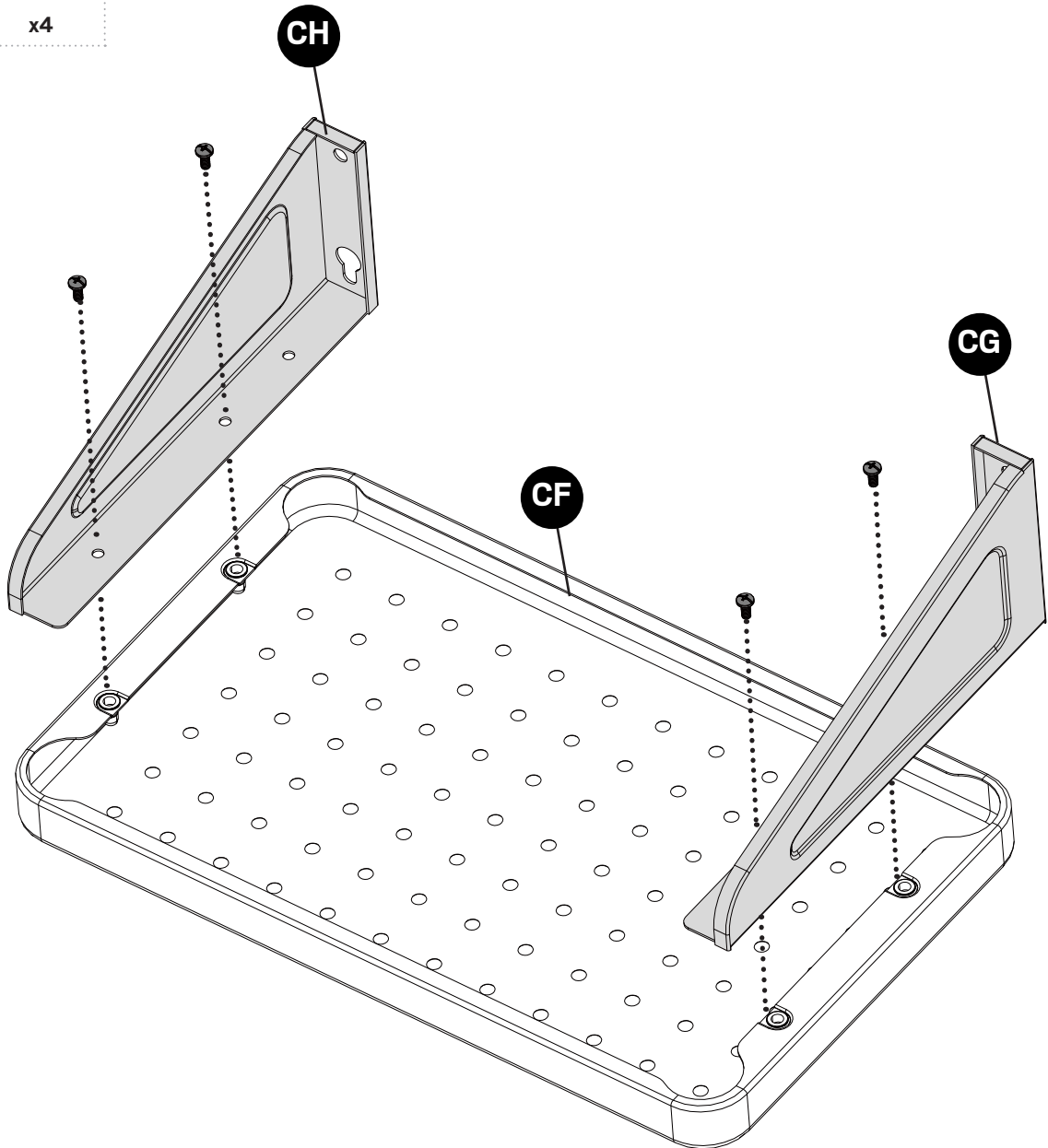
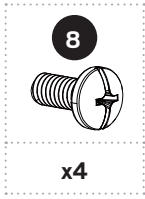
C



ASSEMBLY INSTRUCTIONS

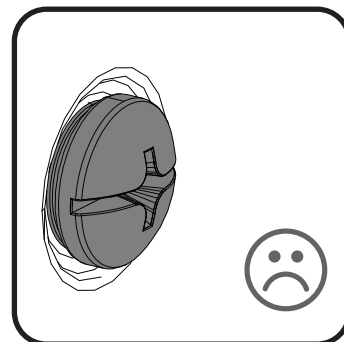
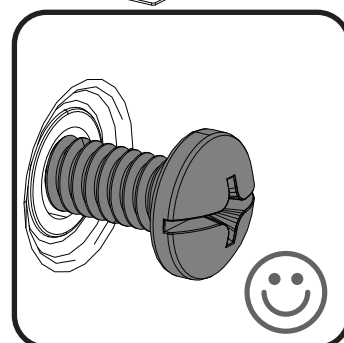
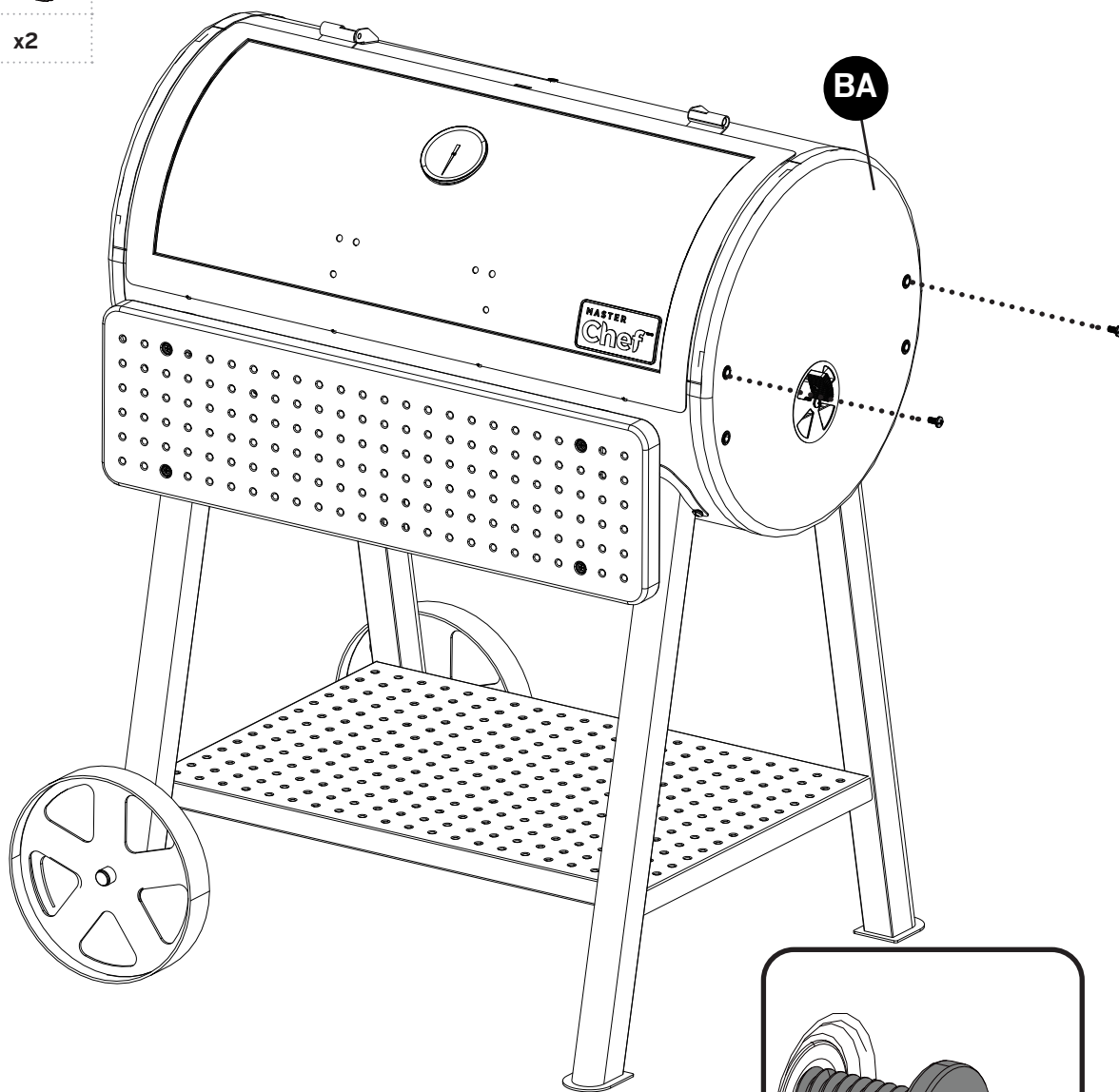
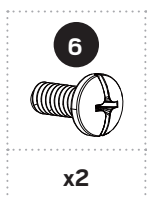
5

A



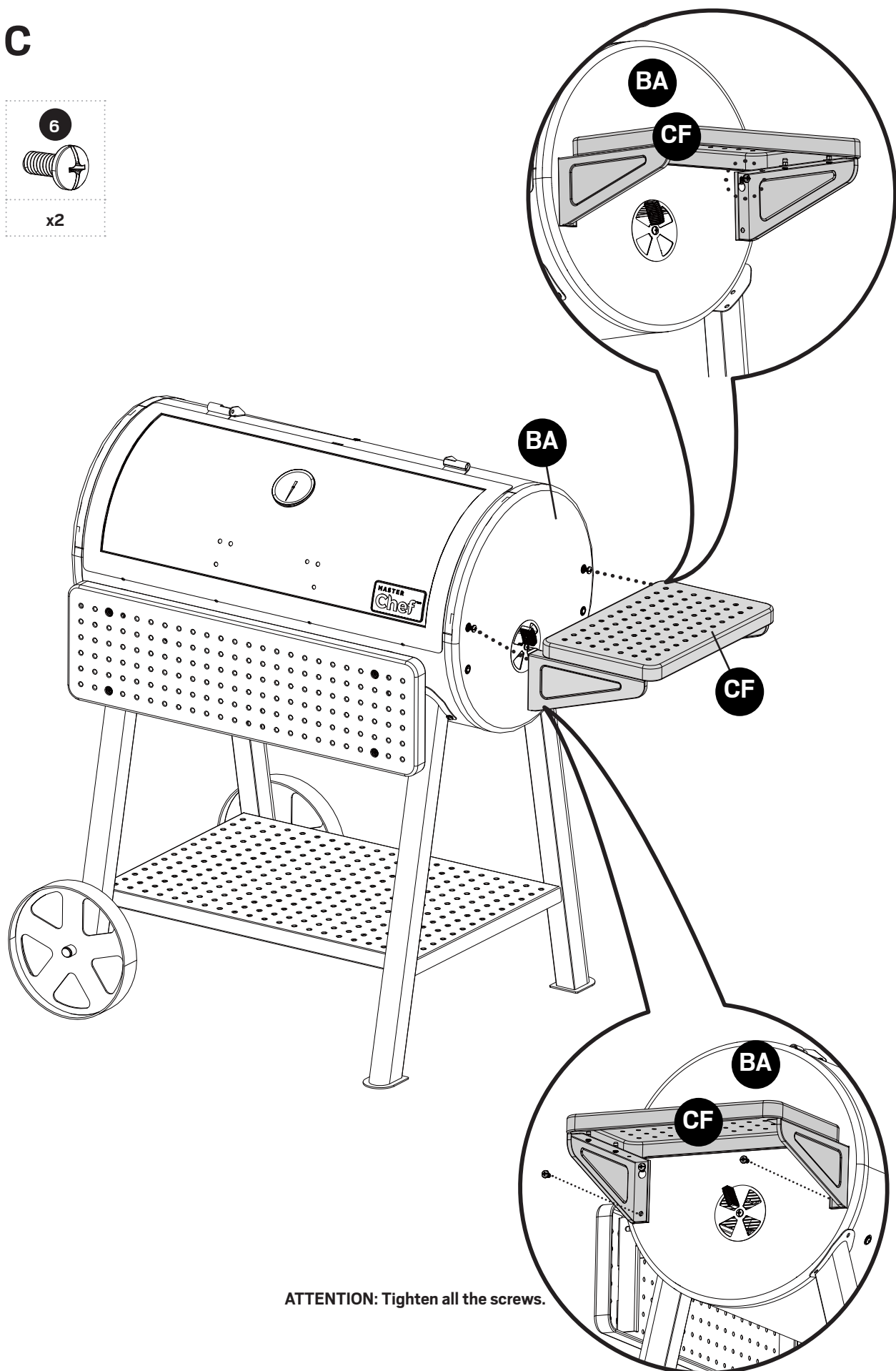
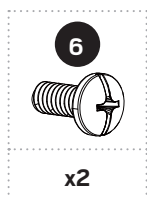
5

B



5

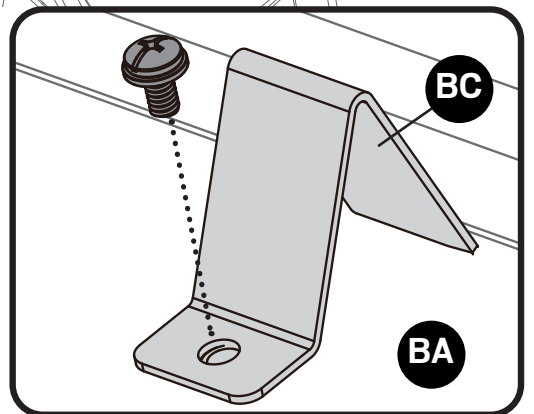
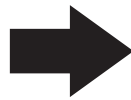
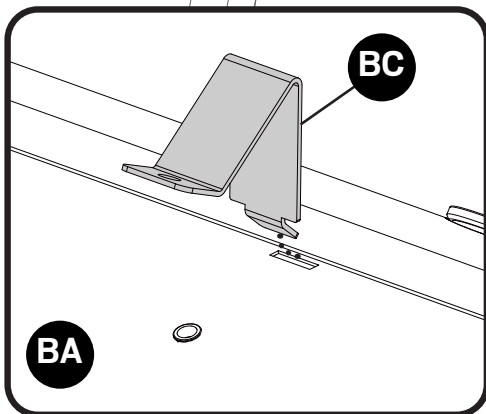
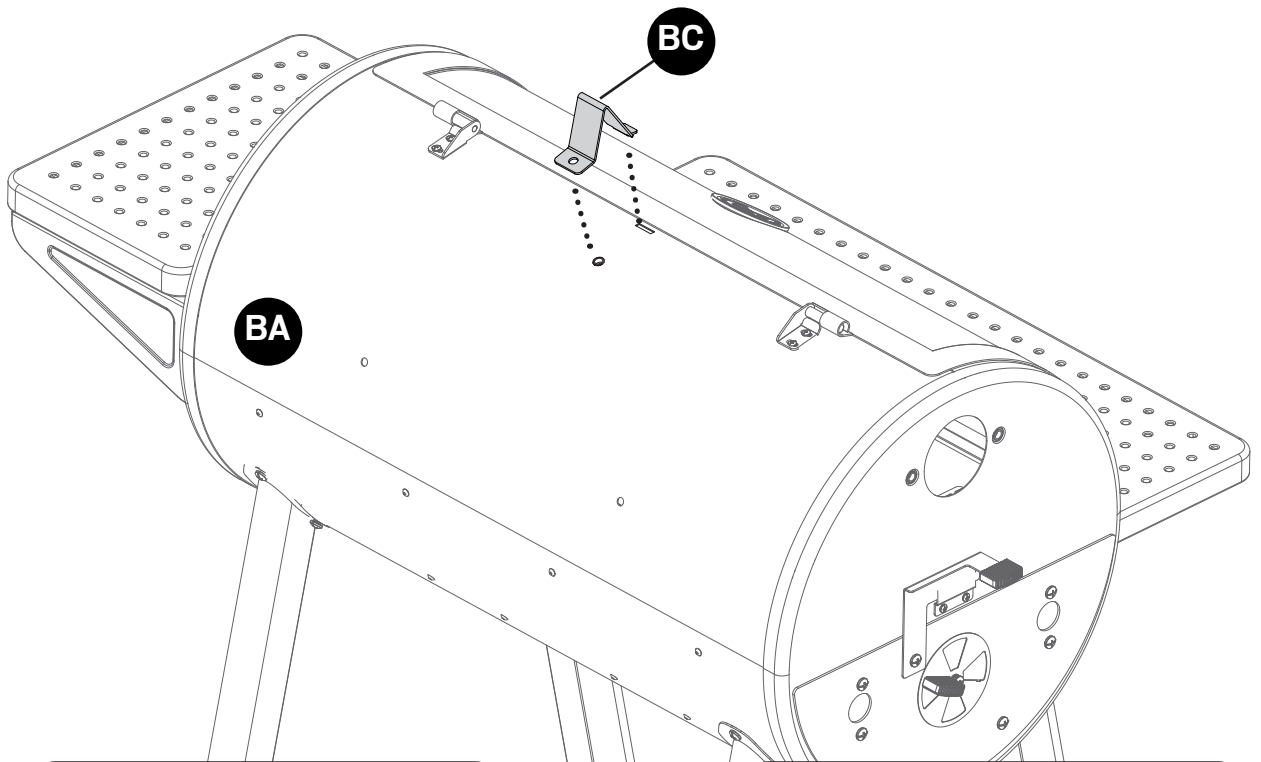
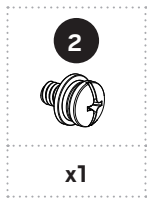
C



ATTENTION: Tighten all the screws.

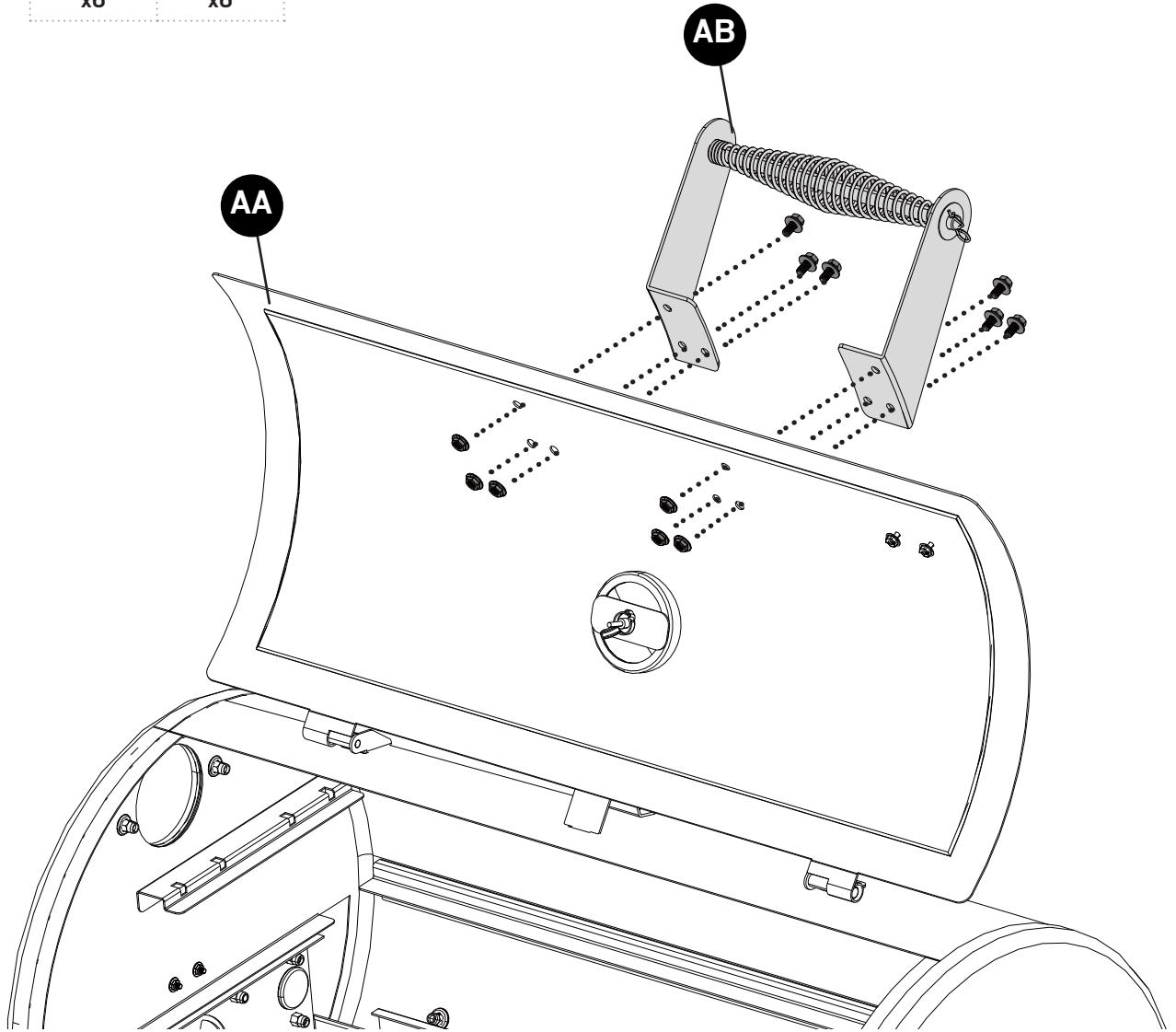
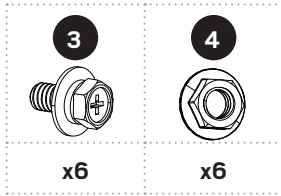
ASSEMBLY INSTRUCTIONS

6

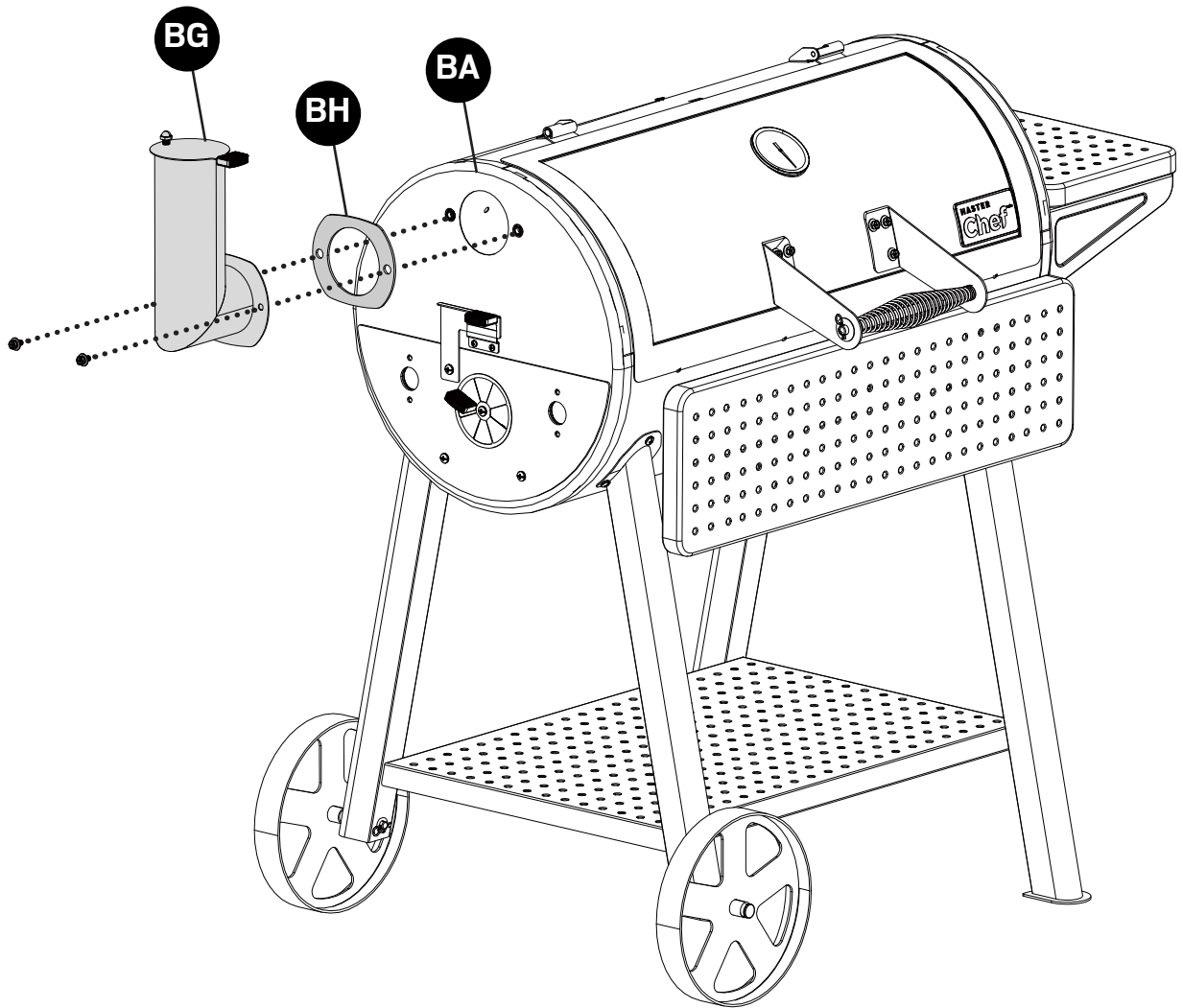
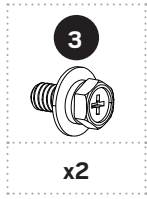


ASSEMBLY INSTRUCTIONS

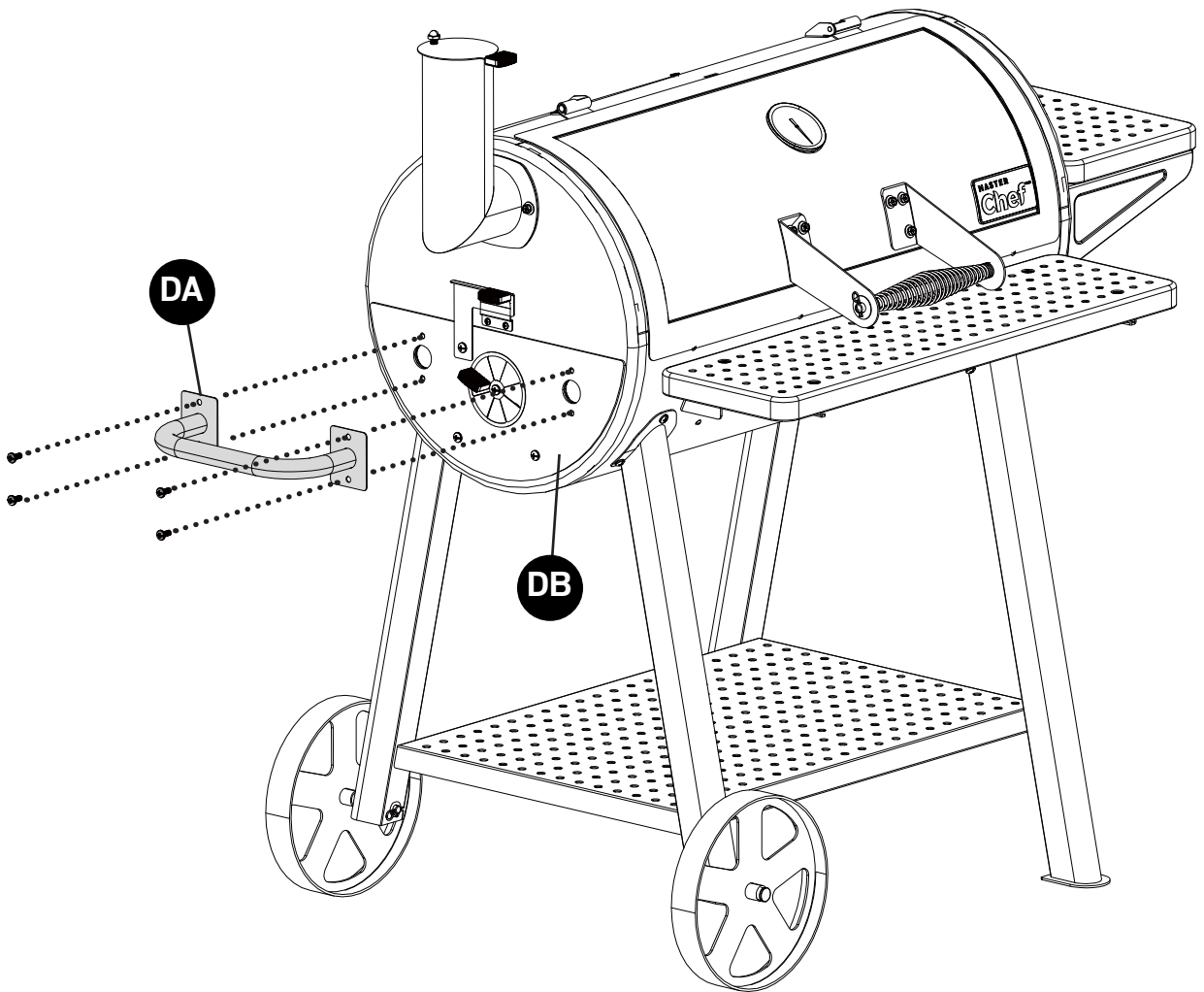
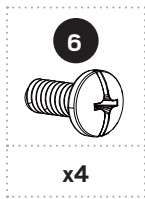
7



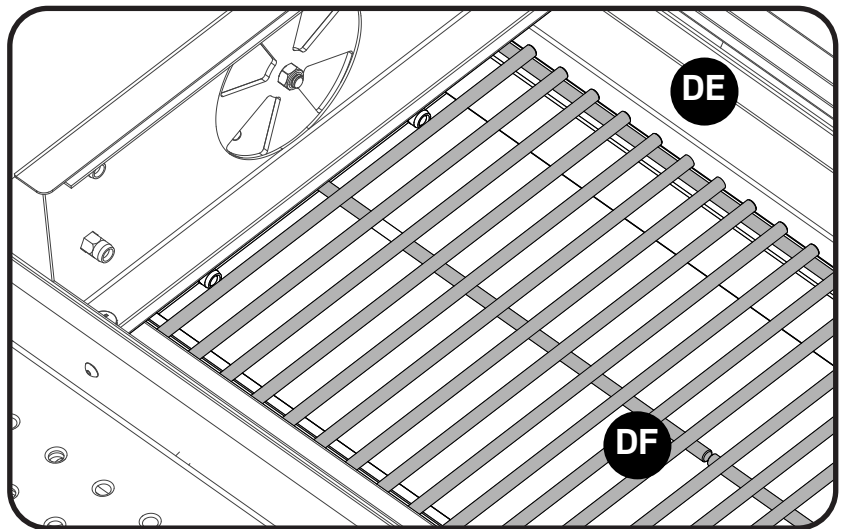
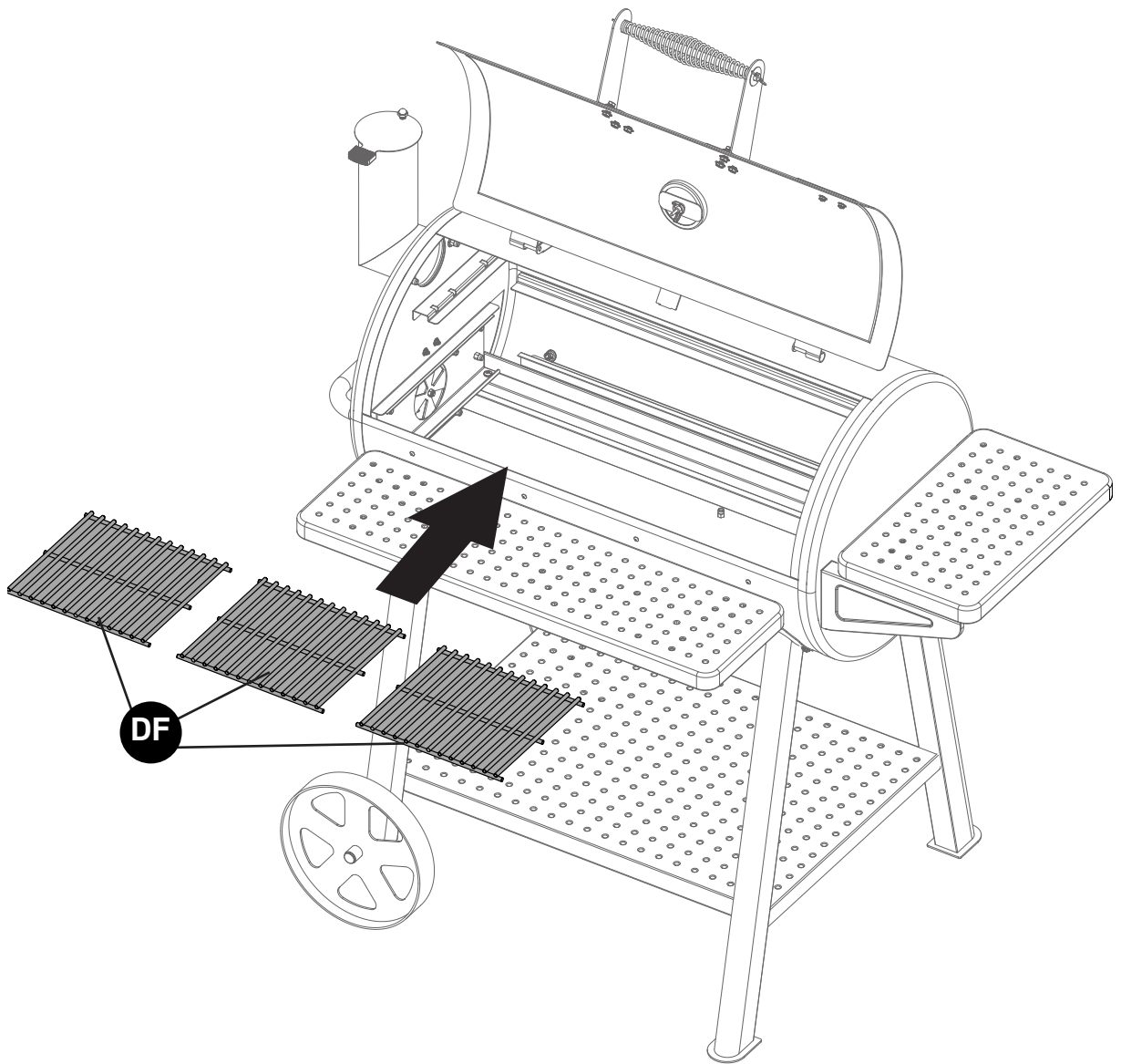
8



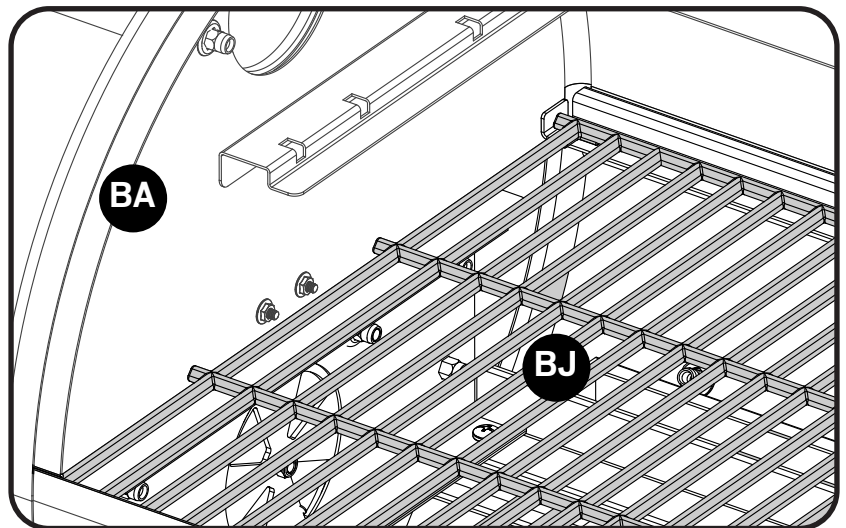
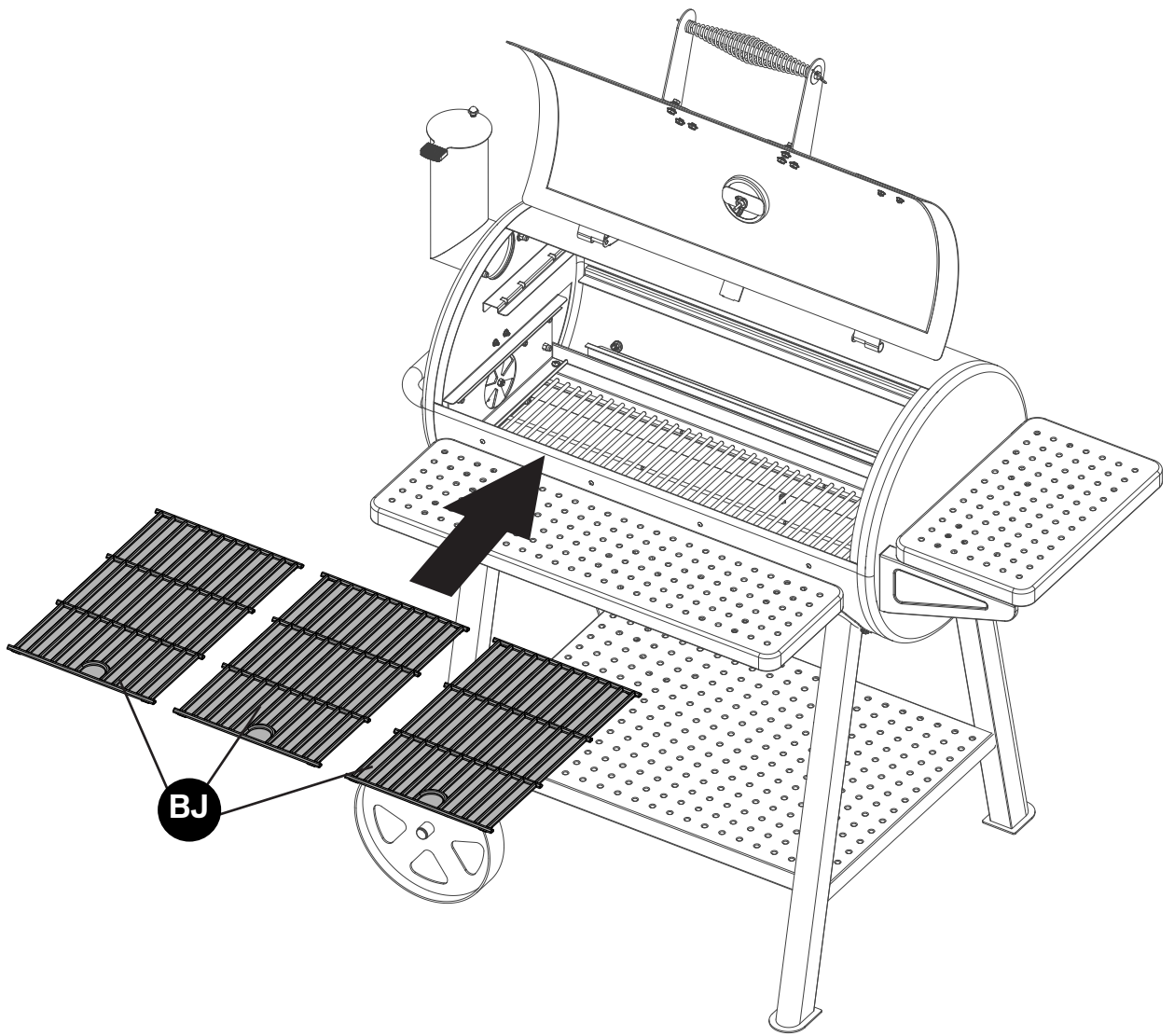
9



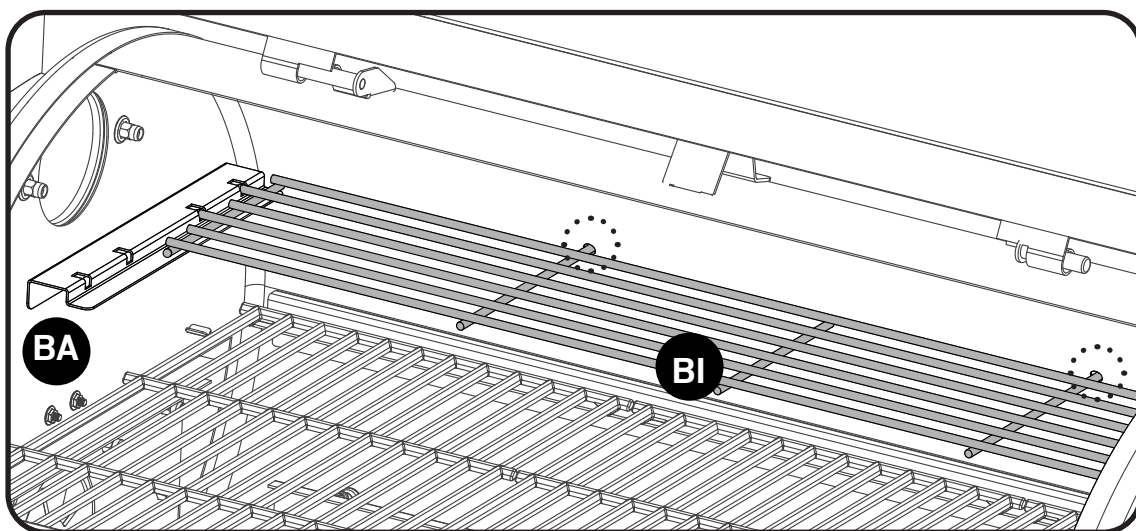
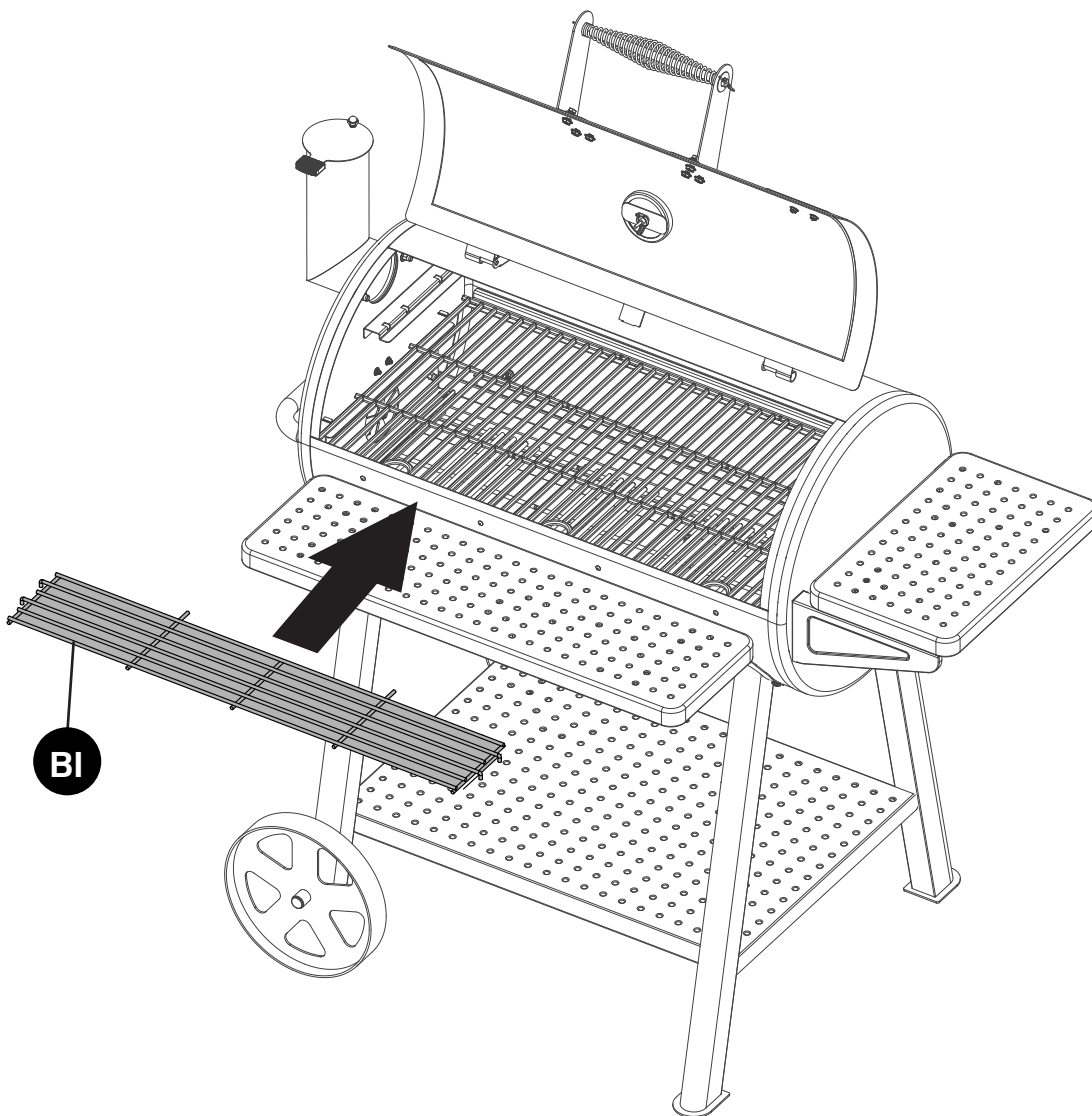
10



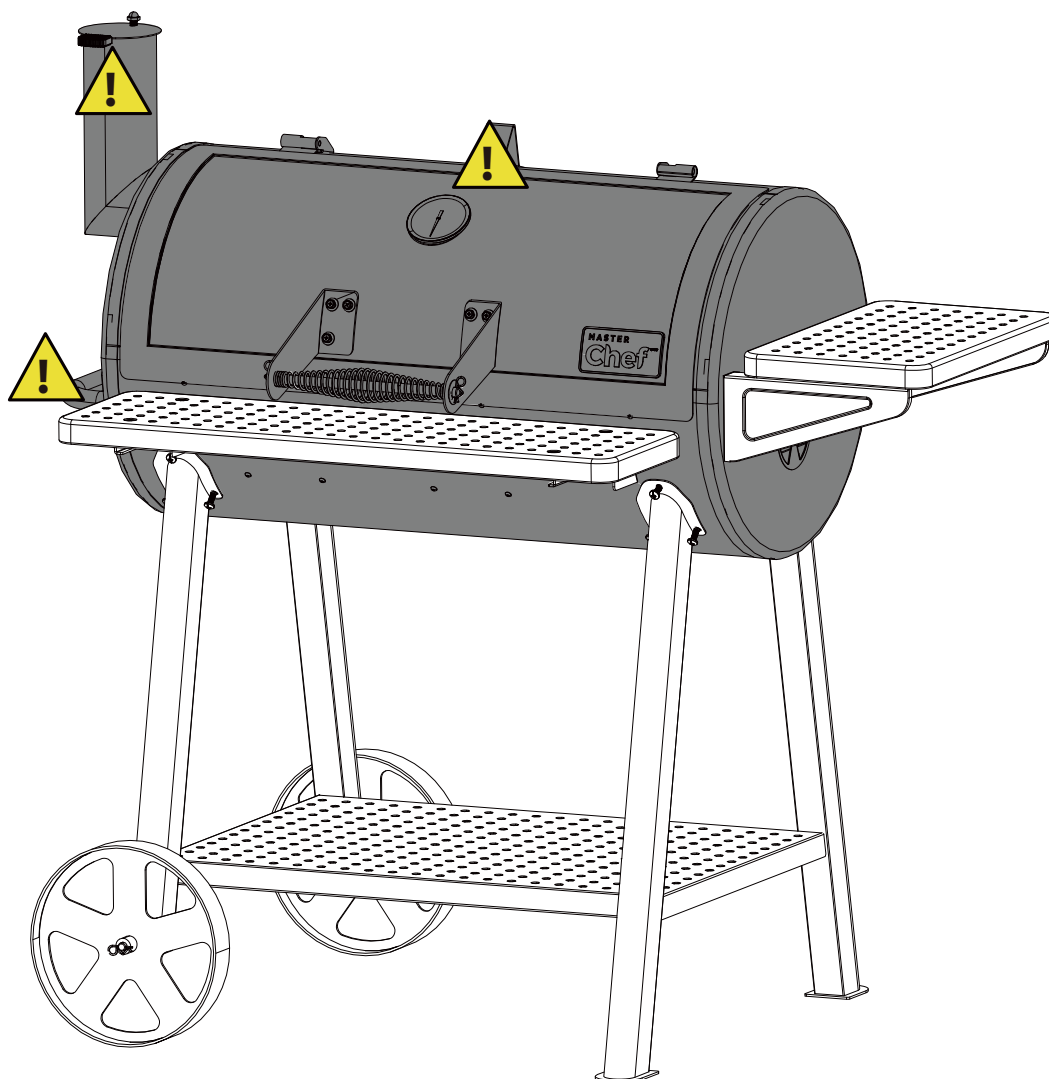
11



12



! WARNING: HOT SURFACES



CAUTION:

- AVOID BURNS.
 - DO NOT TOUCH WHEN CHARCOAL BARREL IS IN USE.
 - EXTREMELY HOT SURFACE.
- * *SHADED AREAS BECOME EXTREMELY HOT WHEN IN USE.*

MASTER
Chef^{TM/MC}

Visit **www.masterchefbbqs.com**
to complete product registration.

Master Chef® Customer Service
1-855-453-2150

Trileaf Distribution Trifeuil
Toronto, Ontario M4S 2B8