

MASTER  
**Chef**<sup>TM/MC</sup>



**DISCOVER 5-BURNER STAINLESS STEEL  
PROPANE BARBECUE WITH SIDE BURNER  
Assembly Manual**

**085-0206-0 / G49302  
1 YEAR LIMITED WARRANTY**

**READ AND SAVE MANUAL FOR FUTURE REFERENCE.**

Assemble your grill immediately.  
Missing or damaged parts claims must be submitted within 30 days of purchase date.

**For product inquiries, parts, warranty and troubleshooting support,  
please call 1-855-453-2150.**



ANS Z21.58-2022 / CSA 1.6-2022  
Outdoor Cooking Gas Appliances.



ANS Z21.58-2022 / CSA 1.6-2022  
Outdoor Cooking Gas Appliances.

Master No. 211648  
Manual Revision #: 2025.03.04 JC



**HEAVY ARTICLE NEEDS 2 TO LIFT  
THIS MANUAL MUST REMAIN WITH THE PRODUCT AT ALL TIMES**

To order non-warranty replacement parts or accessories, or to register your warranty,  
please visit us on the web at  
**[www.masterchefbbqs.com](http://www.masterchefbbqs.com)**

**▲ CAUTION**

Beware of sharp edges. Wear gloves when assembling your barbecue. Requires two people to complete the assembly process.

**▲ CAUTION**

Read and follow all safety statements, assembly instructions, use and care directions before attempting to assemble and cook.

**▲ INSTALLER OR ASSEMBLE /CONSUMER**

This manual should be kept with the barbecue at all times.

**▲ WARNING**

Failure to follow all of the manufacturer's instructions could result in hazardous fires, explosions, property damage, or serious personal injury or even death.

Follow all leak check procedures carefully prior to operation of barbecue, even if barbecue was dealer assembled. Do not try to light this barbecue without reading the Lighting Instructions section of the owner's manual.

**▲ DANGER**

**If you smell gas:**

- a. Shut off gas to the appliance**
- b. Extinguish any open flame**
- c. Open lid**
- d. If odour continues, keep away from the appliance and immediately call your gas supplier or your fire department**

**▲ WARNING**

- 1. Do not store or use gasoline or other flammable liquids or vapours in the vicinity of this or any other appliance.**
- 2. An LP cylinder not connected for use shall not be stored in the vicinity of this or any other appliance.**

**▲ WARNING**

IN DIRECT SUN, AND IN OPERATION, YOUR BARBECUE'S STAINLESS STEEL AND PAINTED STEEL PARTS CAN BECOME VERY HOT.

**THIS BARBECUE IS FOR OUTDOOR USE ONLY.  
CONTACT CALL CENTRE IF ANY PARTS ARE MISSING.  
1-855-453-2150**

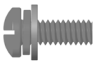










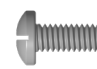

# HARDWARE PACK

## TOOLS NEEDED FOR ASSEMBLY

- #2 Star-head screwdriver (long and short)
- ¼" Slotted screwdriver (long and short)
- Adjustable wrench
- Pliers

KEY #	DESCRIPTION	PART NUMBER	QUANTITY
1	1/4" x 18 Screw Assembly	G560-3900-9091	2
2	φ6.5 Aluminum Washer	G466-0042-9000	6
3	1/4" - 20UNC x 13 Screw	20120-13013-036	38
4	NO.10 - 24UNC x 13 Screw	20124-10013-036	8
5	ST4.2 x 8 Tapping screw	24200-42008-136	12
6	NO.10 - 24UNC x 23 Screw	20124-10023-036	2
7	NO.10 - 24UNC Nut	31224-10000-036	2
8	Axle Spacer	G426-0008-9088	2
9	Hitch Pin	G306-0005-9088	2
10	Washer (Wheel)	40300-08000-036	2
11	NO.5 - 40 UNC x 10 Screw	20124-05010-036	3
12	NO.8-32UNC x 10 Screw	20132-08010-250	2
13	Wing Nut	33300-08000-032	1

**⚠ Caution:**  
Sheet metal can cause injury. Wear gloves when installing the grill.

<p><b>1</b></p>  <p>1/4" X 18 Screw Assembly X 2</p>	<p><b>2</b></p>  <p>φ6.5 Aluminum Washer X 6</p>	<p><b>3</b></p>  <p>1/4" - 20UNC X 13 Screw X 38</p>
<p><b>4</b></p>  <p>NO.10 - 24UNC X 13 Screw X 8</p>	<p><b>5</b></p>  <p>ST4.2 X 8 Tapping screw X 12</p>	<p><b>6</b></p>  <p>NO.10 - 24UNC X 18 Screw X 2</p>
<p><b>7</b></p>  <p>NO.10 - 24UNC Nut X 2</p>	<p><b>8</b></p>  <p>Axle Spacer X 2</p>	<p><b>9</b></p>  <p>Hitch Pin X 2</p>
<p><b>10</b></p>  <p>Washer (Wheel) X 2</p>	<p><b>11</b></p>  <p>NO.5 - 40 UNC X 10 Screw X 3</p>	<p><b>12</b></p>  <p>NO.8-32UNC X 10 Screw X 2</p>
<p><b>13</b></p>  <p>Wing Nut X 1</p>		

**BEFORE ASSEMBLING THIS BARBECUE, READ THE INSTRUCTIONS CAREFULLY.**

Assemble the barbecue on a flat, clean surface. The grill is heavy; two people are recommended to complete assembly.

## PARTS LIST (PROPANE) FOR 085-0206-0 / G49302

KEY #	QUANTITY	DESCRIPTION	PART NO.
AA	1	Top lid assembly	G493-3800-01
AB	1	Thermometer	G492-0013-01
AC	1	Top lid handle	G492-0012-01
AD	2	Top lid handle bezel	G492-0015-01
AE	4	Lid bumpers	G527-0002-01
AF	2	Top lid screws	G425-0006-01
BA	1	Burner box assembly	G493-0300-01
BB	5	Main burner	G492-0400-01
BC	1	Electrode set, main burner	G492-0008-01
BD	4	Carryover assembly	G426-0003-01
BE	5	Flame tamer	G492-0011-01
BF	2	Cooking grate A	G426-0005-01
BG	1	Warming rack	G426-0002-01
BH	1	Heat shield	G426-5502-01
BI	1	Grease cup	G430-0033-01
BJ	1	Grease cup hook	G305-0043-01
BK	1	Cooking grate B	G426-0004-01
CA	1	Control panel	G493-0400-01
CB	6	Control knob	G492-0010-01
CC	1	Ignitor	G432-003D-01
CD	1	Manifold assembly	G493-3700-01
CE	1	Side burner valve with regulator	G493-4100-01
CF	1	Side burner metal hose	G430-2403-01
DA	1	Side shelf table, right	G492-1500-01
DB	1	Side shelf support brace, right	G425-5201-01
DC	1	Side shelf table, left	G493-1100-01
DD	1	Side shelf support brace, left	G425-5301-01
DE	3	Tool hook	G429-0007-01
DF	1	Side shelf control panel, left	G493-0004-01
DG	1	Side burner drip pan	G421-9102-01
DH	1	Side burner	G493-1200-01
DI	1	Electrode set, side burner	G431-0034-01
DJ	1	Side burner cooking grate	G426-6001-01
DK	1	Side burner lid	G430-0018-01
EA	1	Front cart leg with end cap, right	G492-0003-01
EB	1	Rear cart leg with end cap, right	G492-0004-01
EC	1	Lower brace, right	G492-1800-01
ED	1	Tank exclusion wire, right	G492-0018-01
EE	1	Front cart leg with end cap, left	G492-0001-01
EF	1	Rear cart leg with end cap, left	G492-0002-01
EG	1	Lower brace, left	G492-1700-01
EH	2	Upper brace	G492-1600-01
EI	1	Match holder	G401-0079-01
EJ	1	Gas tank support	G492-0017-01
EK	1	Upper back brace	G493-0200-01
EL	1	Lower back brace	G493-0100-01
EM	1	Upper front panel	G493-0002-01
EN	1	Lower front panel	G493-0001-01
EO	2	Tank exclusion wire	G492-0019-01
EP	1	Bottle opener	G492-0014-01
FA	2	Wheel	G437-0037-01
FB	2	Wheel axle	G426-0007-01
FC	2	Feet	G492-0007-01
G1	1	Hardware pack	G493-B002-01
G2	1	Assembly instructions	G493-M002-01
G3	1	Safe use and care manual	G492-M001-02



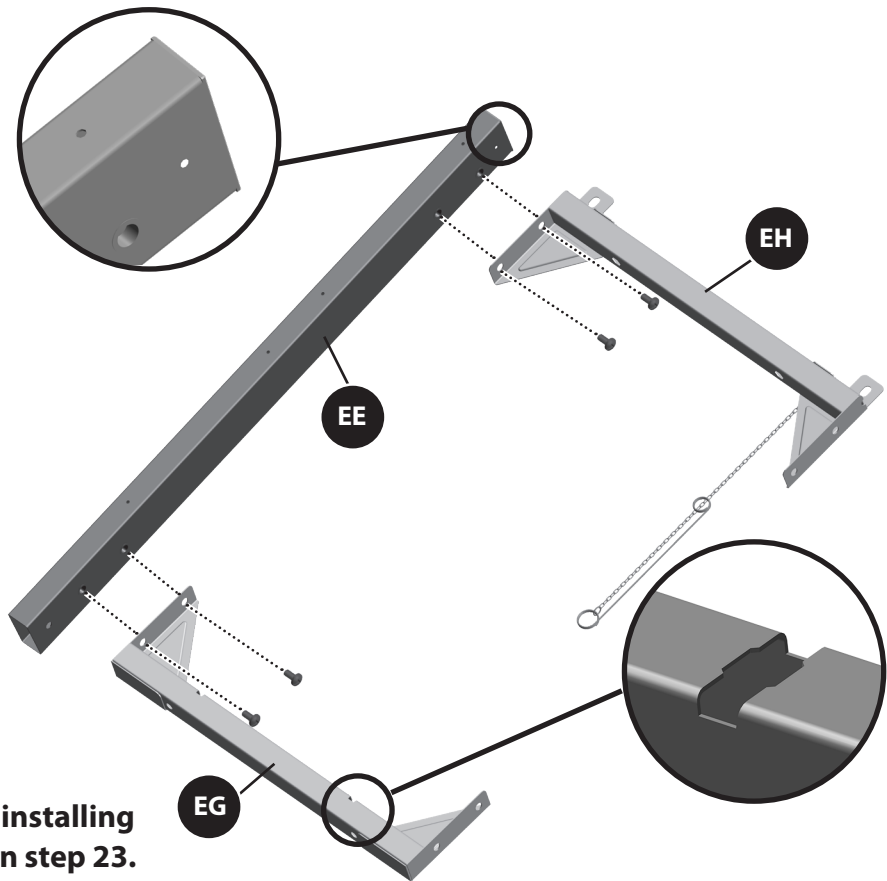
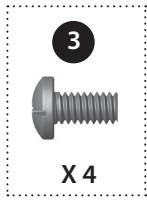


# ASSEMBLY INSTRUCTIONS

# 1

## A

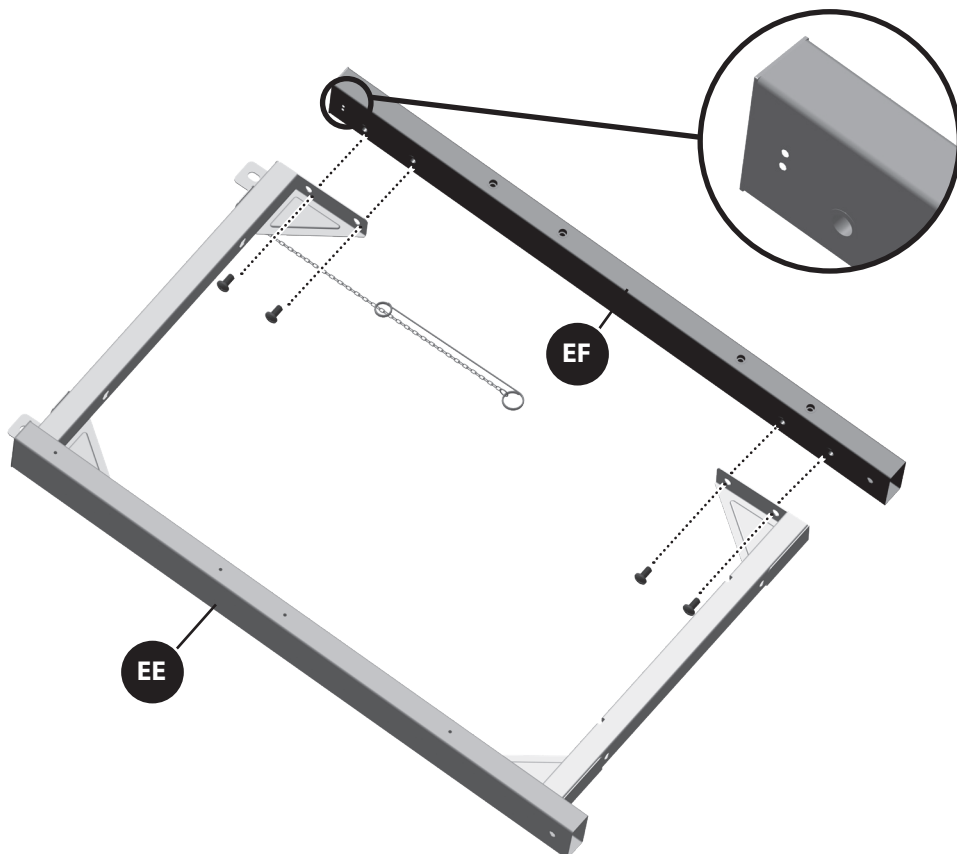
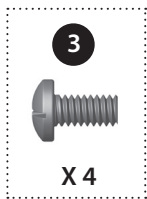
YOU WILL NEED:



**ATTENTION:**  
Part EG is used for installing  
the propane tank in step 23.

## B

YOU WILL NEED:

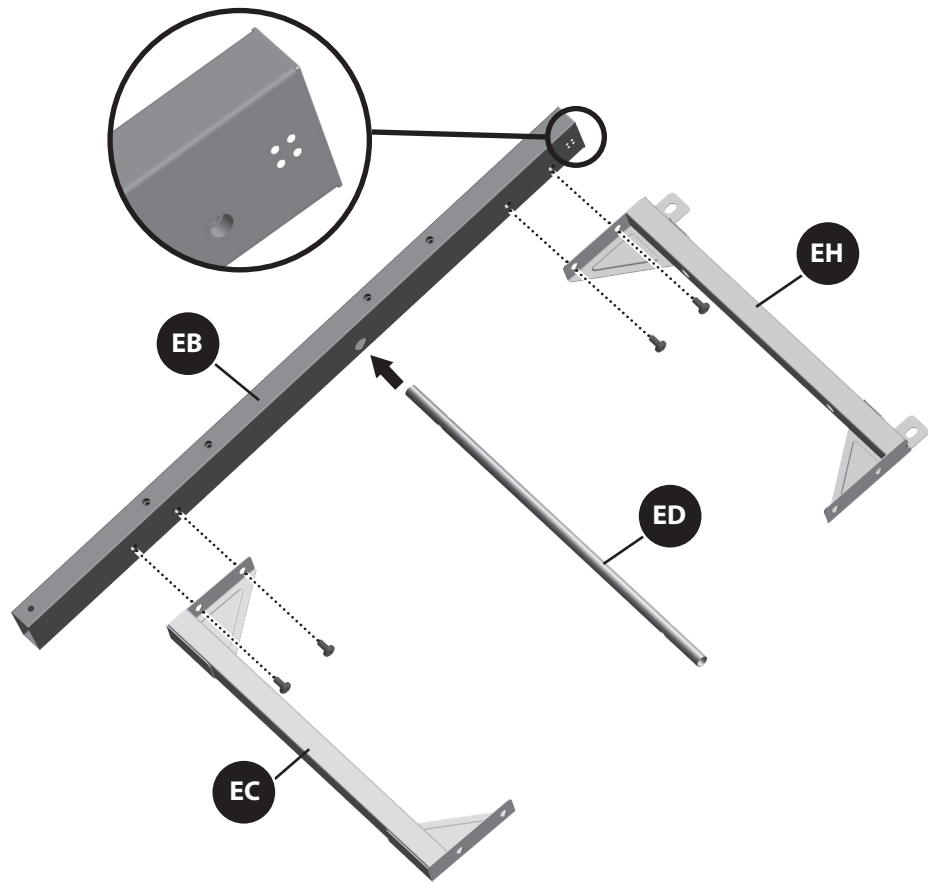
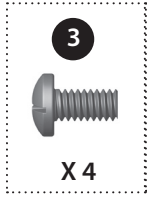


# ASSEMBLY INSTRUCTIONS

# 2

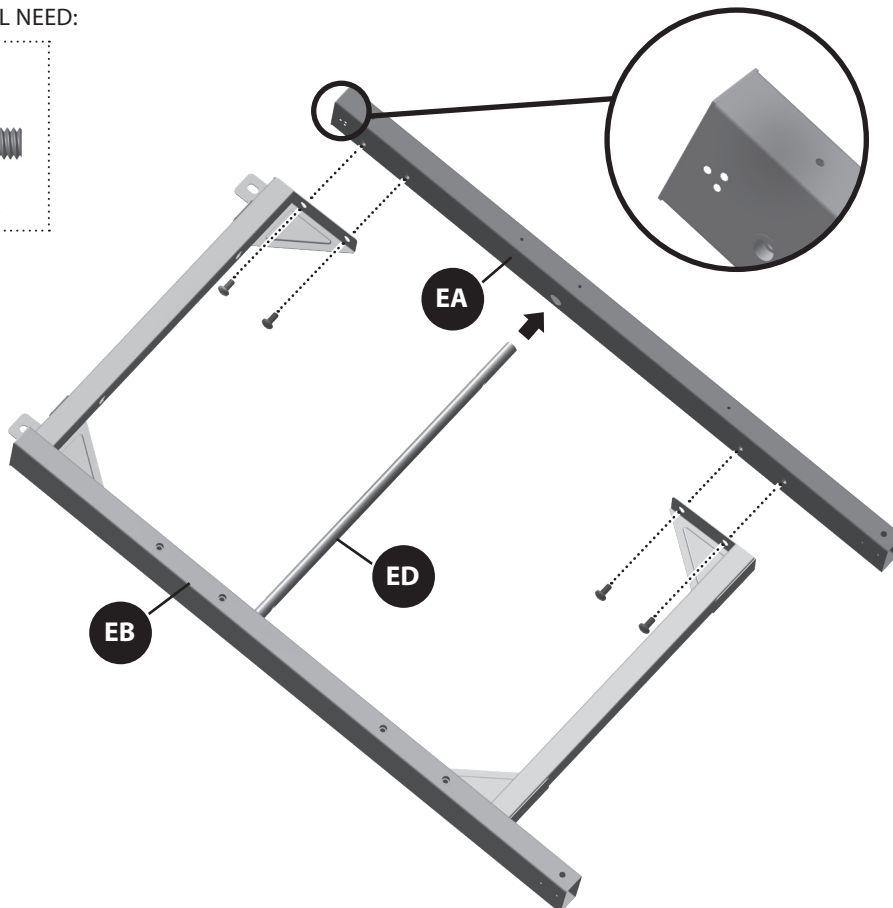
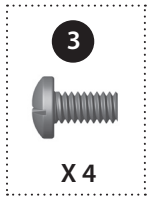
## A

YOU WILL NEED:



## B

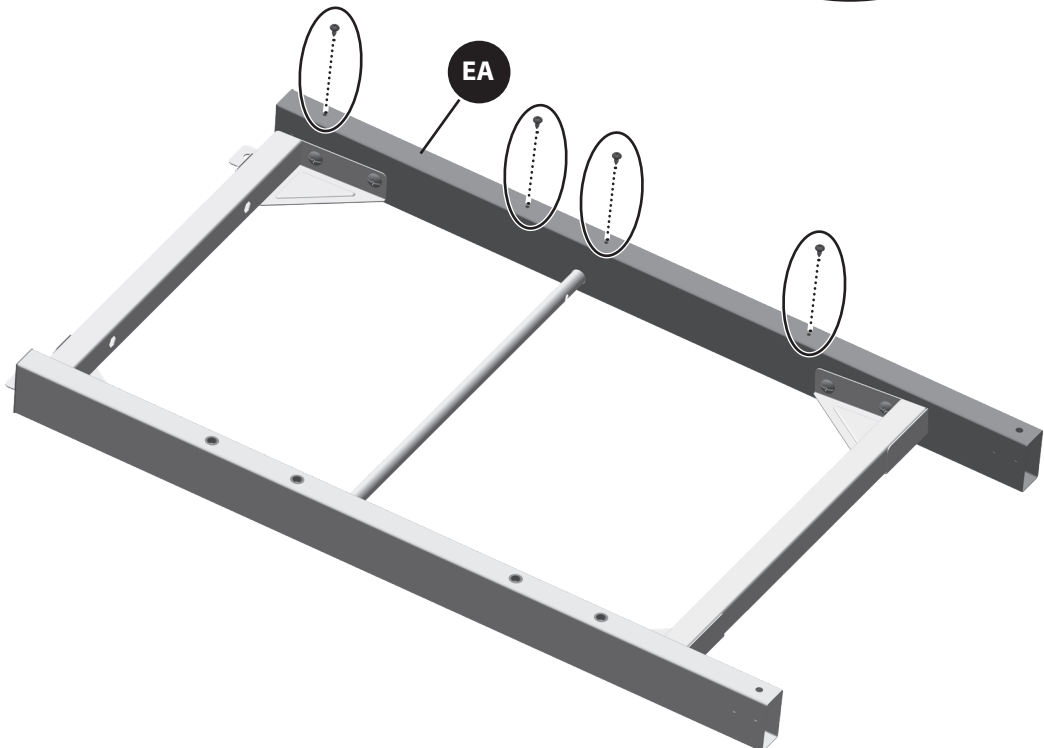
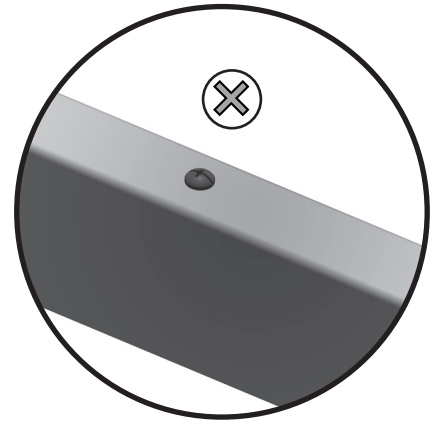
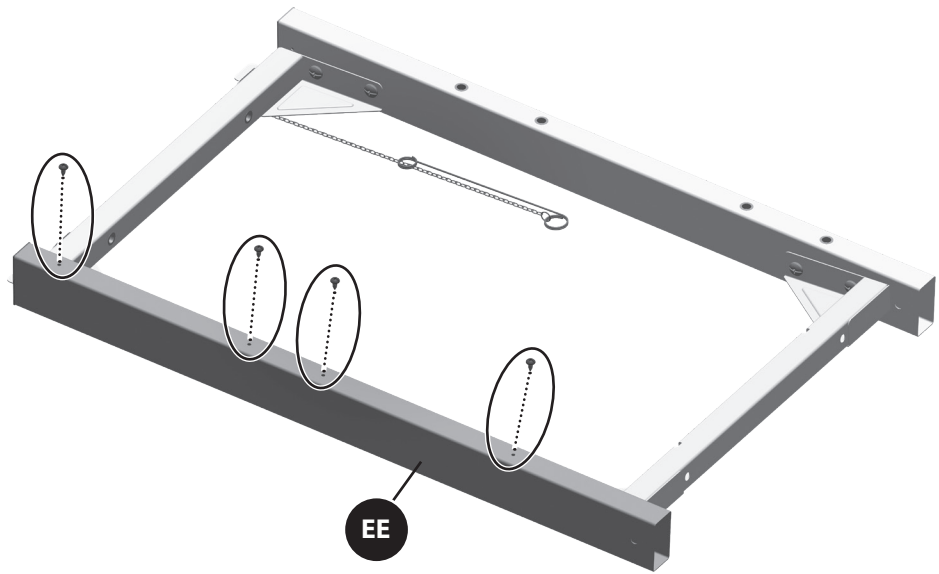
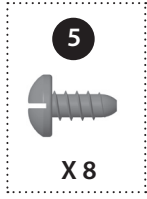
YOU WILL NEED:



# ASSEMBLY INSTRUCTIONS

# 3

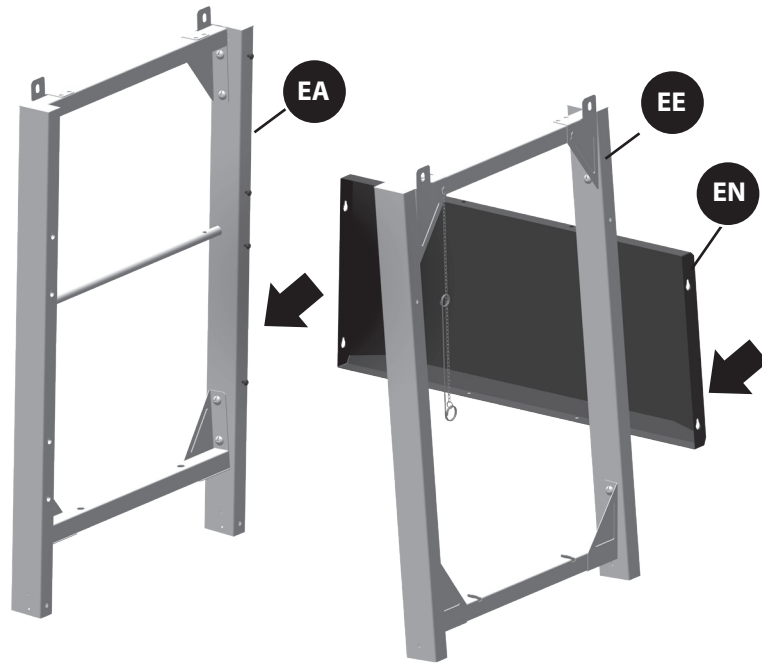
YOU WILL NEED:



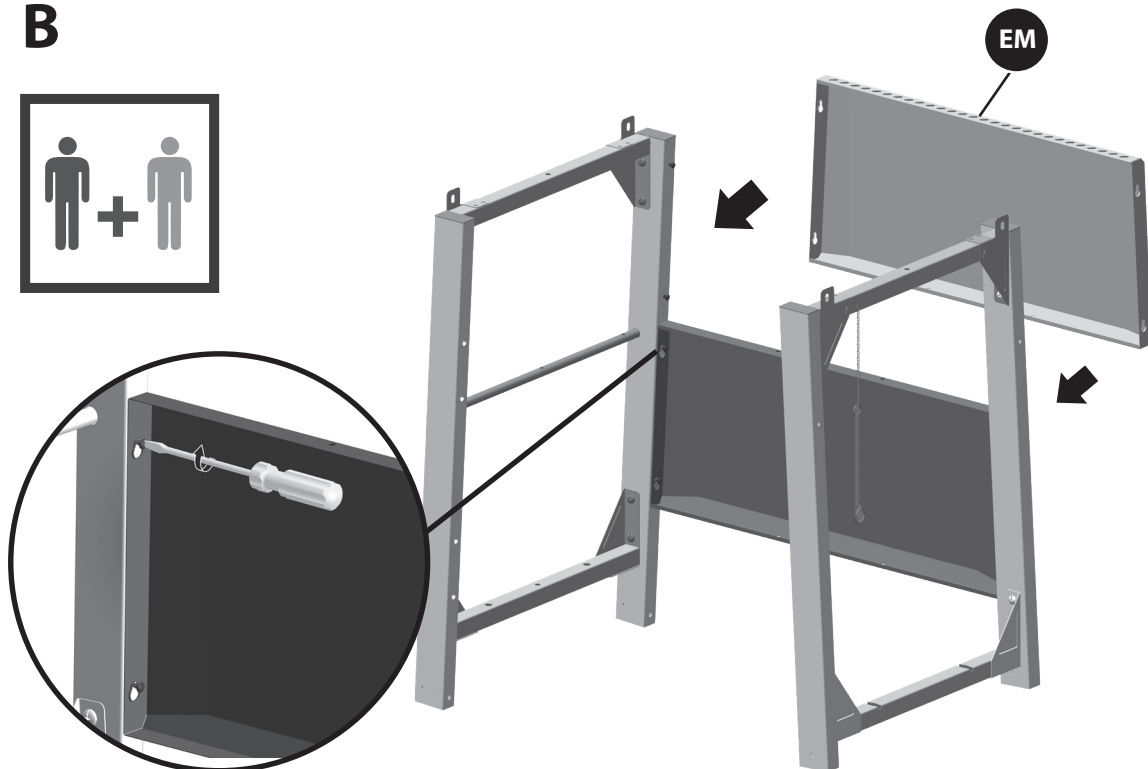
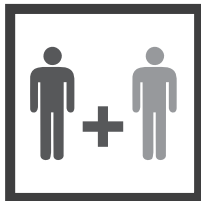
# ASSEMBLY INSTRUCTIONS

# 4

**A** ATTENTION: DO NOT TIGHTEN SCREWS.



**B**



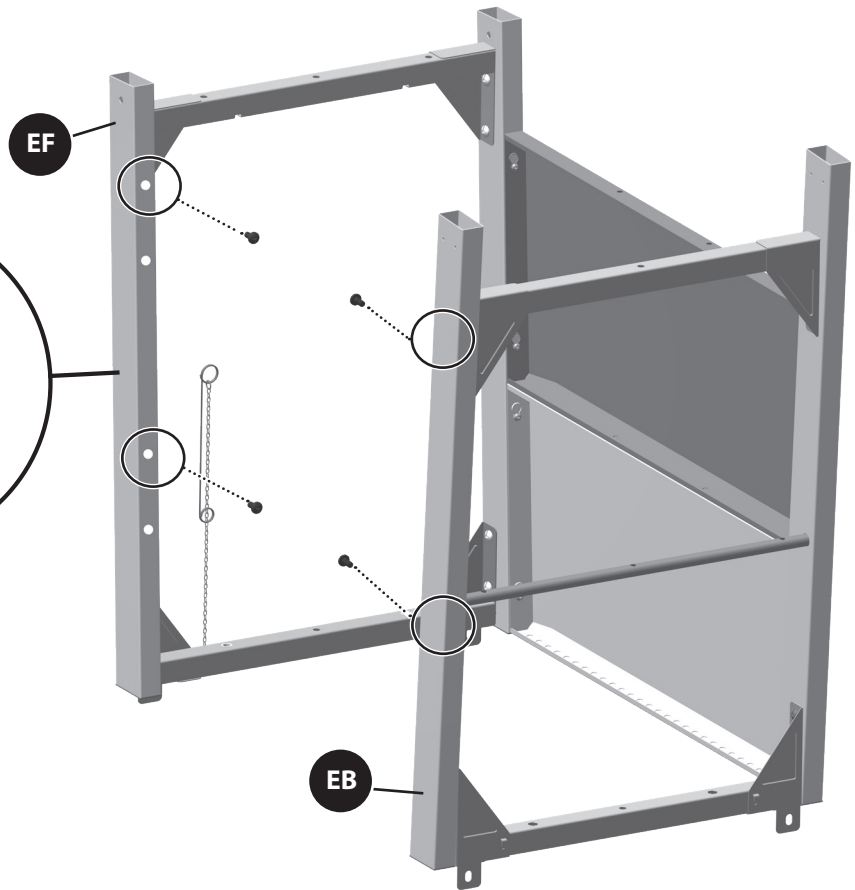
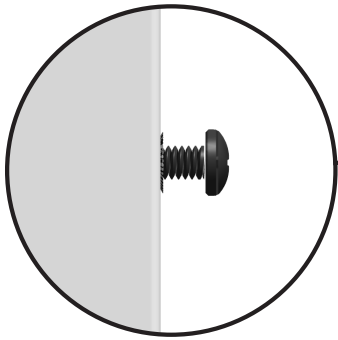
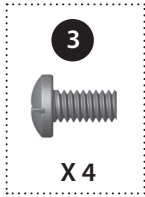
ATTENTION: TIGHTEN ALL SCREWS.

# ASSEMBLY INSTRUCTIONS

# 5

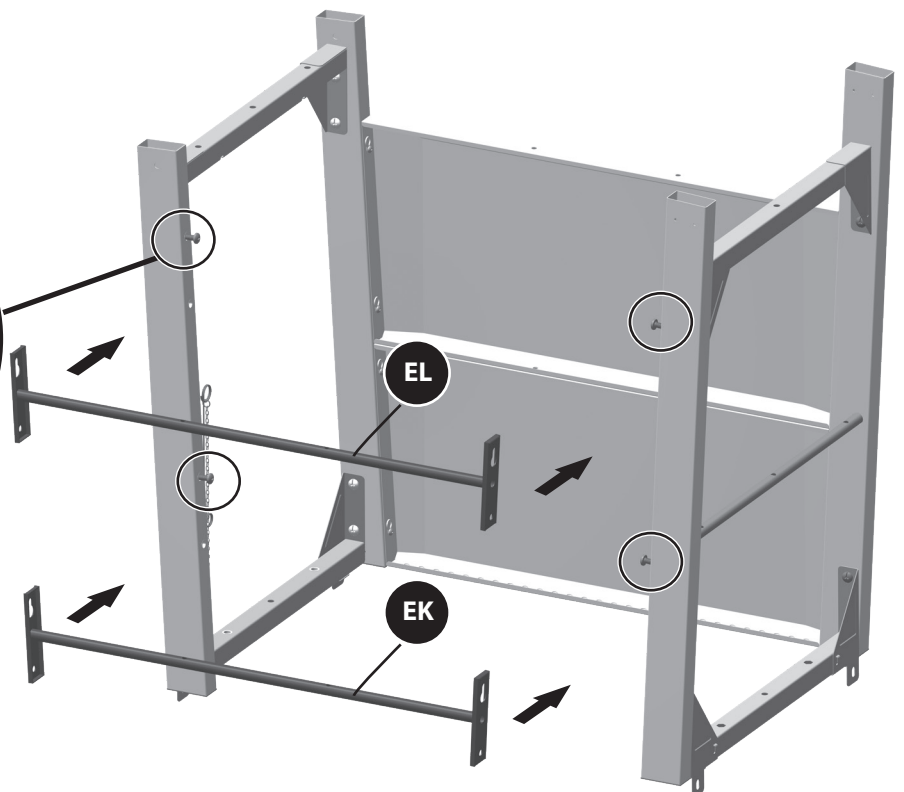
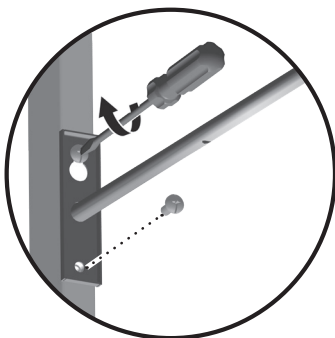
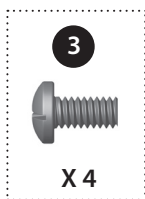
## A

YOU WILL NEED:



## B

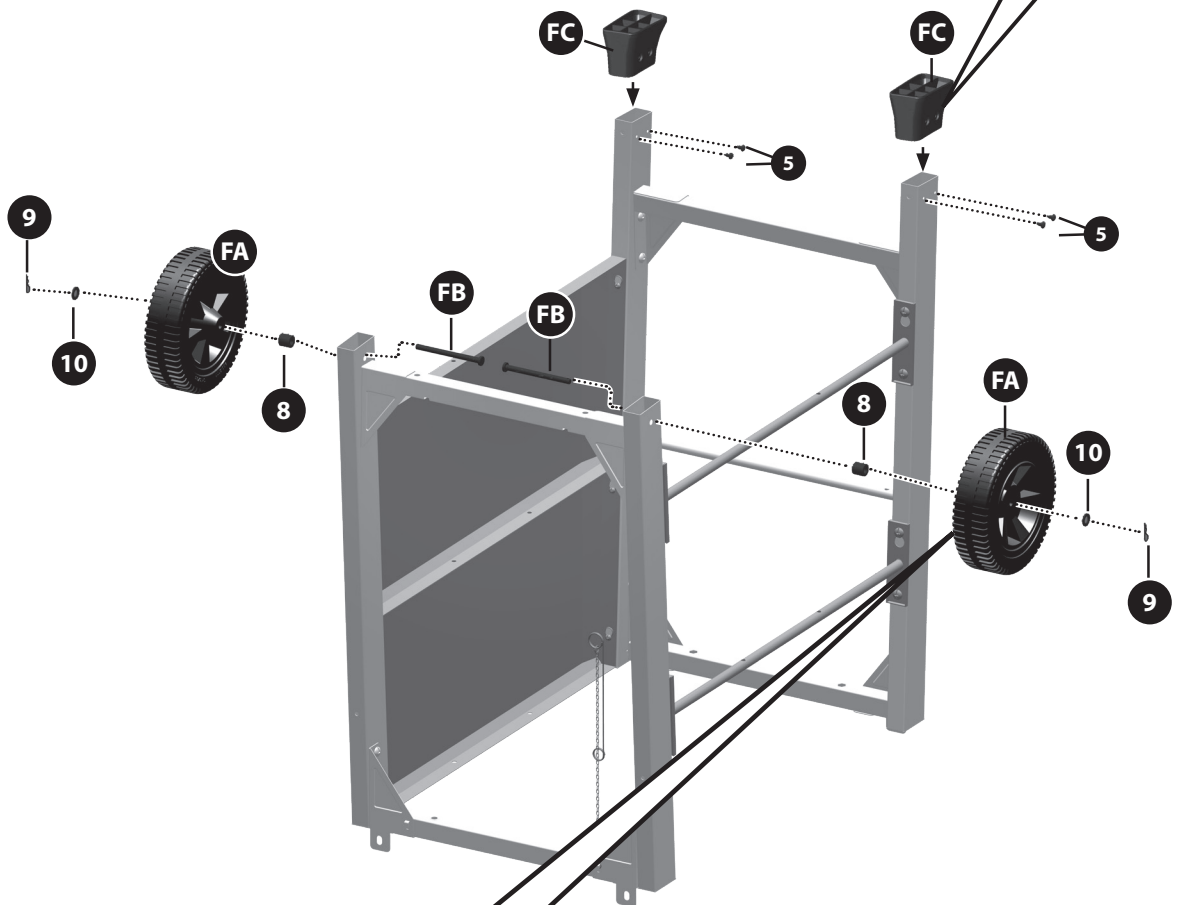
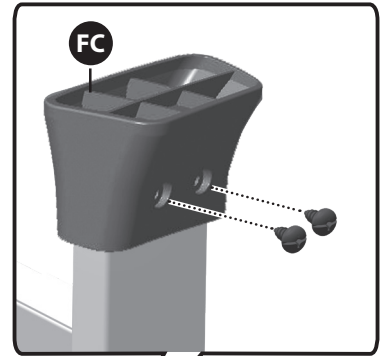
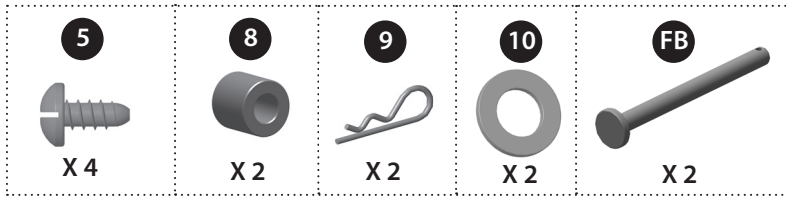
YOU WILL NEED:



# ASSEMBLY INSTRUCTIONS

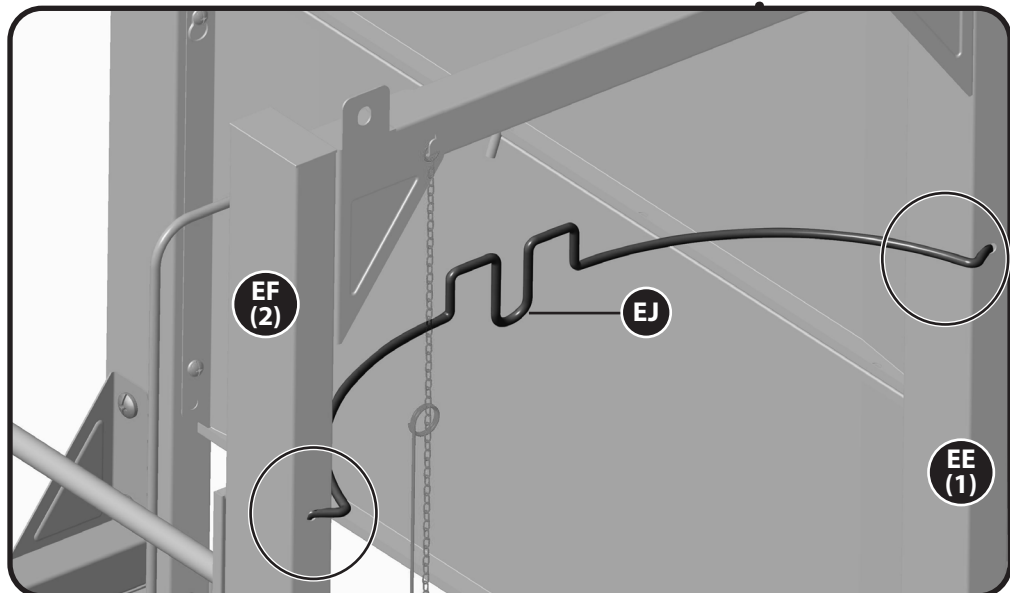
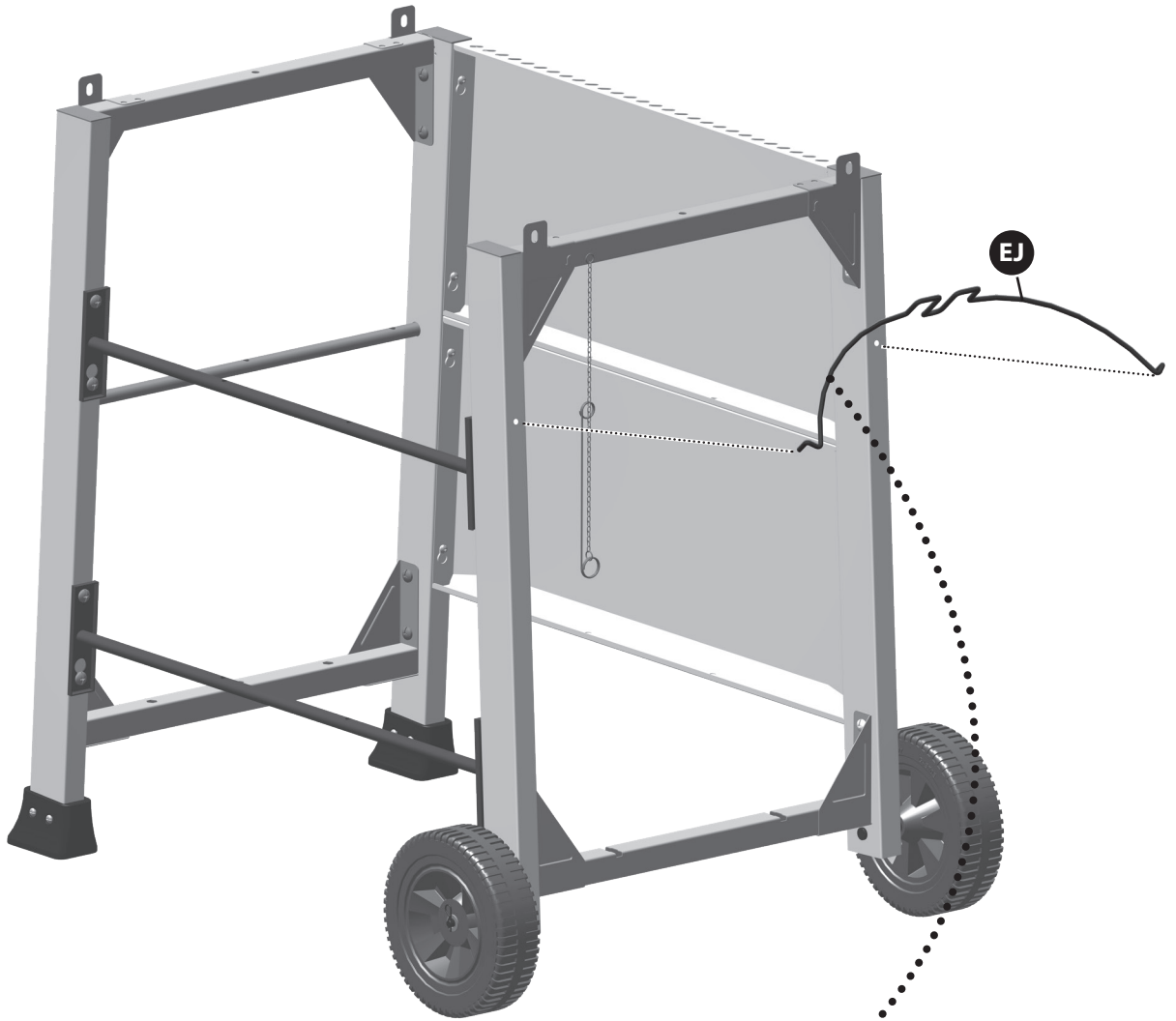
# 6

YOU WILL NEED:



# ASSEMBLY INSTRUCTIONS

# 7

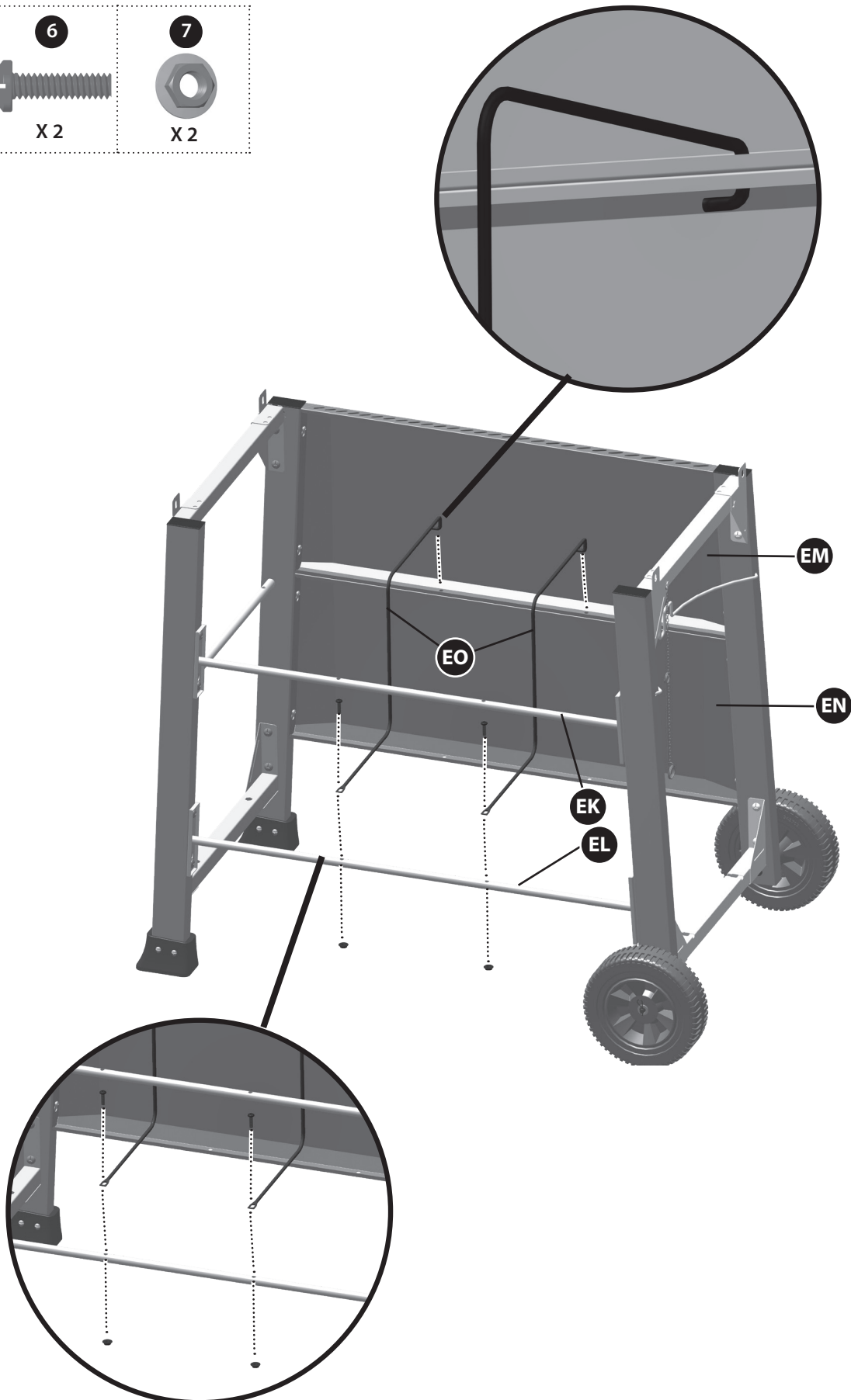
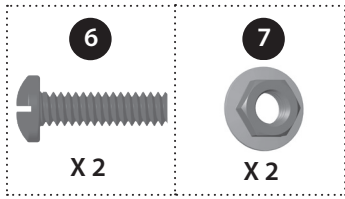




# ASSEMBLY INSTRUCTIONS

# 8

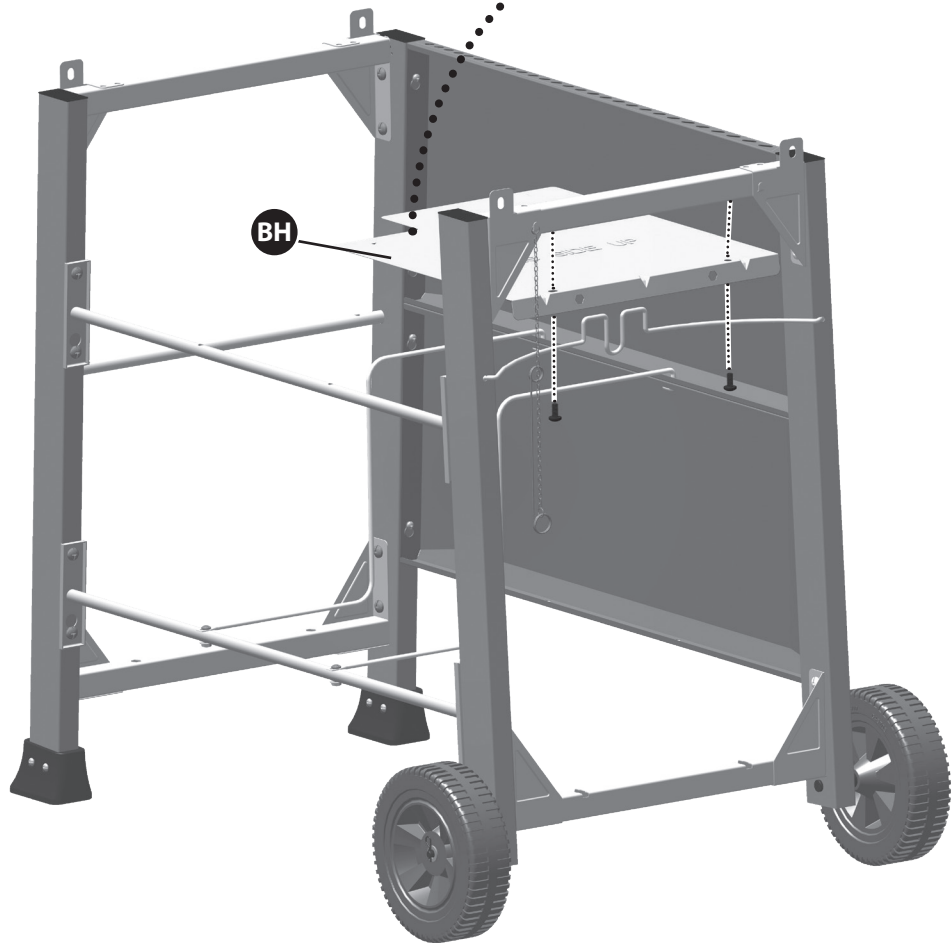
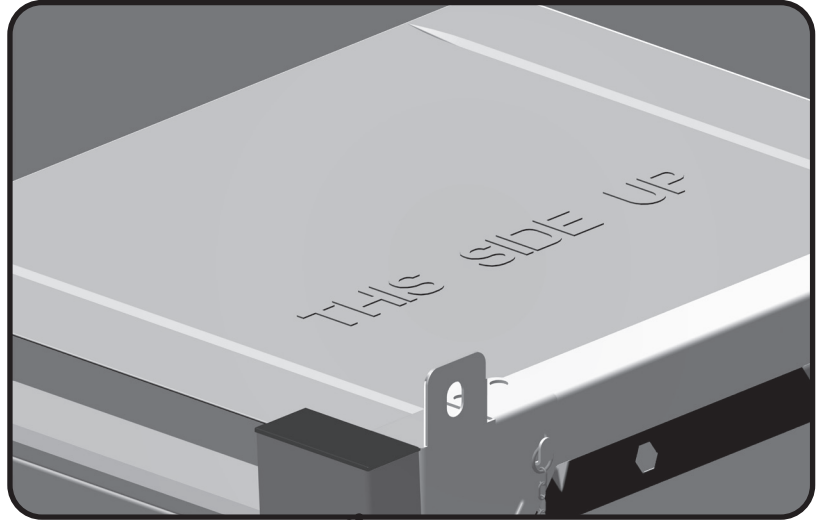
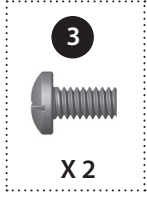
YOU WILL NEED:



# ASSEMBLY INSTRUCTIONS

# 9

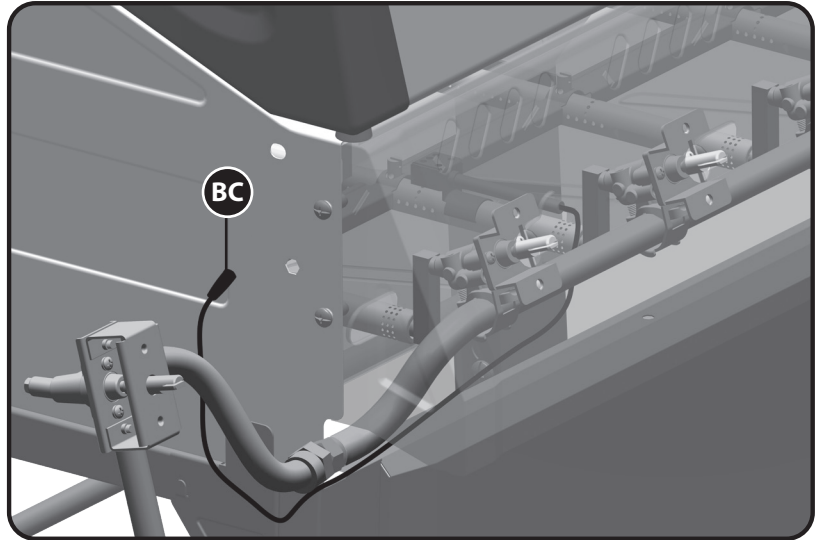
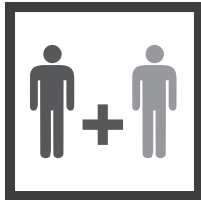
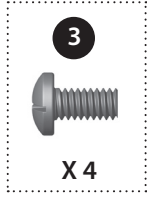
YOU WILL NEED:



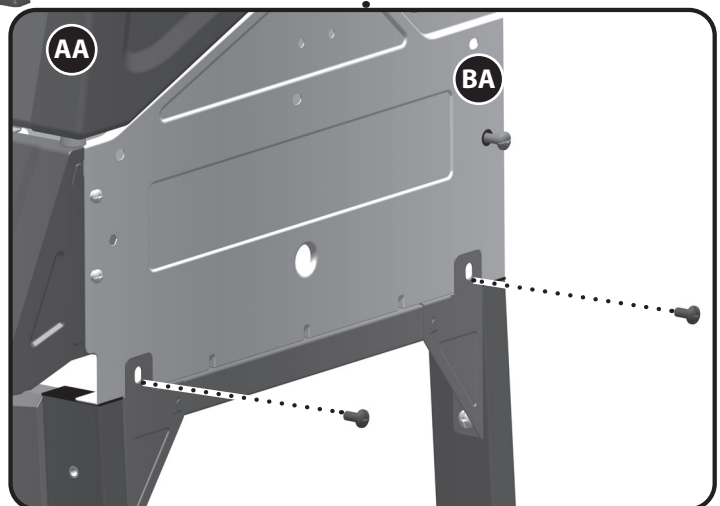
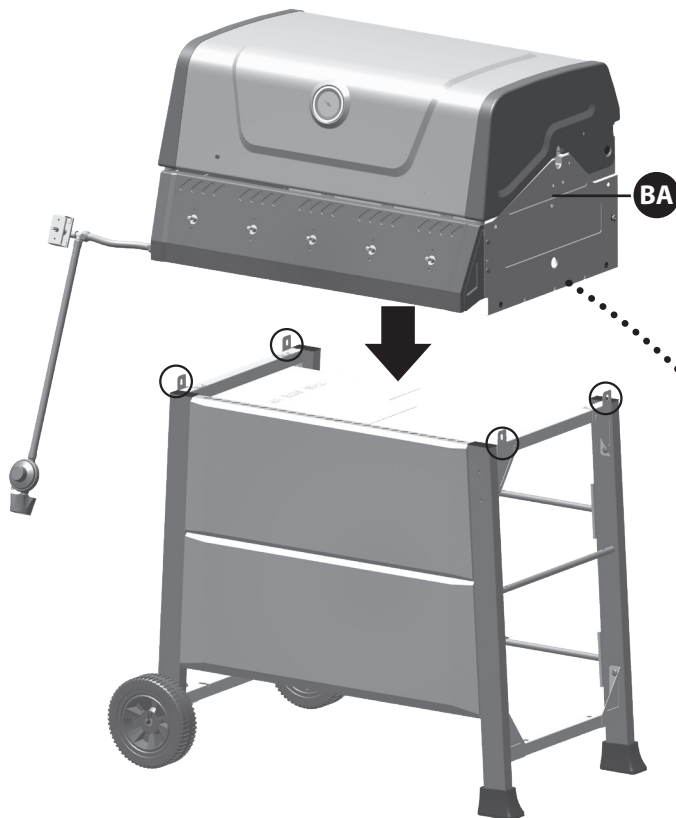
# ASSEMBLY INSTRUCTIONS

# 10

YOU WILL NEED:



**Attention:** Feed the electrode set (BC) attached to the main burner through the hole on the left side of the burner box.



11

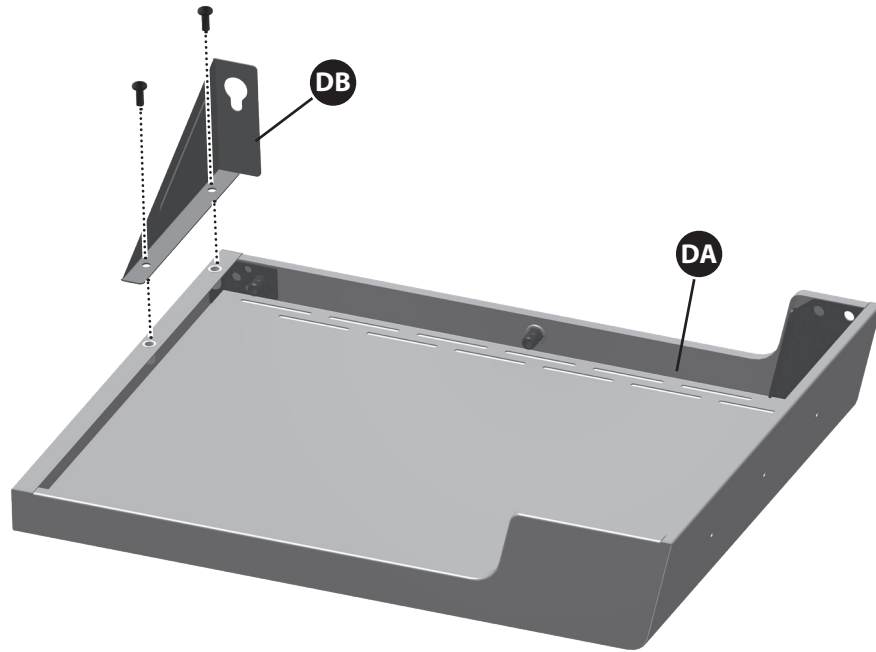
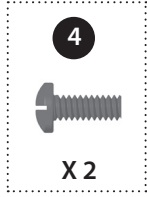


# ASSEMBLY INSTRUCTIONS

# 12

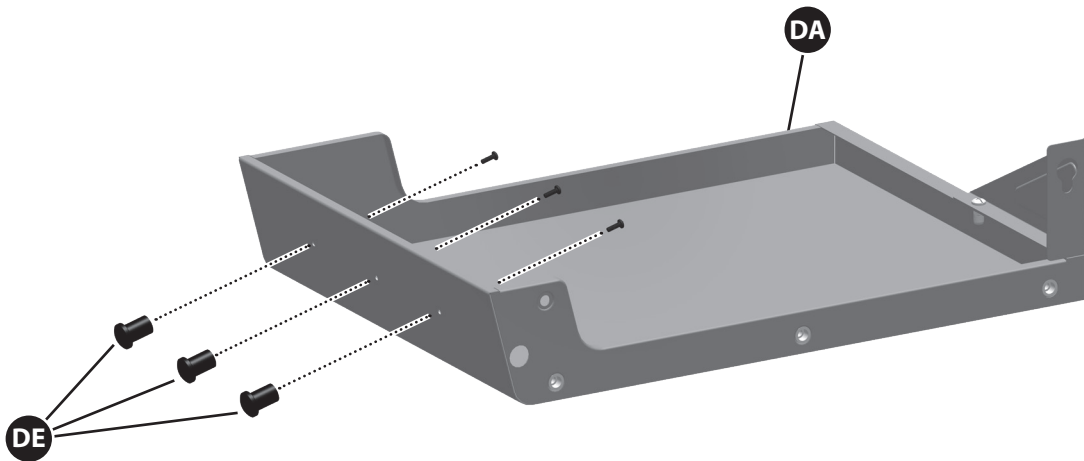
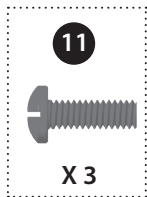
## A

YOU WILL NEED:



## B

YOU WILL NEED:

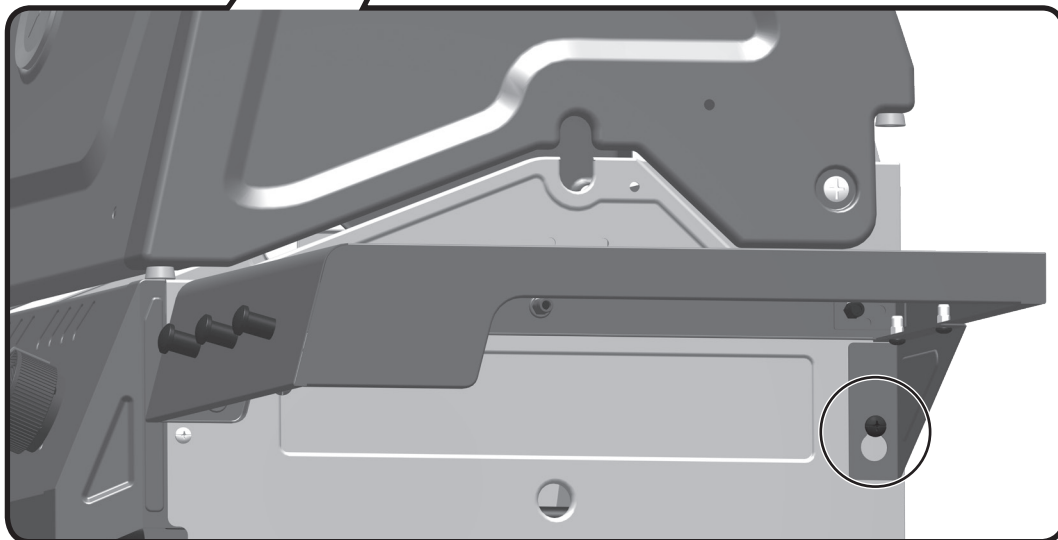
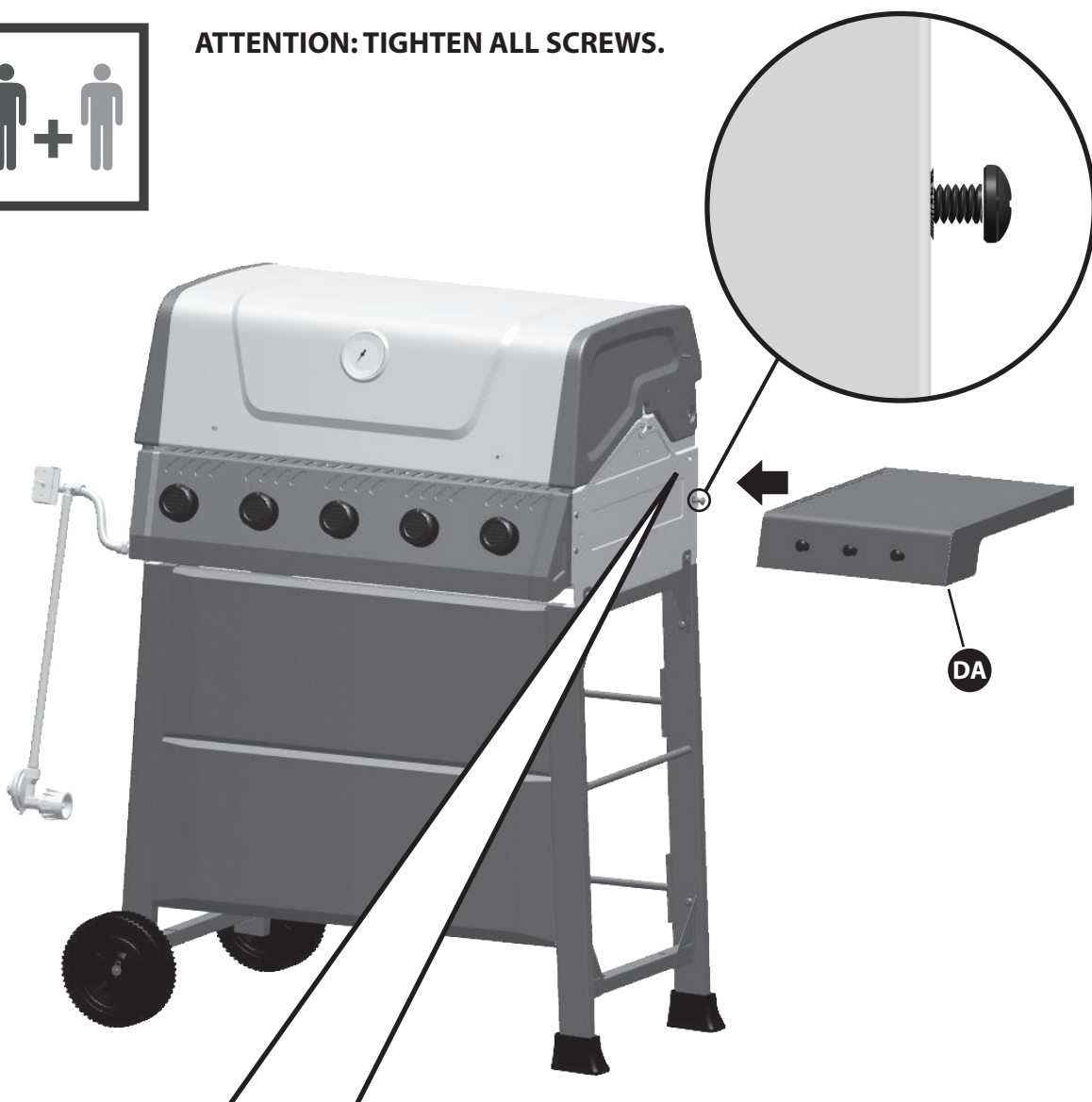


# 12

## C



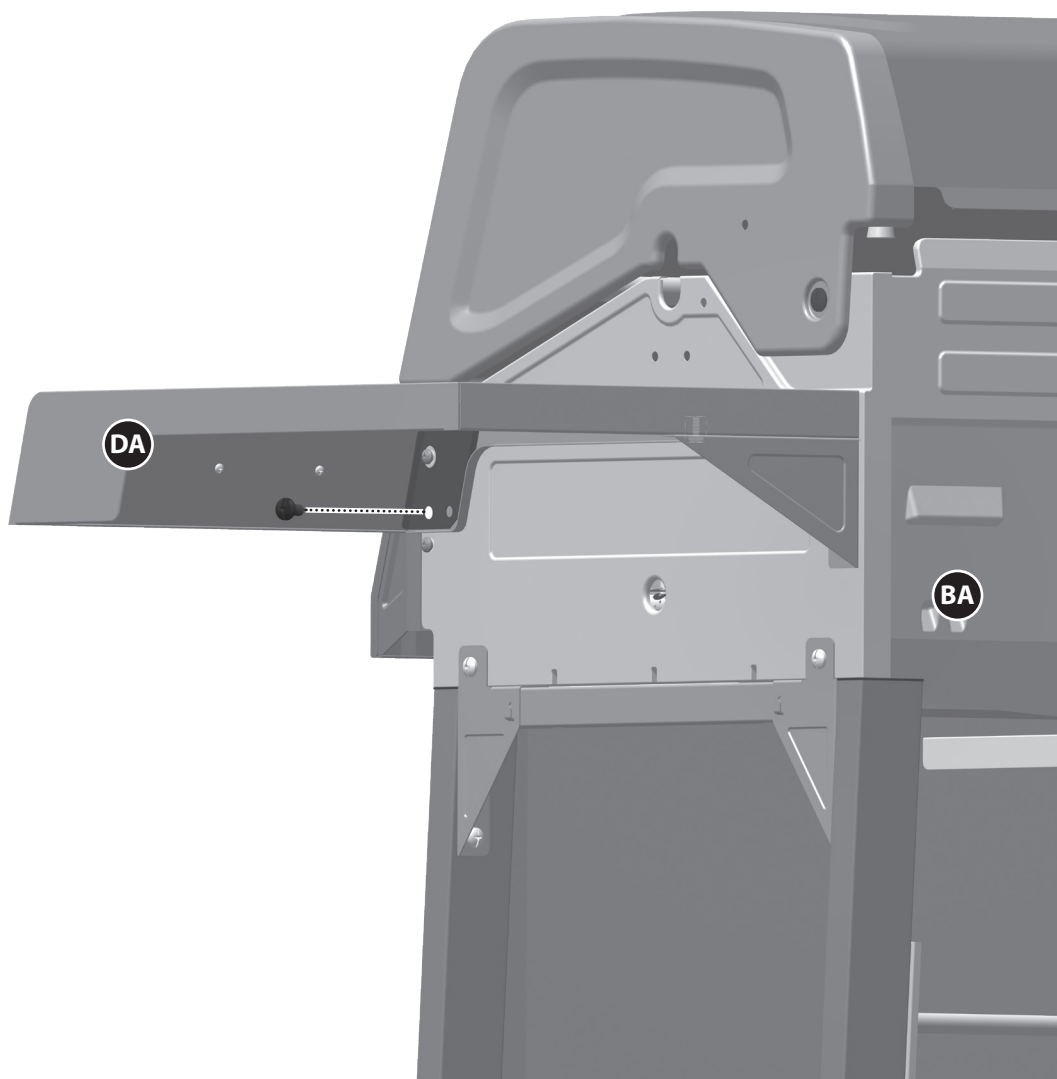
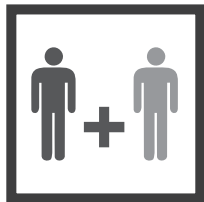
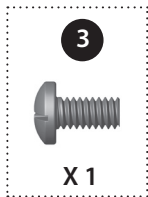
**ATTENTION: TIGHTEN ALL SCREWS.**



# 12

## D

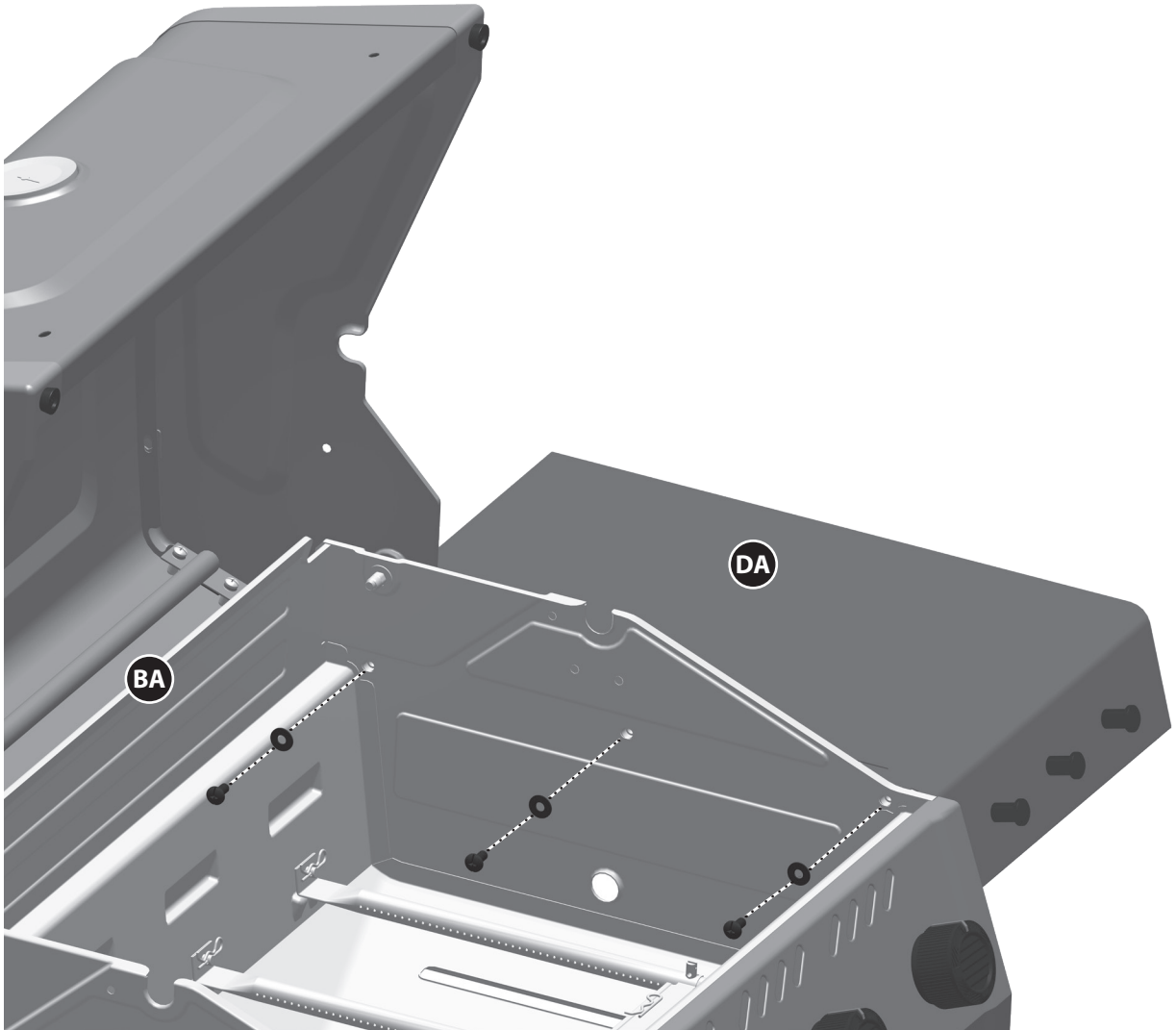
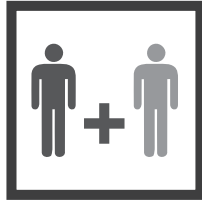
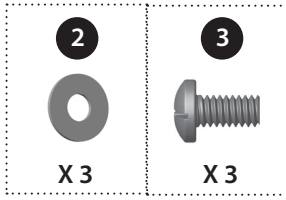
YOU WILL NEED:



# 12

## E

YOU WILL NEED:



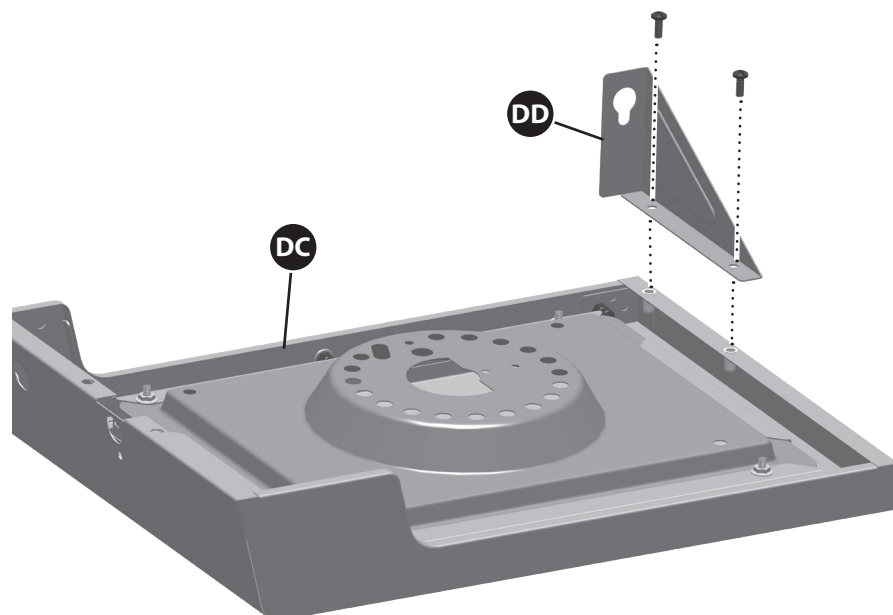
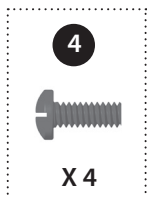


# ASSEMBLY INSTRUCTIONS

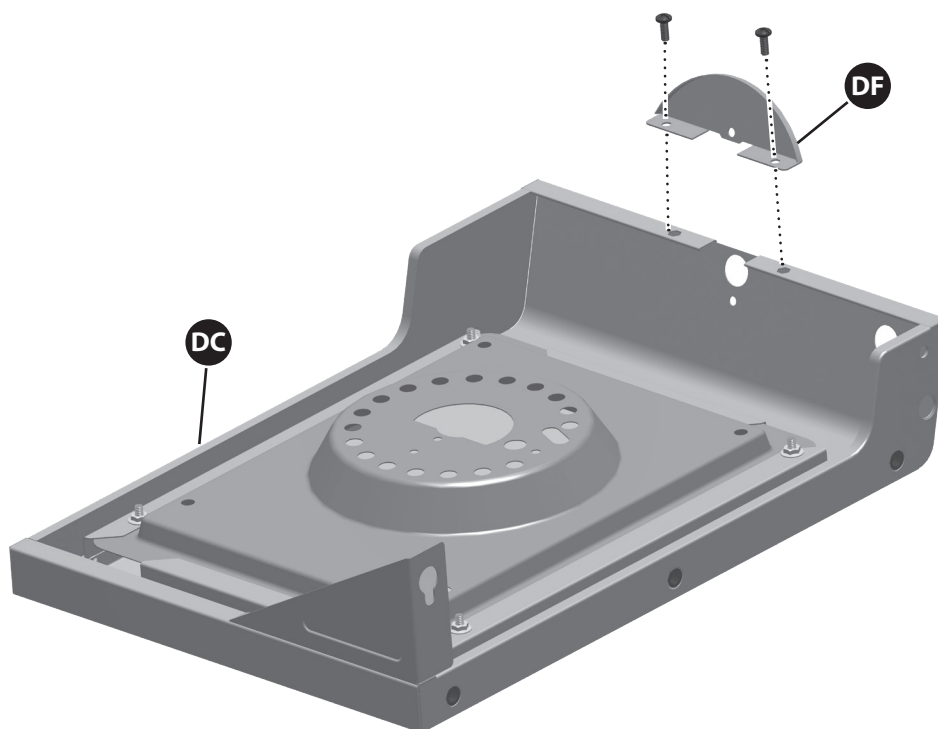
# 13

## A

YOU WILL NEED:



## B

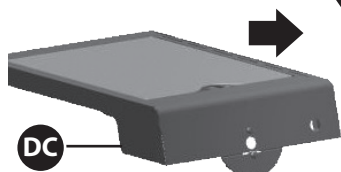
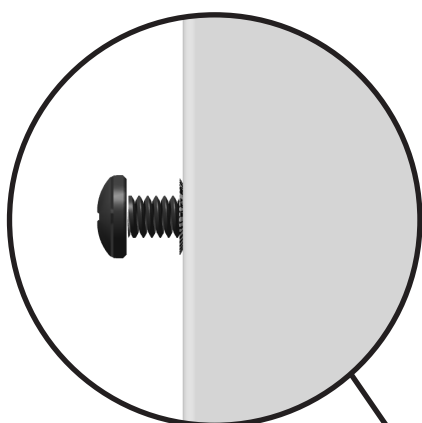
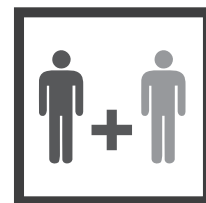


# ASSEMBLY INSTRUCTIONS

# 13

## C

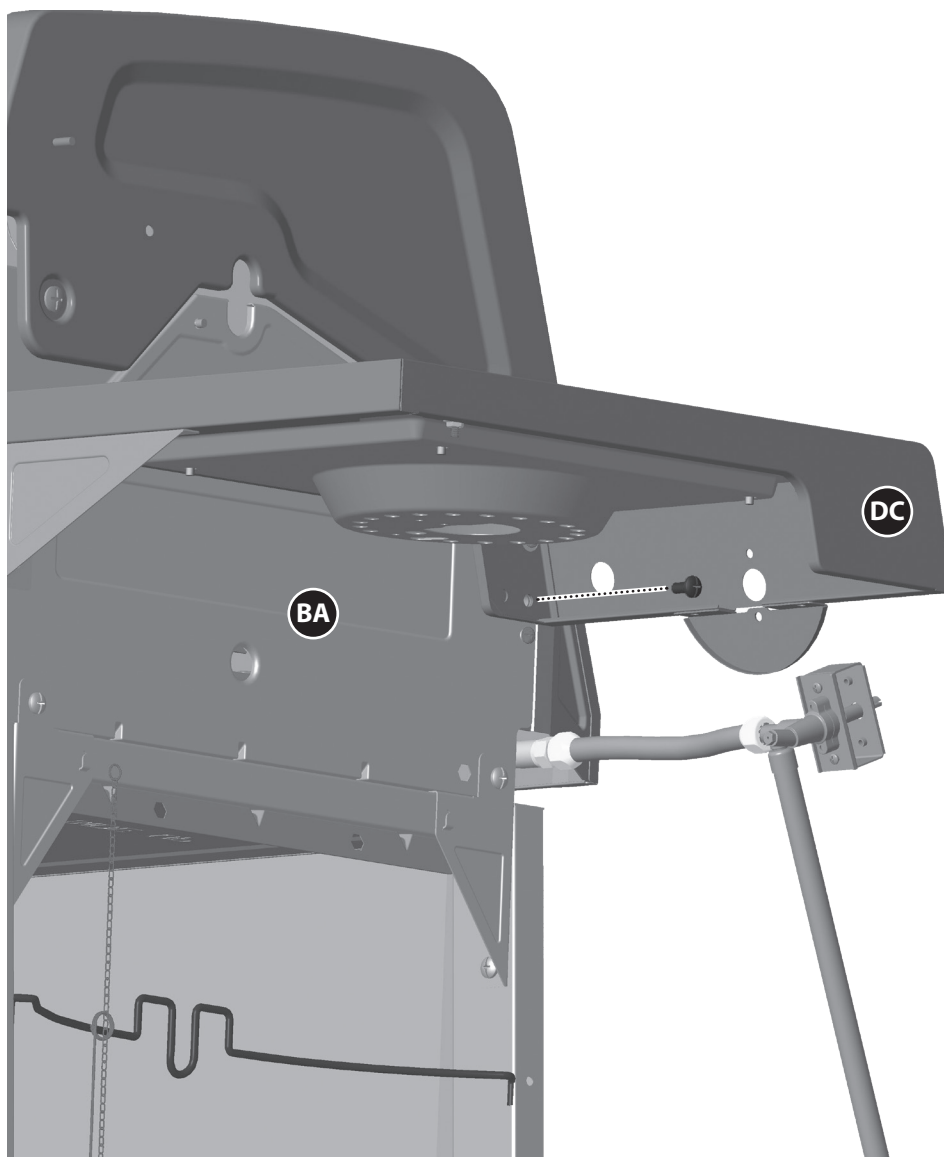
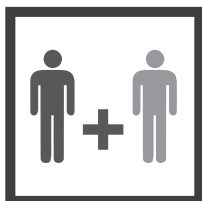
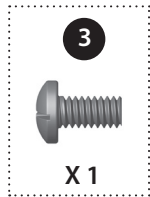
ATTENTION: TIGHTEN ALL SCREWS.



# 13

## D

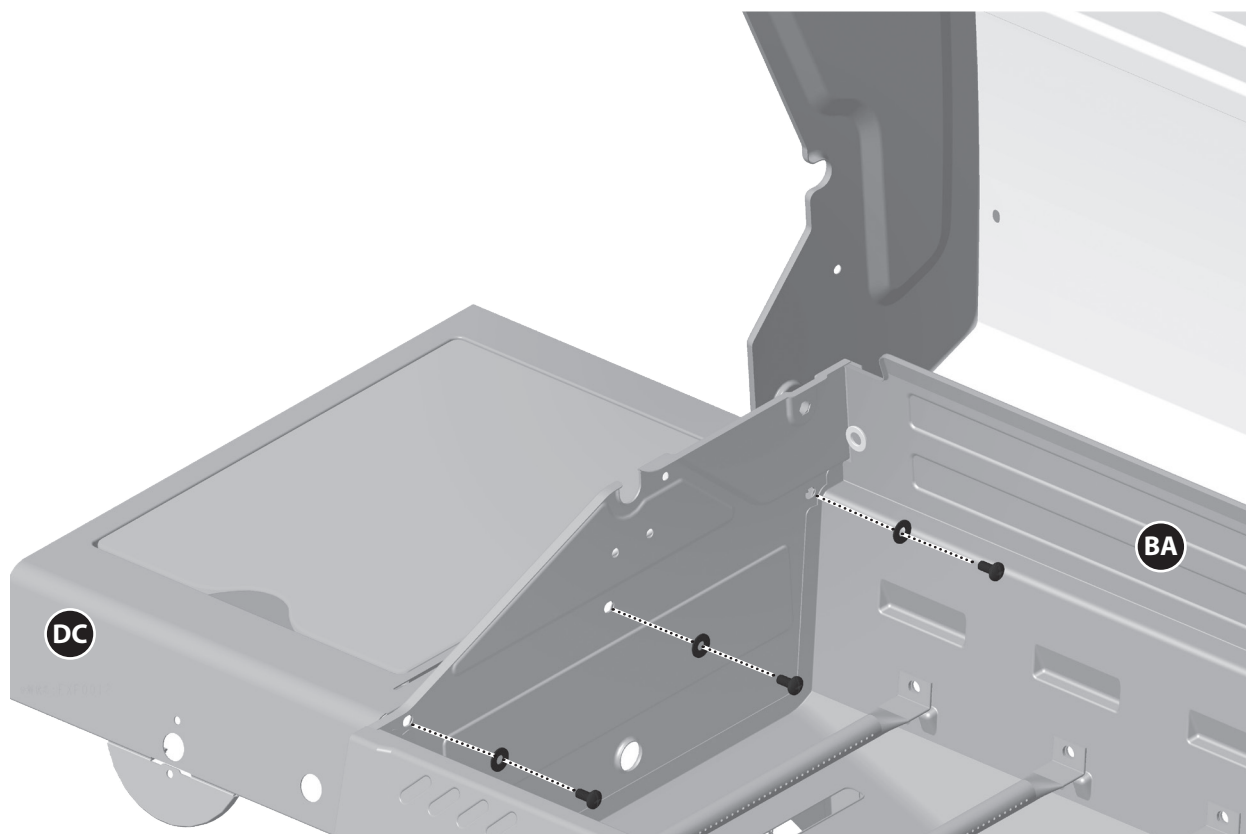
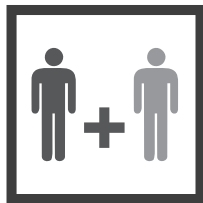
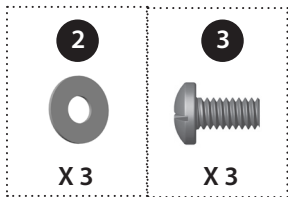
YOU WILL NEED:



# 13

## E

YOU WILL NEED:

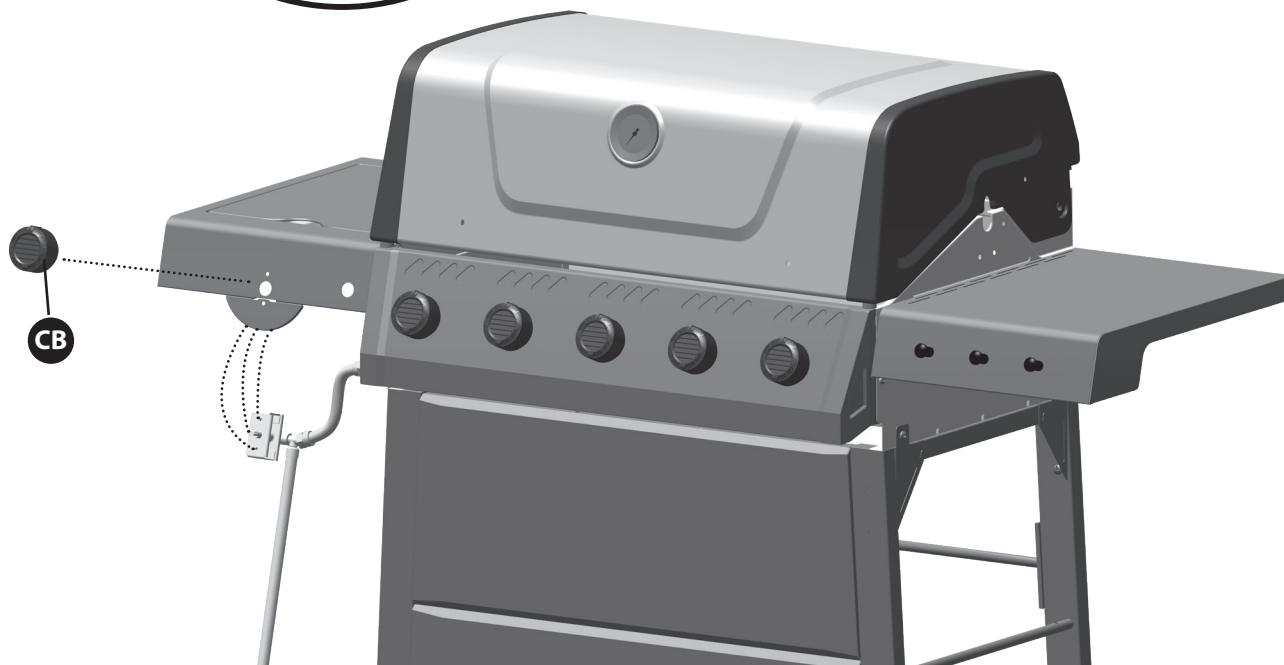
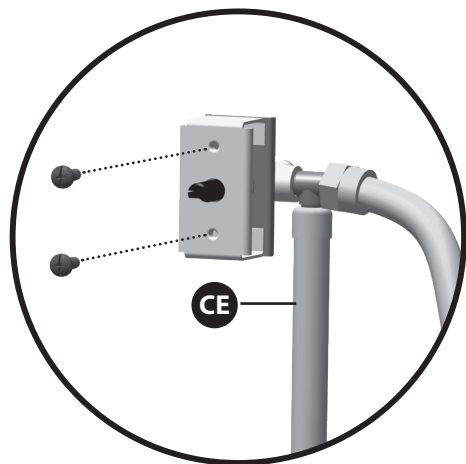
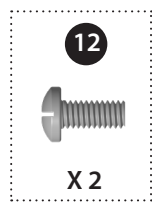


# ASSEMBLY INSTRUCTIONS

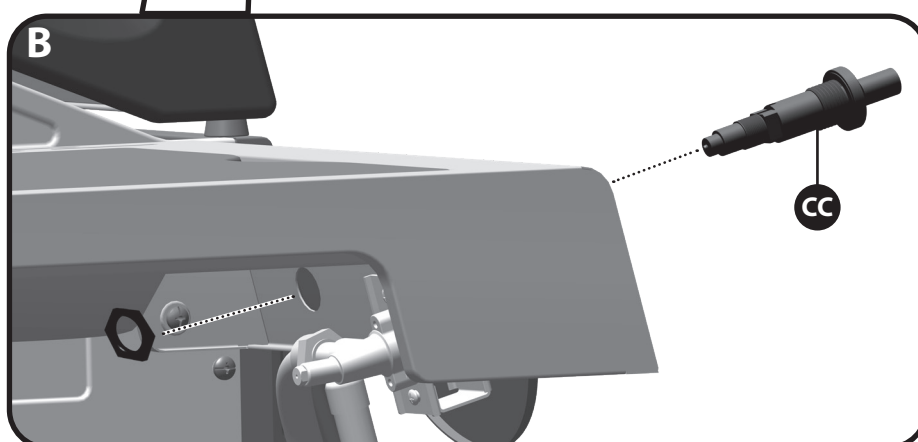
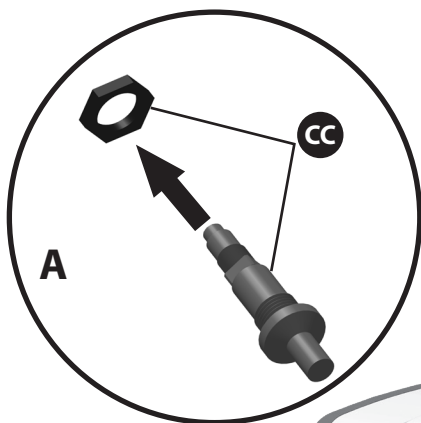
# 13

## F

YOU WILL NEED:



14

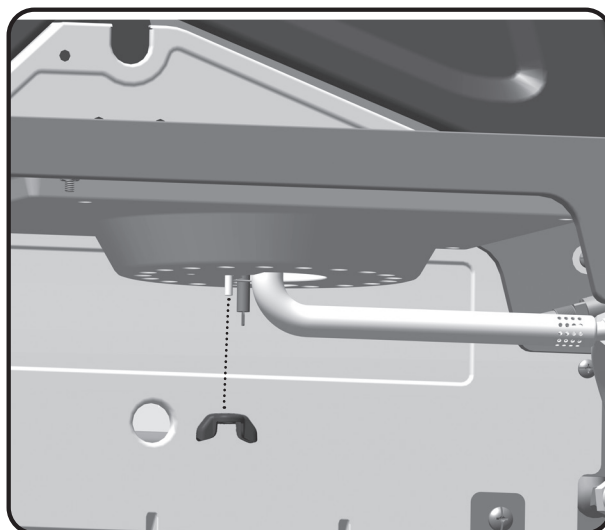
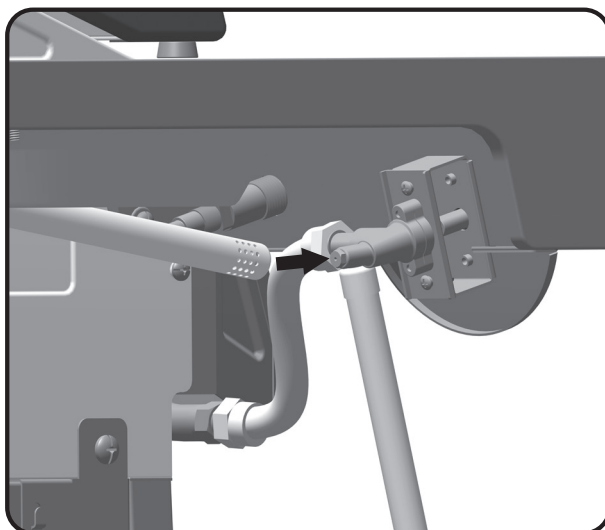


# ASSEMBLY INSTRUCTIONS

# 15

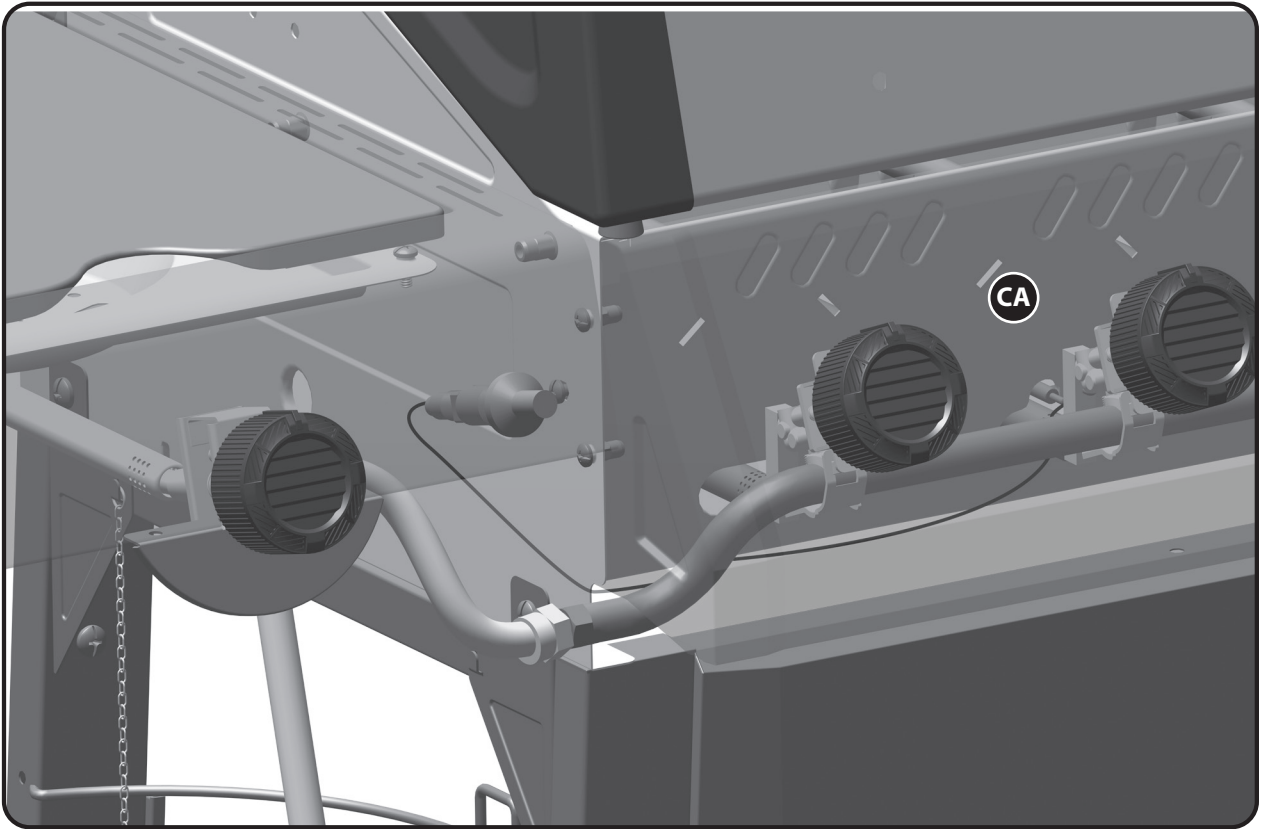
## A

YOU WILL NEED:

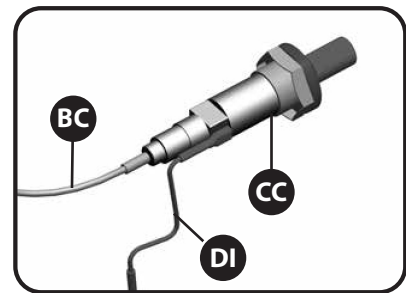
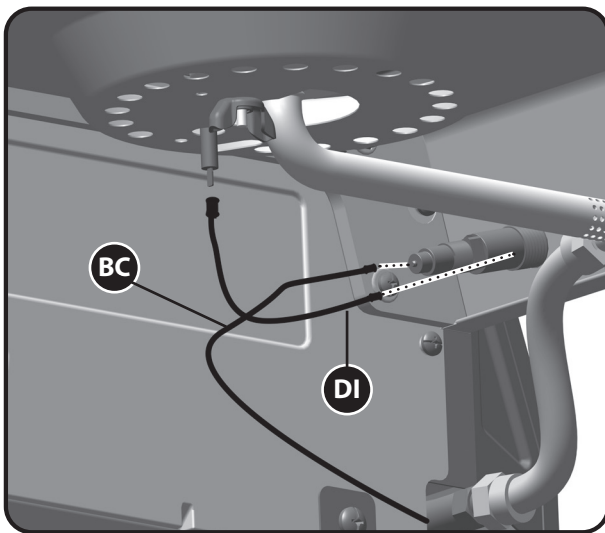


# 15

# B



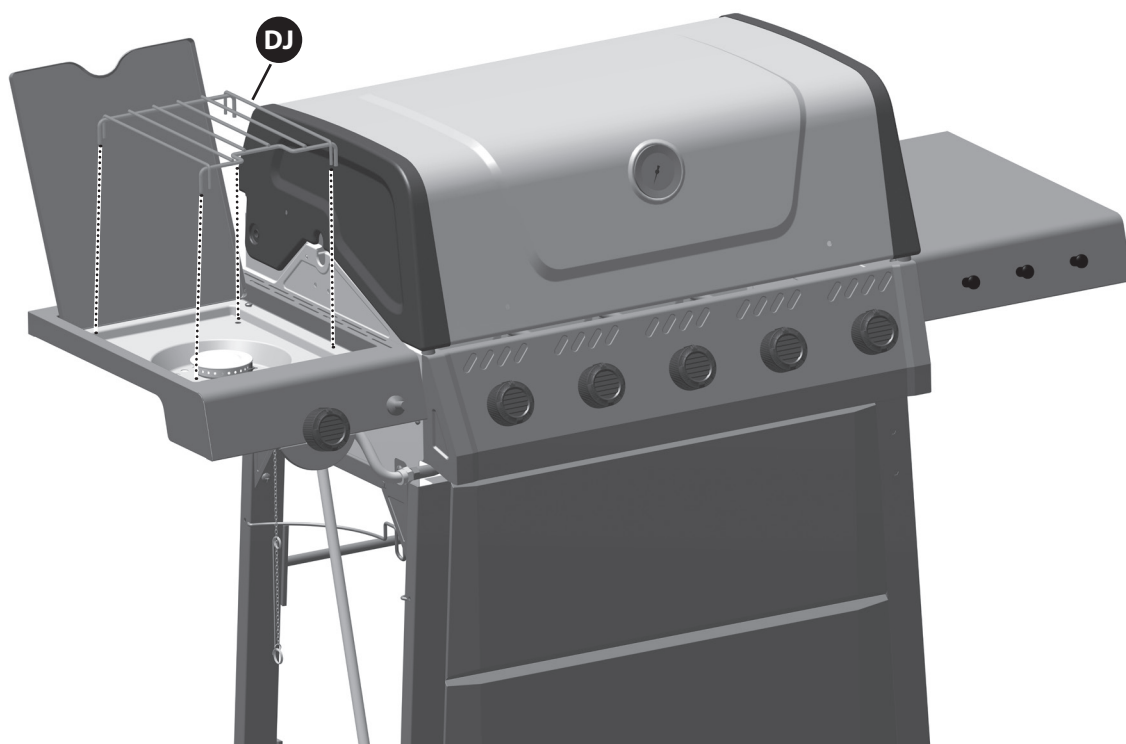
**Attention:** For the side burner electrode wire, the red side is connected to the side burner, the black side is connected to the ignition.





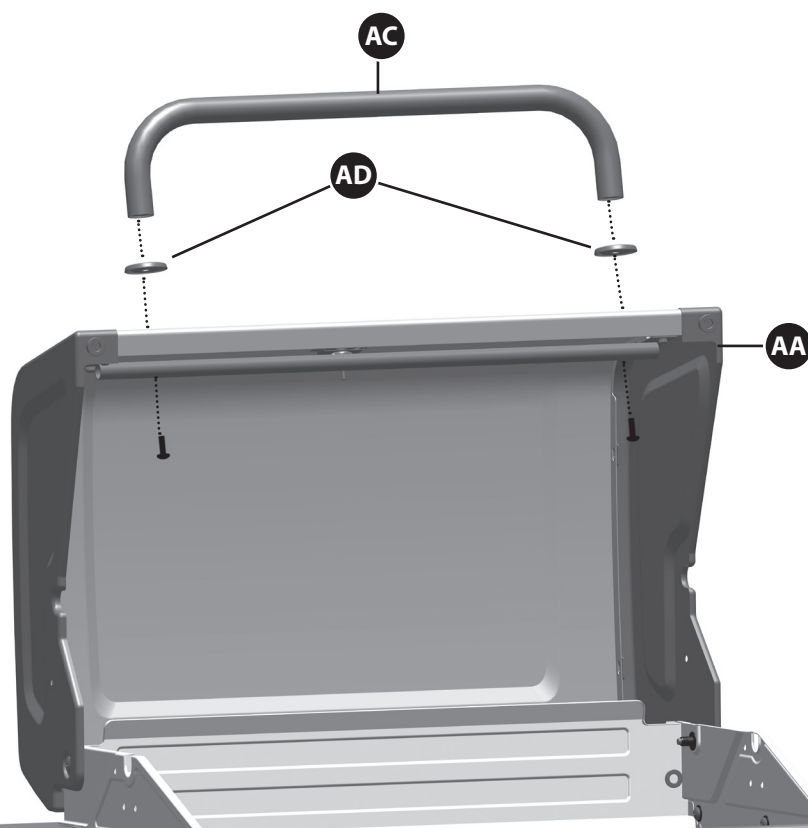
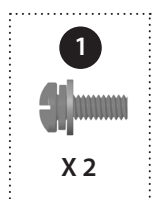
# ASSEMBLY INSTRUCTIONS

## 16

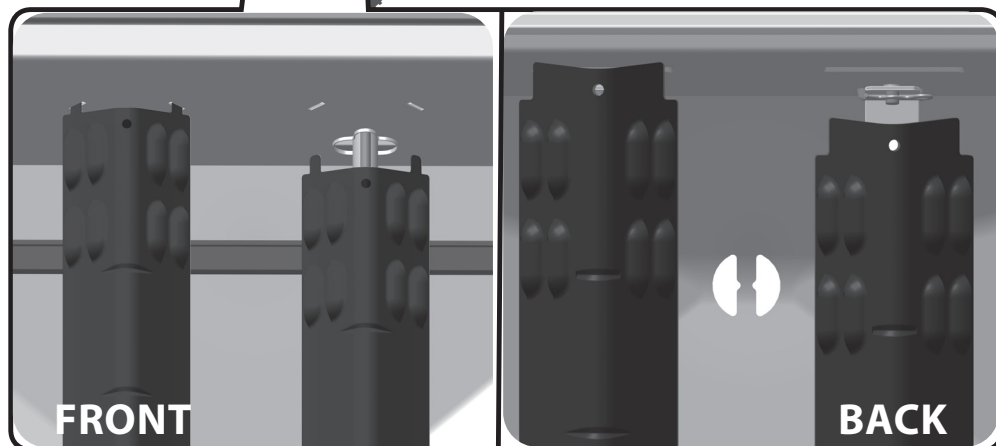


## 17

YOU WILL NEED:



18

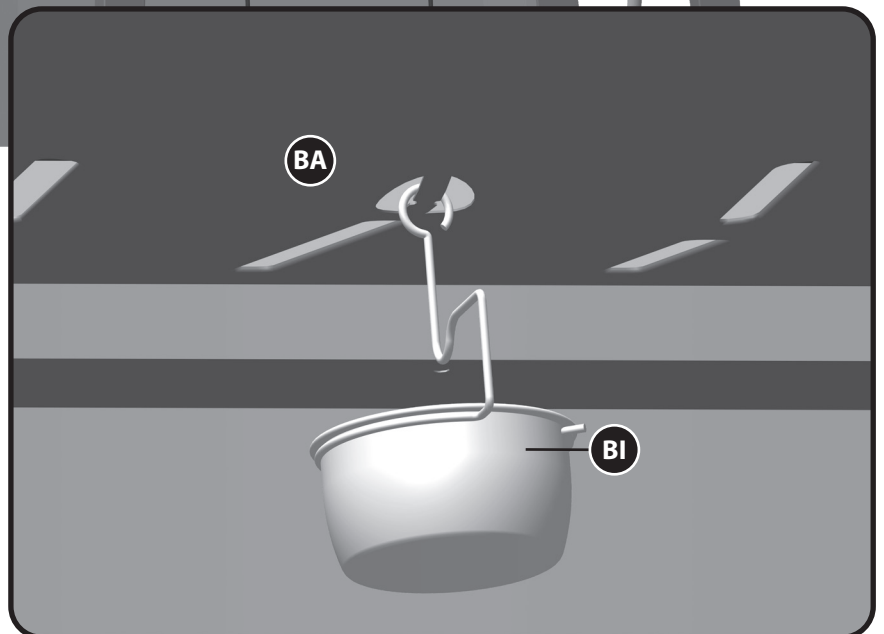
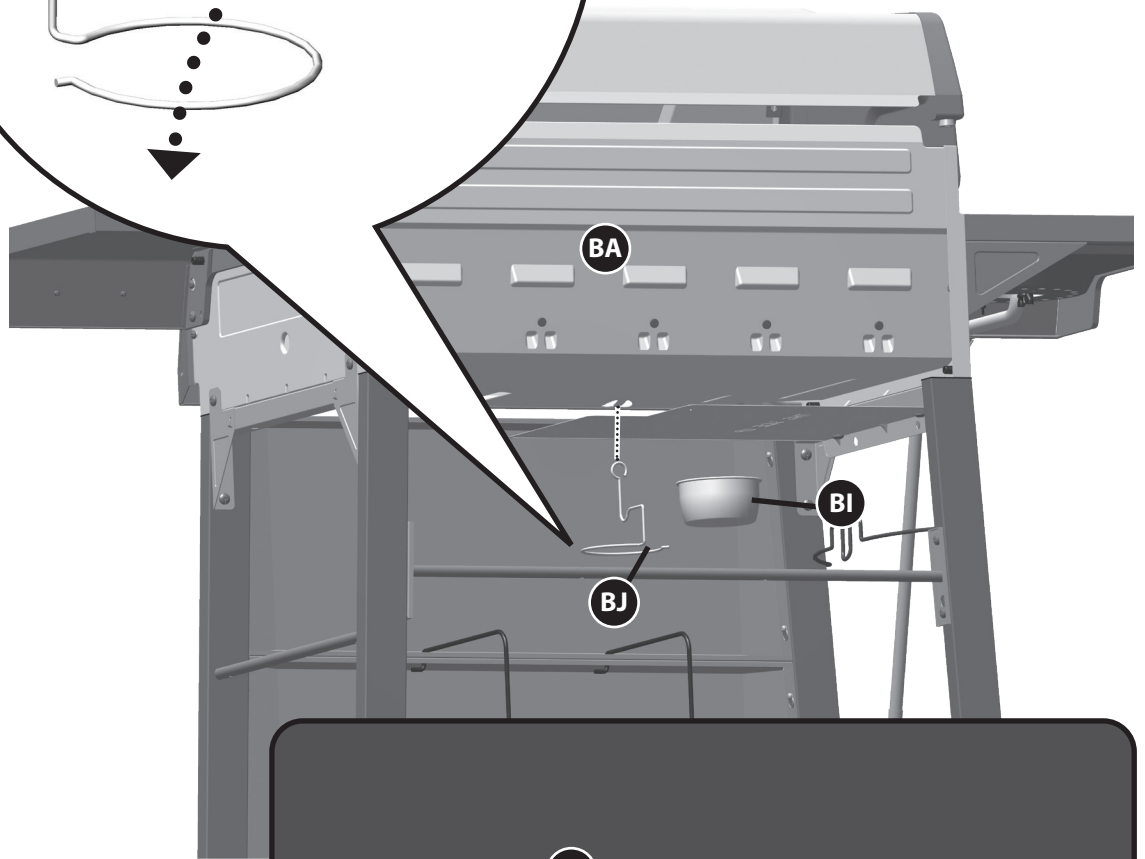
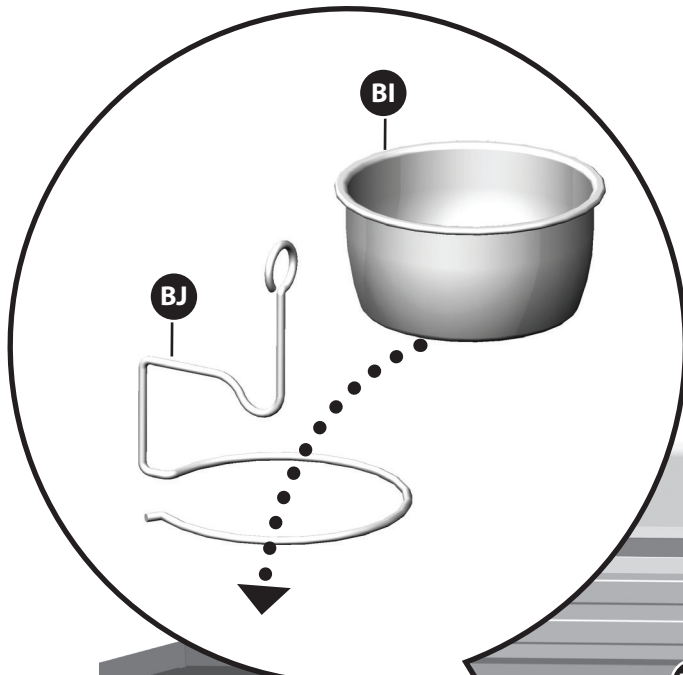


19





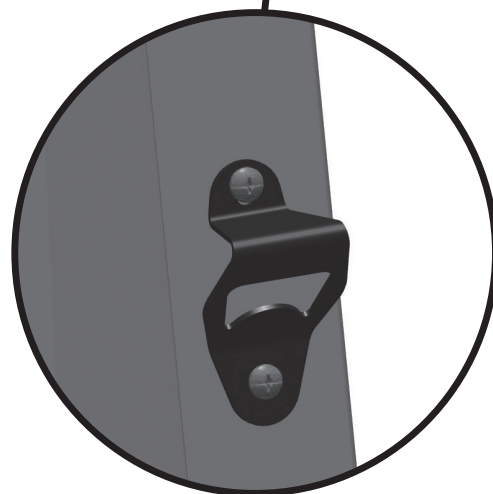
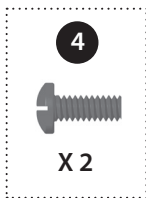
21



# ASSEMBLY INSTRUCTIONS

# 22

YOU WILL NEED:

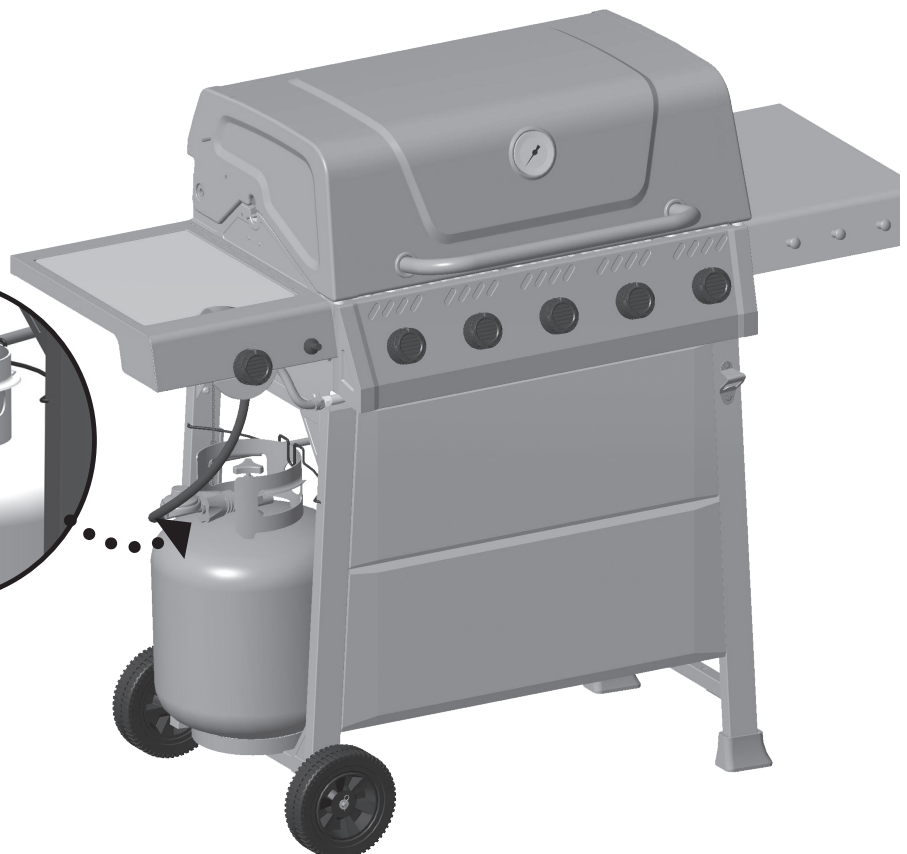
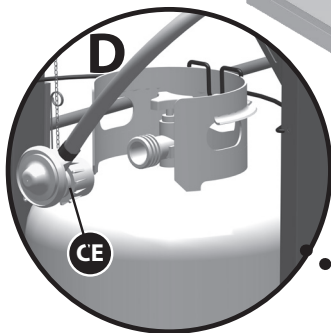
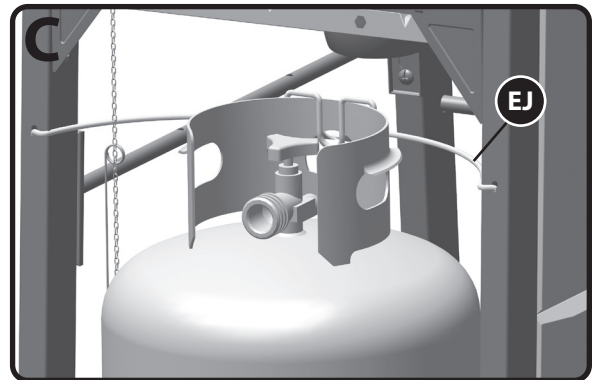
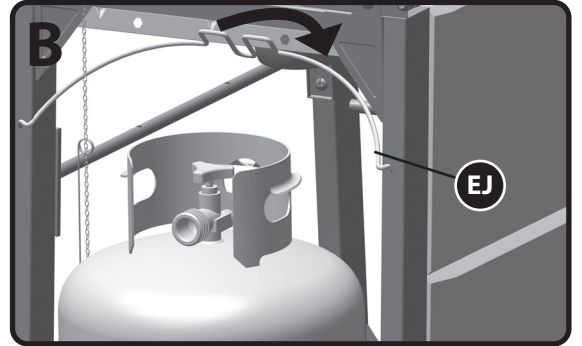
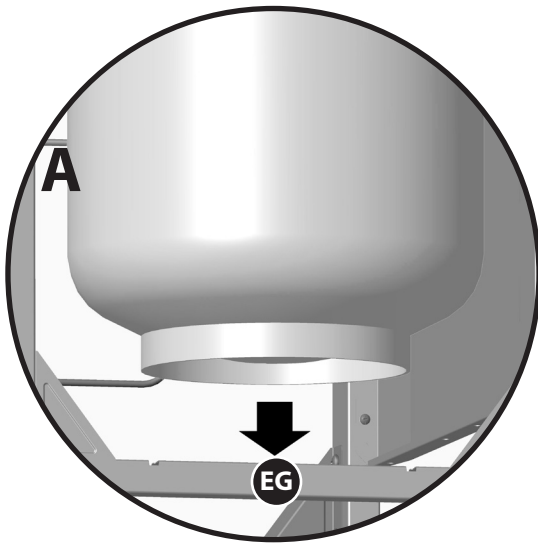


# ASSEMBLY INSTRUCTIONS

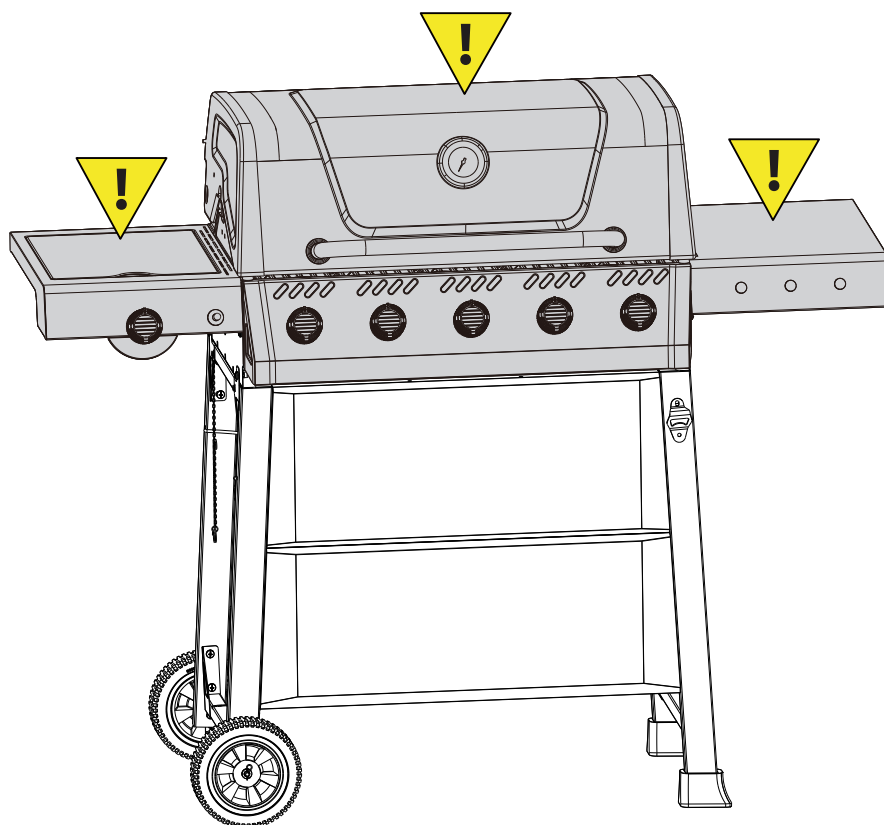
# 23



Leak Test Video  
Scan this QR code.



## **WARNING: HOT SURFACES**



## **CAUTION:**

- **AVOID BURNS.**
  - **DO NOT TOUCH WHEN BARBECUE IS IN USE.**
  - **EXTREMELY HOT SURFACE.**
- \* SHADED AREAS BECOME EXTREMELY HOT WHEN IN USE.**



Quick Start Video  
Scan this QR code.





# **NOTES**

MASTER  
**Chef**<sup>TM/MC</sup>

Visit **[www.masterchefbbqs.com](http://www.masterchefbbqs.com)**  
to complete product registration.

Master Chef® Customer Service  
1-855-453-2150