

MASTER
Chef^{TM/MC}



**GRILL TURISMO™ PROPANE GRILL
AND GRIDDLE WITH CONVERTIBLE
VALVE SYSTEM
Assembly Manual**

**085-0259-4 / G66501
1 YEAR LIMITED WARRANTY**

READ AND SAVE MANUAL FOR FUTURE REFERENCE.

Assemble your grill immediately.

Missing or damaged parts claims must be submitted within 30 days of purchase date.

**For product inquiries, parts, warranty and troubleshooting support,
please call 1-855-453-2150.**



ANSI Z21.59-2022 / CSA 1.6-2022
Outdoor Cooking Gas Appliances



ANSI Z21.58-2022 / CSA 1.6-2022
Outdoor Cooking Gas Appliances

Master No. 211648

Manual Revision: 2025.02.28 JC



HEAVY ARTICLE NEEDS 2 TO LIFT
THIS MANUAL MUST REMAIN WITH THE PRODUCT AT ALL TIMES

To order non-warranty replacement parts or accessories, or to register your warranty,
please visit us on the web at
www.masterchefbbqs.com

▲ CAUTION

Beware of sharp edges. Wear gloves when assembling your barbecue. Requires two people to complete the assembly process.

▲ CAUTION

Read and follow all safety statements, assembly instructions, use and care directions before attempting to assemble and cook.

▲ INSTALLER OR ASSEMBLE /CONSUMER

This manual should be kept with the barbecue at all times.

▲ WARNING

Failure to follow all of the manufacturer's instructions could result in hazardous fires, explosions, property damage, or serious personal injury or even death.

Follow all leak check procedures carefully prior to operation of barbecue, even if barbecue was dealer assembled. Do not try to light this barbecue without reading the Lighting Instructions section of the owner's manual.

▲ DANGER

If you smell gas:

- a. Shut off gas to the appliance
- b. Extinguish any open flame
- c. Open lid
- d. If odour continues, keep away from the appliance and immediately call your gas supplier or your fire department

▲ WARNING

1. Do not store or use gasoline or other flammable liquids or vapours in the vicinity of this or any other appliance.
2. An LP cylinder not connected for use shall not be stored in the vicinity of this or any other appliance.

▲ WARNING

IN DIRECT SUN, AND IN OPERATION, YOUR BARBECUE'S STAINLESS STEEL AND PAINTED STEEL PARTS CAN BECOME VERY HOT.

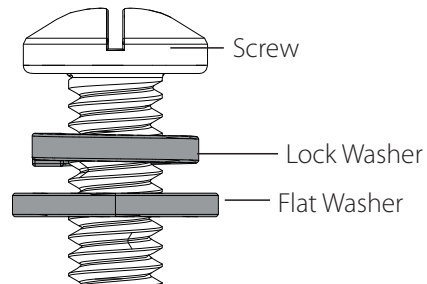
THIS BARBECUE IS FOR OUTDOOR USE ONLY.
CONTACT CALL CENTRE IF ANY PARTS ARE MISSING.
1-855-453-2150

HARDWARE PACK

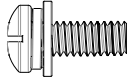
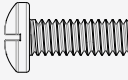
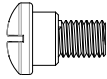

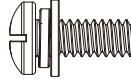
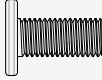

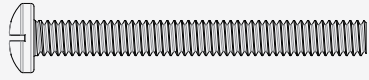
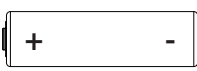


TOOLS NEEDED FOR ASSEMBLY

- #2 Cross-head screwdriver (long and short)
- 1/4" Slotted screwdriver (long and short)
- Adjustable wrench
- Pliers

For correct hardware assembly, always position the lock washer between the screw and the flat washer.



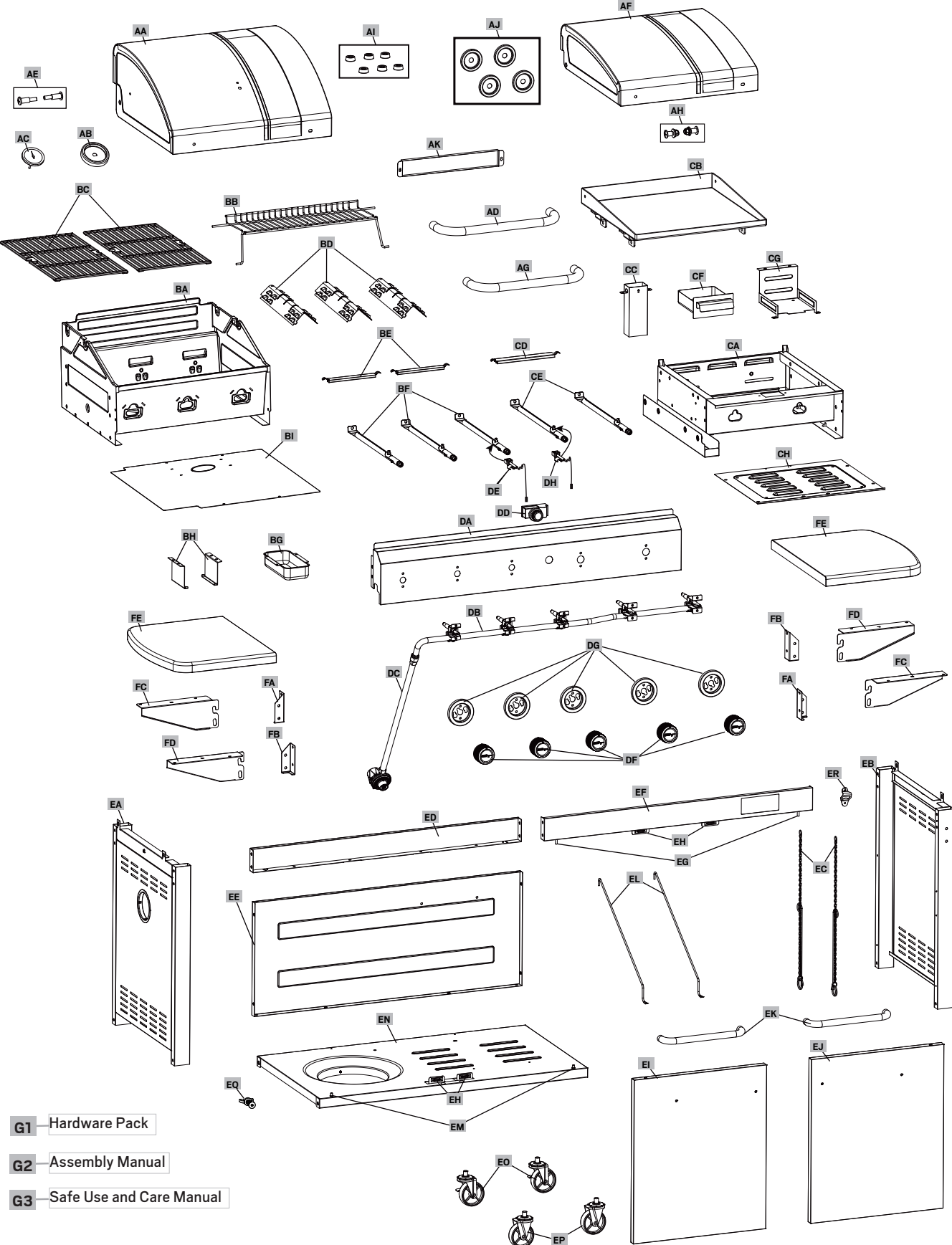
⚠ CAUTION: Sheet metal can cause injury, wear gloves when installing the barbecue.

No.	Description	Part Number	Qty.
1	1/4" x 18 Screw Assembly		4
2	1/4"-20UNC x 18 Screw		22
3	1/4" Screw		8
4	1/4"-20UNC Nut		20
5	NO.10-24UNC x 13 Screw		4
6	NO.10-24UNC Screw		20
7	Wheel Lock Pin		1
8	1/4"-20UNC x 60 Screw		12
9	AA Battery		1
10	Wrench		1
11	Handle Bushing		4

PARTS LIST FOR 085-0259-4 (G66501)

Item No.	Qty.	Description	Part No.	Item No.	Qty.	Description	Part No.
AA	1	Top Lid, Grill Side	G665-0200-01	EA	1	Cart Side Panel, Left	G665-1400-01
AB	1	Thermometer Bezel, Grill Side	G364-0017-010	EB	1	Cart Side Panel, Right	G665-1500-01
AC	1	Thermometer, Grill Side	G364-0028-01	EC	2	Match Holder	G401-0079-01
AD	1	Top Lid Handle, Grill Side	G665-0001-01	ED	1	Upper Back Panel	G651-0601-01
AE	2	Top Lid Screw, Grill Side	G665-0008-01	EE	1	Lower Back Panel	G651-0046-01
AF	1	Top Lid, Griddle Side	G665-0400-01	EF	1	Door Support Rail	G665-1600-01
AG	1	Top Lid Handle, Griddle Side	G665-0002-01	EG	2	Spring Hinge	G439-0036-01
AH	2	Top Lid Screw, Griddle Side	G560-0003-02	EH	4	Door Magnet Assembly	G213-0022-01
AI	6	Lid Bumper	G527-0002-0A	EI	1	Left Door Assembly	G665-2000-01
AJ	4	Top Lid Handle Bezel	G453-00A7-010	EJ	1	Right Door Assembly	G665-2100-01
AK	1	Heat Shield, Top Lid Handle	G665-0015-01	EK	2	Door Handle	G665-0019-01
				EL	2	Tank Exclusion Wire	G651-7702-01
BA	1	Burner Box Assembly, Grill Side	G665-0600-01	EM	2	Fixed Hinge	G703-3303-01
BB	1	Warming Rack	G665-0006-01	EN	1	Bottom Shelf	G665-1900-01
BC	2	Cooking Grate	G432-001N-01	EO	2	Locking Castor	A007-0006-01
BD	3	Heat Plate	G492-0011-01	EP	2	Castor	A007-0007-01
BE	2	Carryover, Grill Side	G466-0015-01	EQ	1	Tank Screw	G430-C001-01
BF	3	Main Burner, Grill Side	G665-2200-01	ER	1	Bottle opener	G492-0014-01
BG	1	Grease Collection Tray, Grill Side	G416-0015-01				
BH	2	Grease Cup Rail, Grill Side	G665-0014-01	FA	2	Support Bracket A	G750-0020-02
BI	1	Heat Shield, Grill Side	G665-0010-01	FB	2	Support Bracket B	G750-0021-02
				FC	2	Shelf Support A	G750-0023-02
CA	1	Burner Box Assembly, Griddle Side	G665-0800-01	FD	2	Shelf Support B	G750-0024-02
CB	1	Griddle Top	G665-1800-01	FE	2	Side Shelf	G750-0022-02
CC	1	Grease Channel, Griddle Side	G665-0900-01				
CD	1	Carryover, Griddle Side	G309-0C02-01	G1	1	Hardware Pack	G665-B001-01
CE	2	Main Burner, Griddle Side	G665-0700-01	G2	1	Assembly Manual	G665-M001-01
CF	1	Grease Collection Tray, Griddle Side	G665-1700-01	G3	1	Safe Use and Care Manual	G665-M001-02
CG	1	Grease Cup Rail, Griddle Side	G665-0005-01				
CH	1	Heat Shield, Griddle Side	G665-0009-01				
DA	1	Control Panel	G665-0004-01				
DB	1	Manifold Assembly	G665-1100-01				
DC	1	Regulator	G425-5702-01				
DD	1	Ignition Button	G453-0098-01				
DE	1	Main Burner Electrode Set, L=35 cm	G432-8S01-01				
DF	5	Control Knob	G364-3600-01				
DG	5	Control Knob Bezel	G453-0092-010				
DH	1	Main Burner Electrode Set, L=50 cm	G466-0057-01				

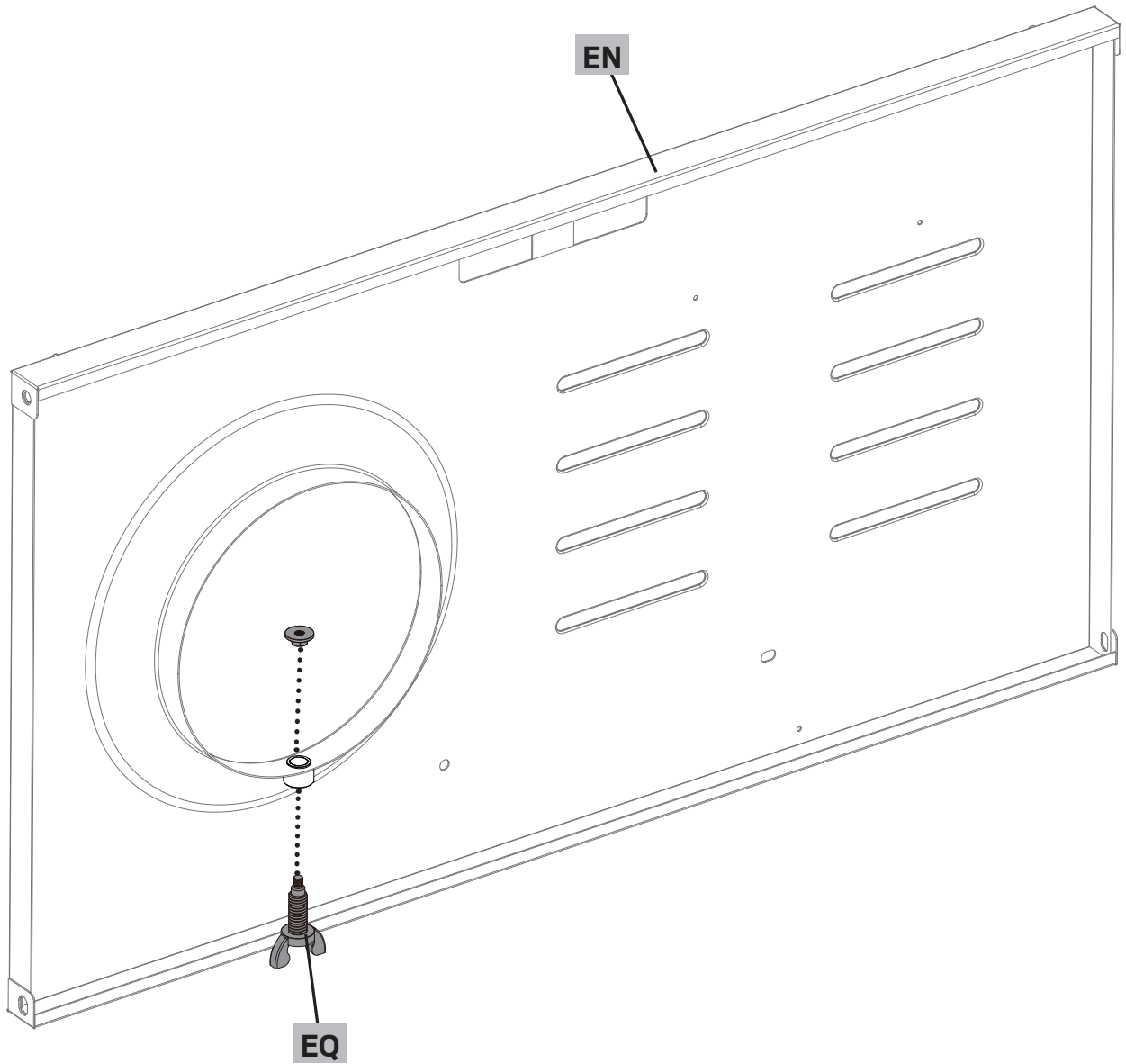
EXPLODED DIAGRAM FOR 085-0259-4 (G66501)



- G1 Hardware Pack
- G2 Assembly Manual
- G3 Safe Use and Care Manual

ASSEMBLY INSTRUCTIONS

1



ASSEMBLY INSTRUCTIONS

2

4



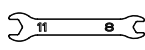
x 2

8

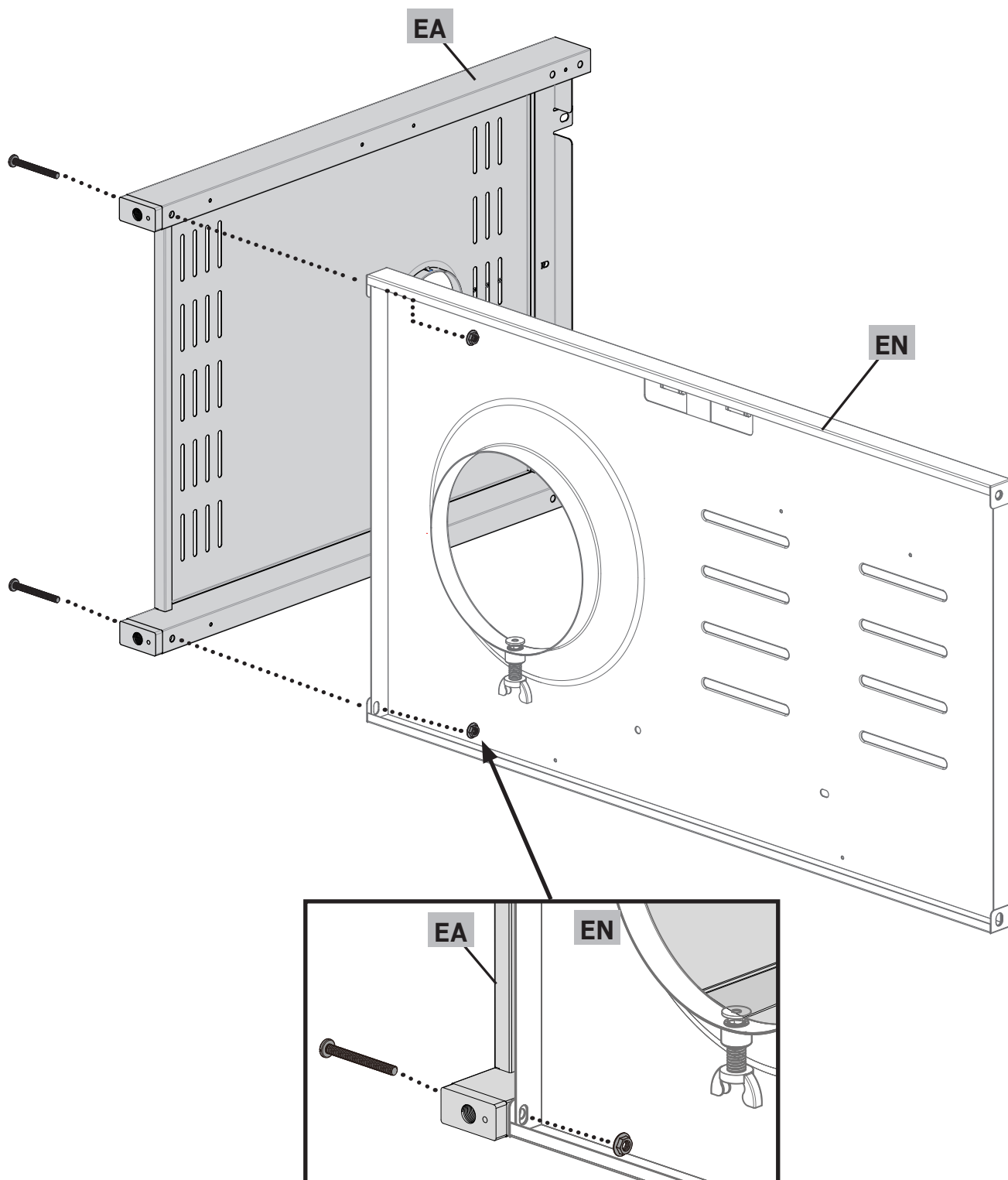


x 2

10



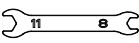



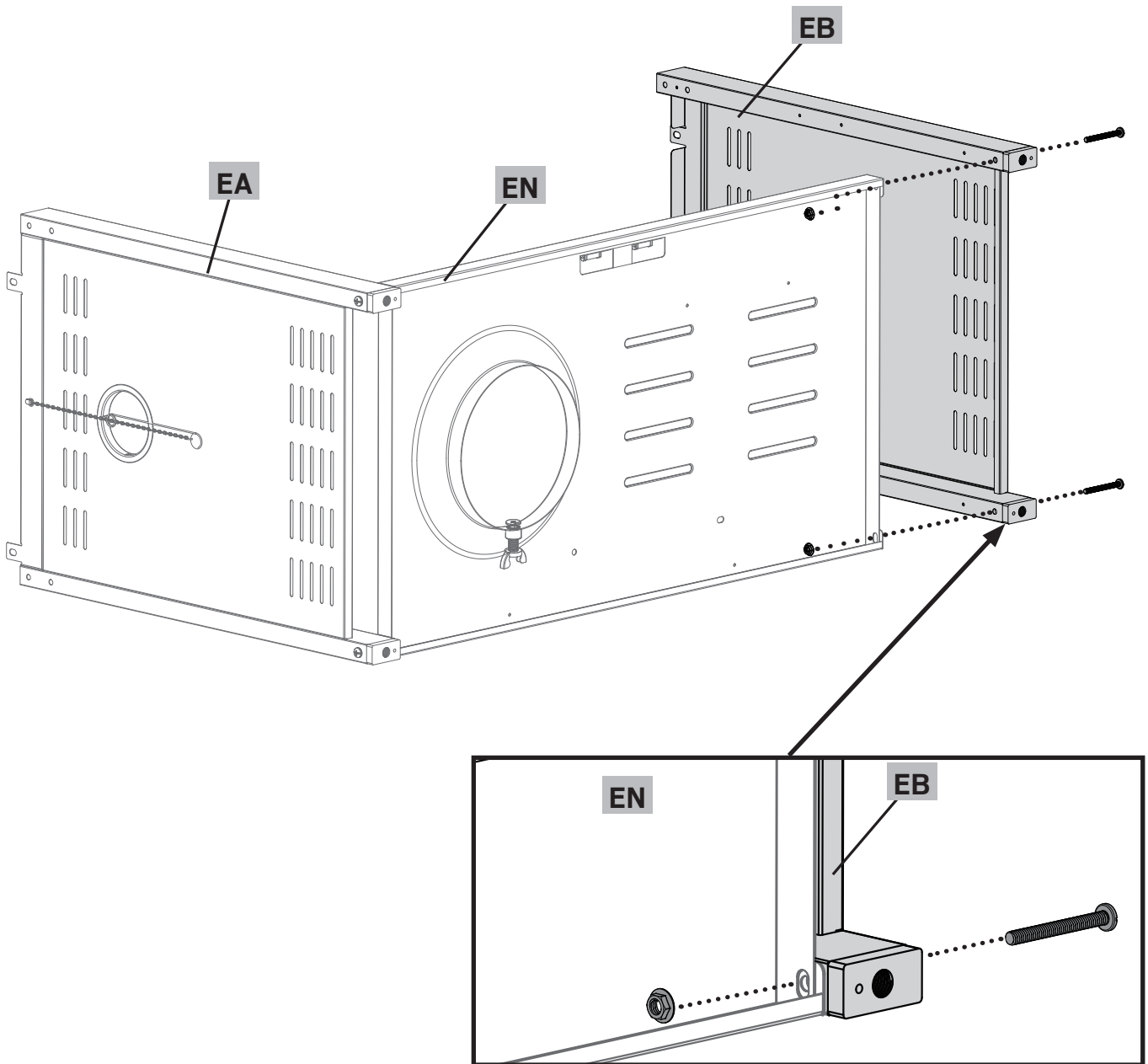
x 1



ASSEMBLY INSTRUCTIONS

3


4  x 2	8  x 2	10  x 1	
--	--	---	---



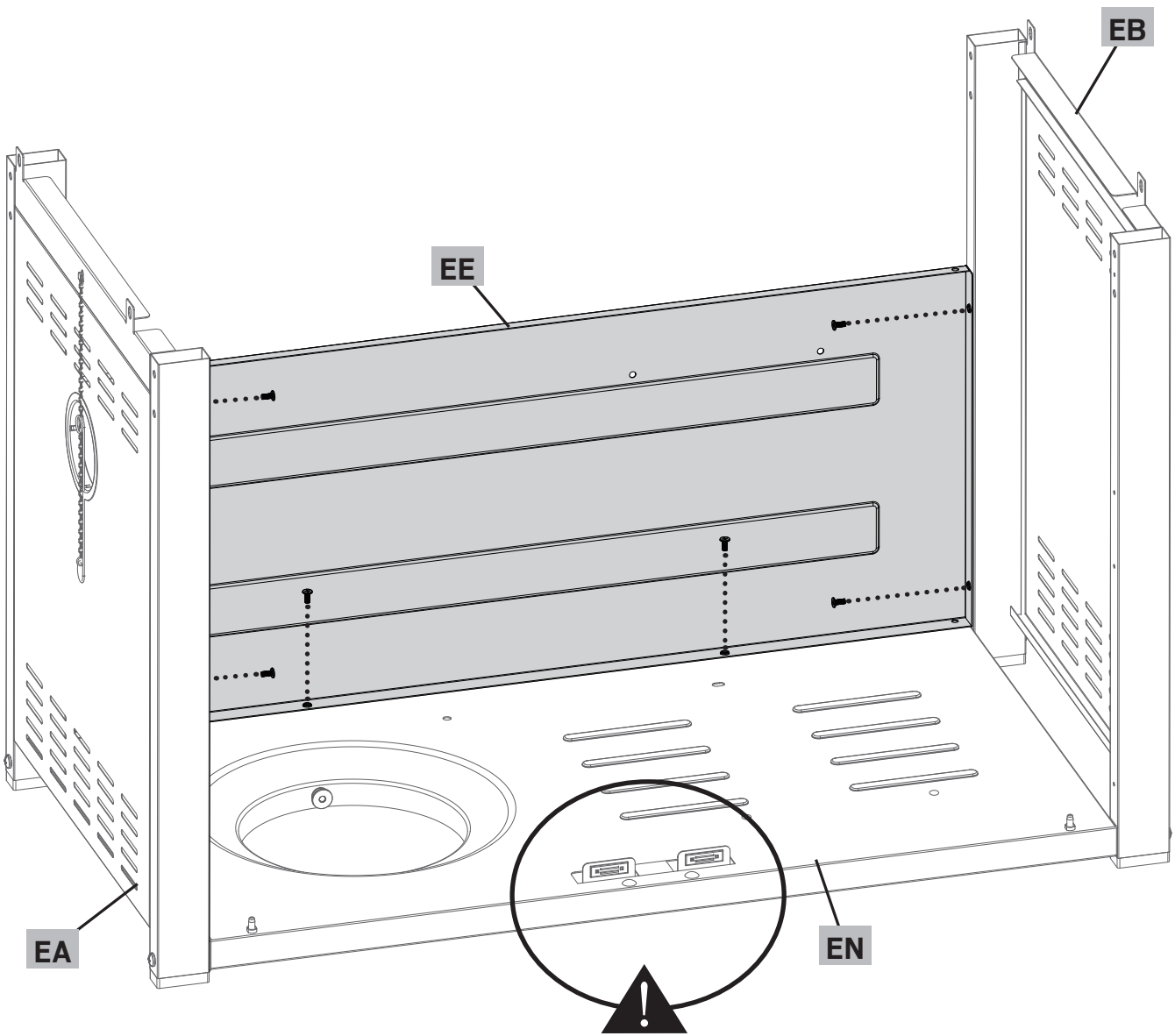
ASSEMBLY INSTRUCTIONS

4

6



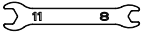



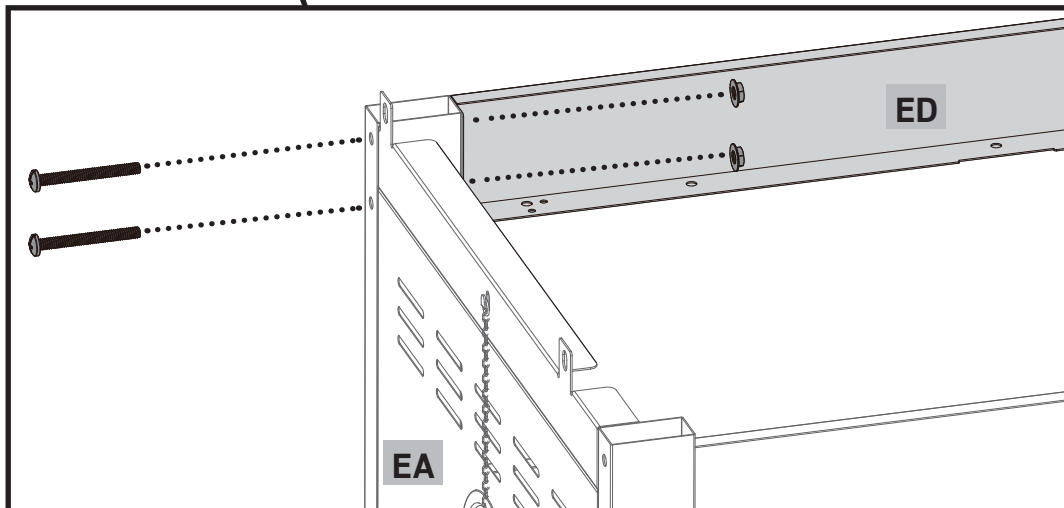
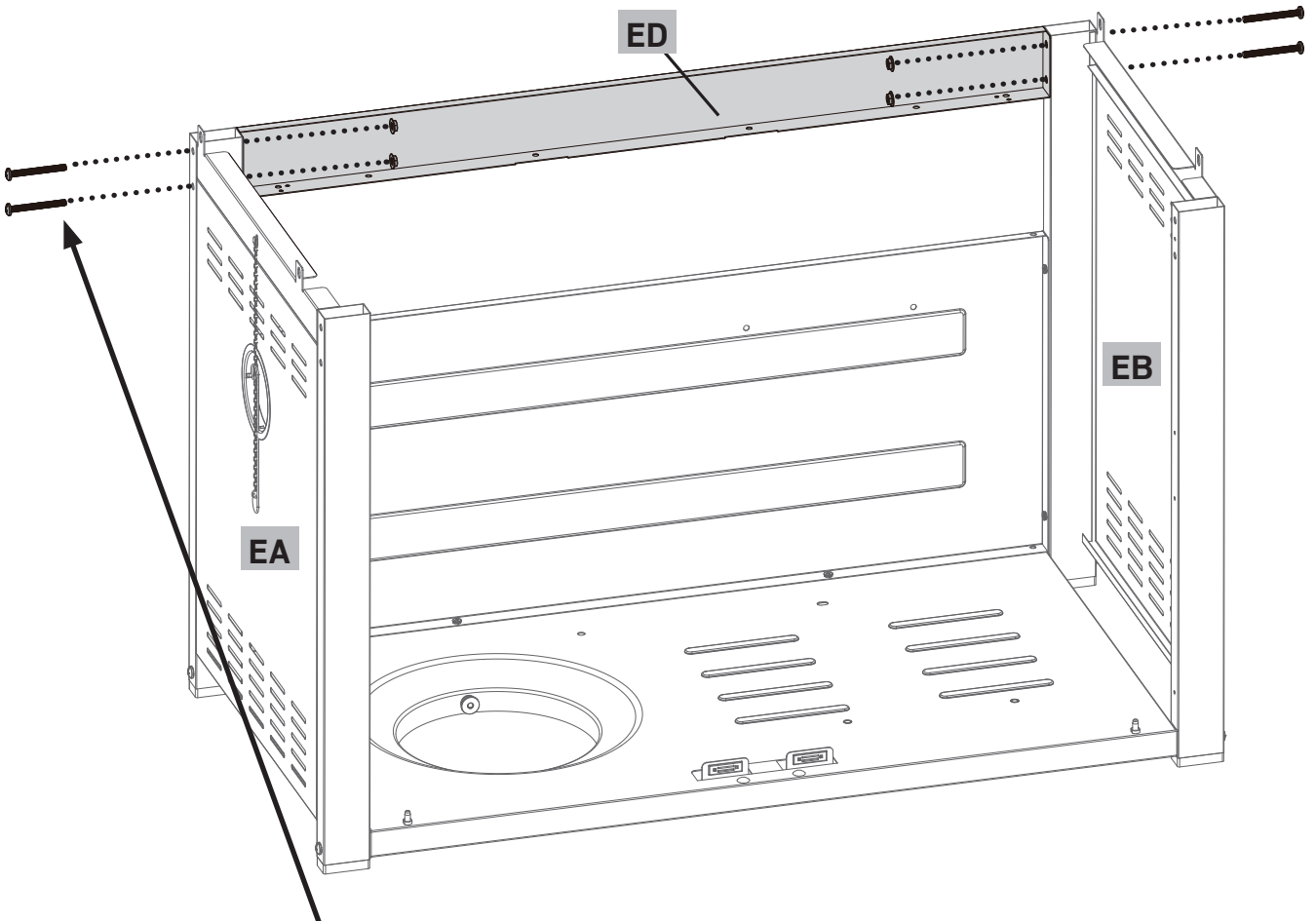
x 6



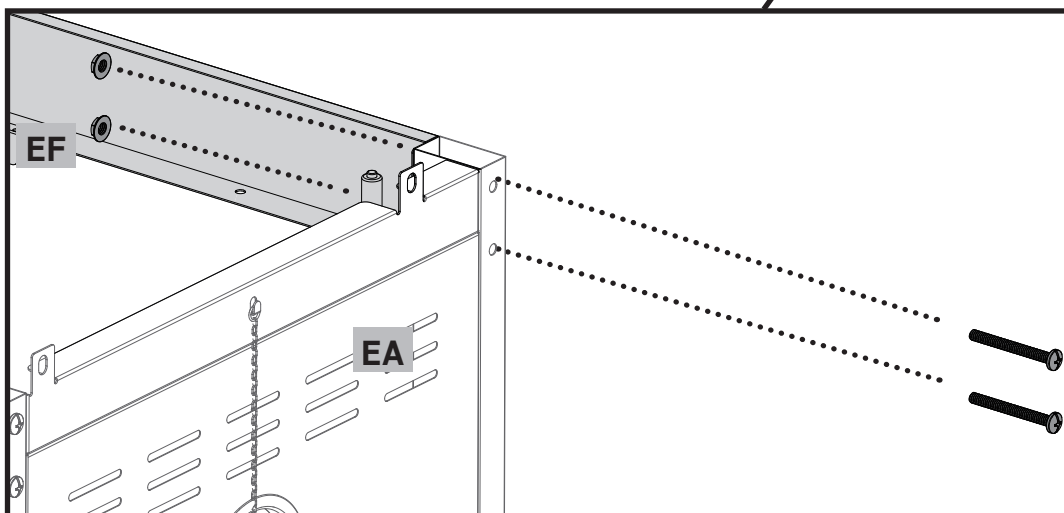
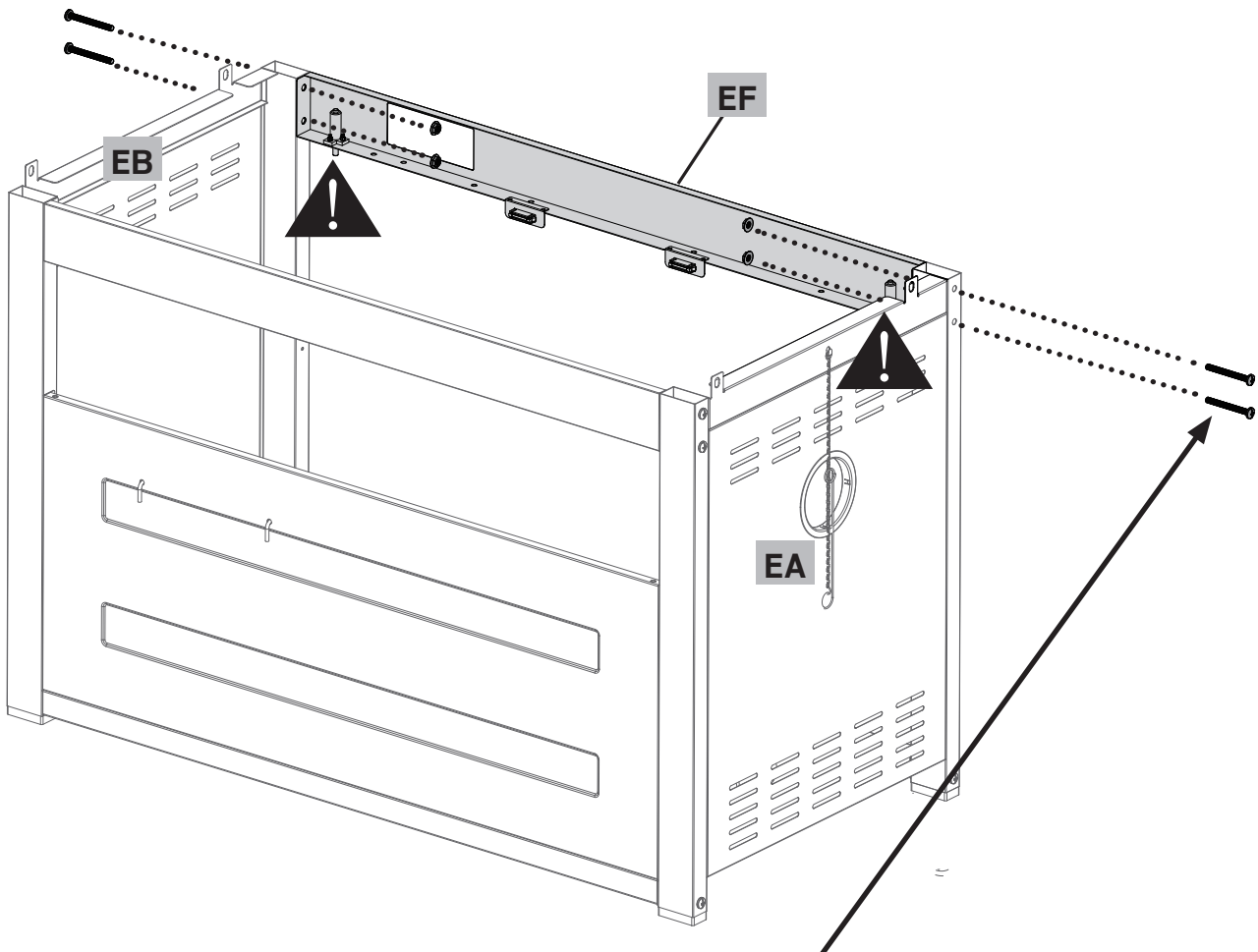
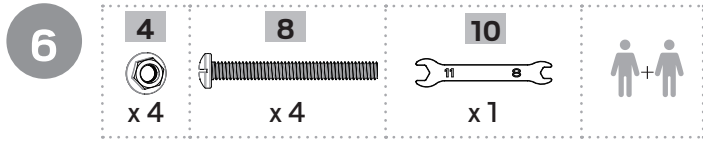
ASSEMBLY INSTRUCTIONS

5

4  x 4	8  x 4	10  x 1	
--	--	---	---



ASSEMBLY INSTRUCTIONS



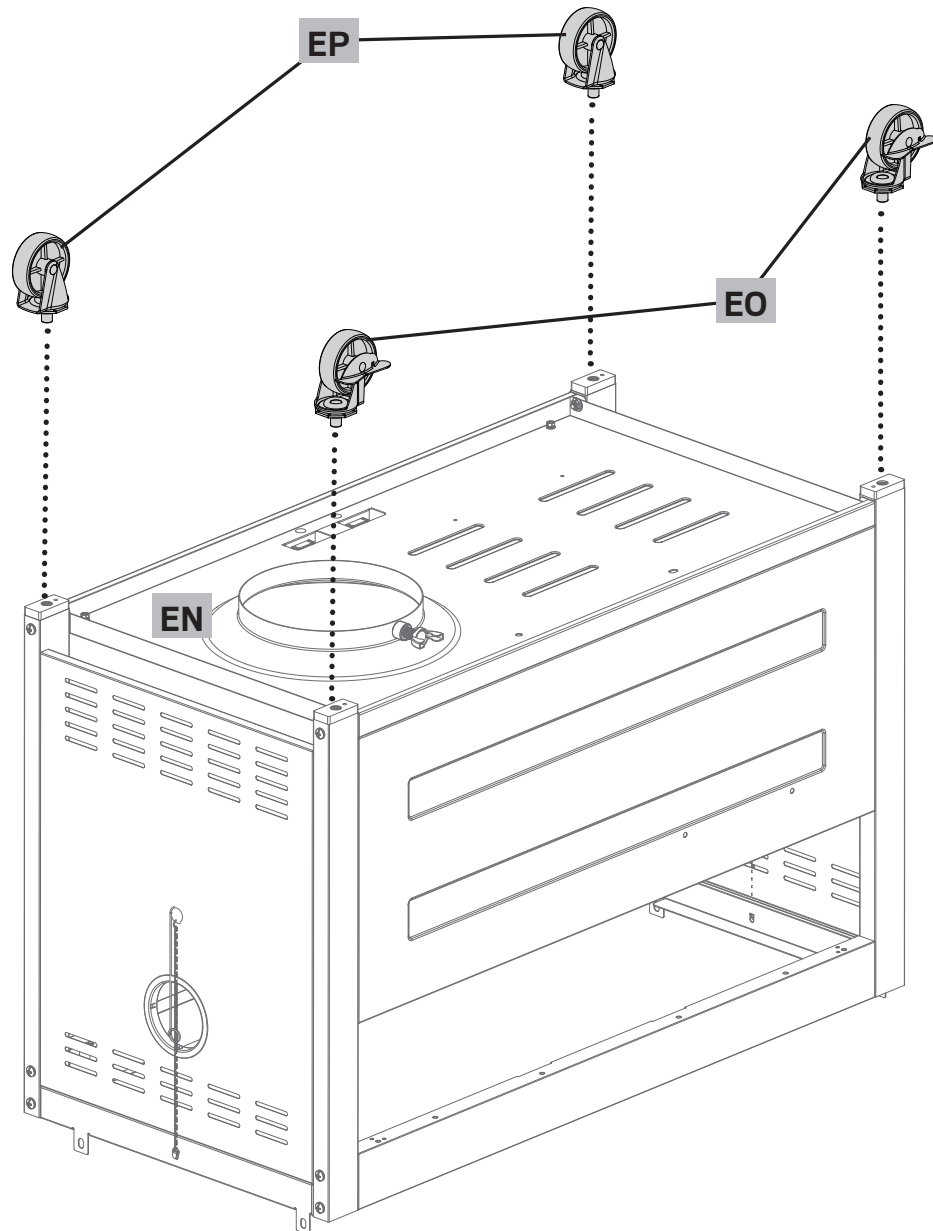
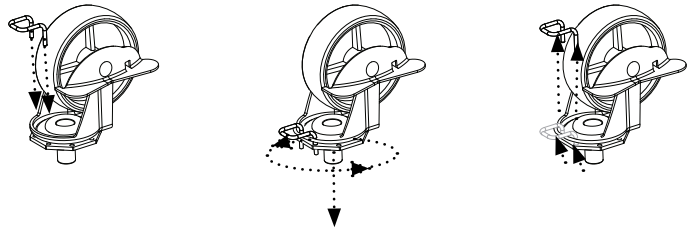
ASSEMBLY INSTRUCTIONS

7

7

x1

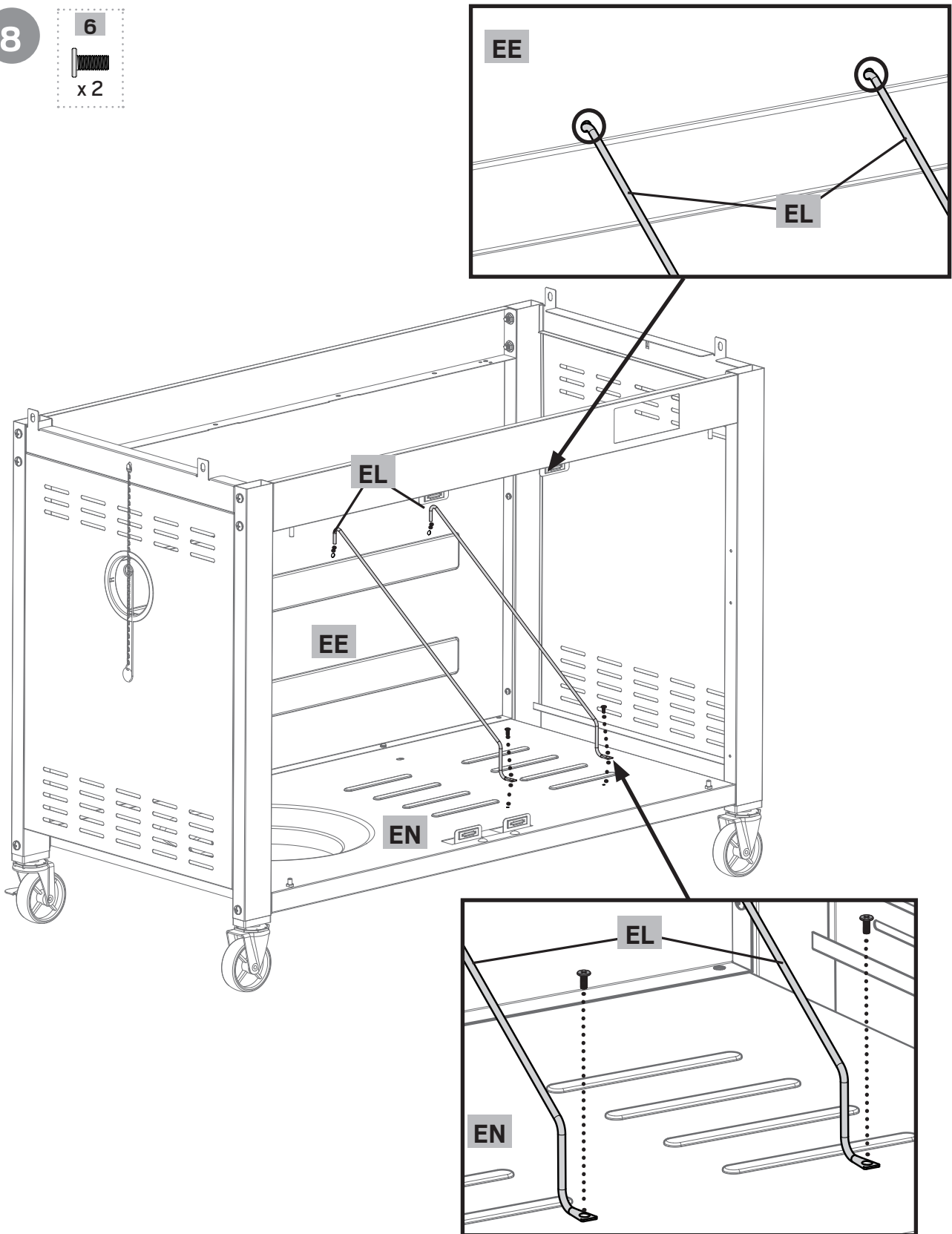

x4



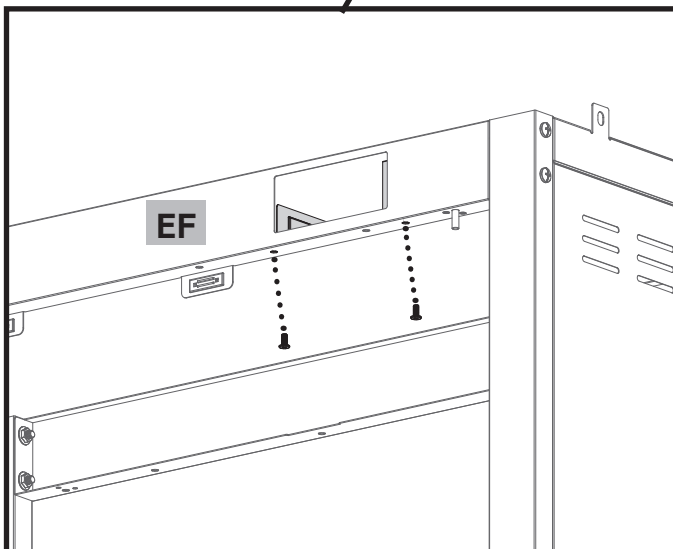
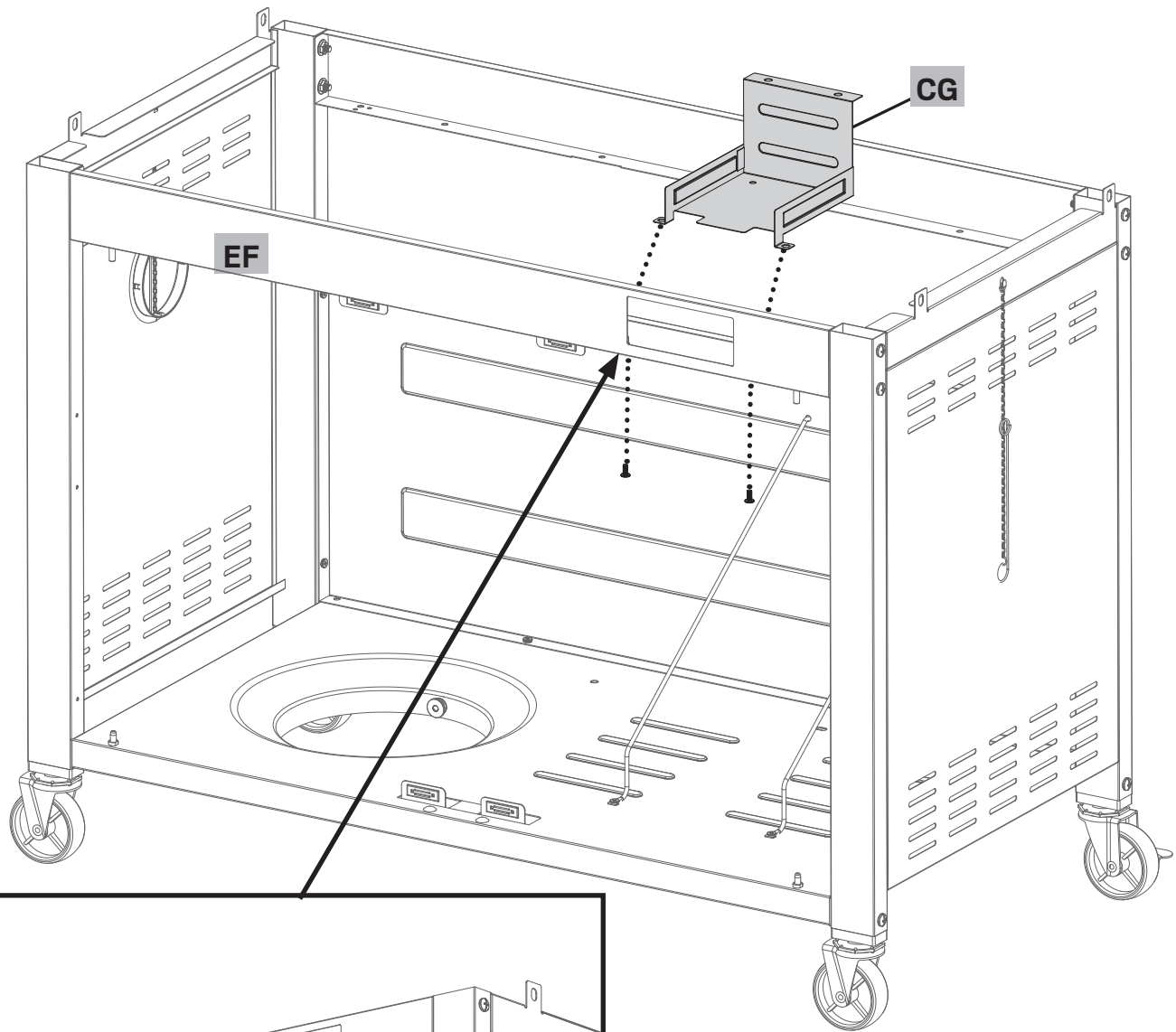
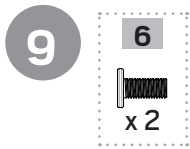
ASSEMBLY INSTRUCTIONS

8

6
x 2



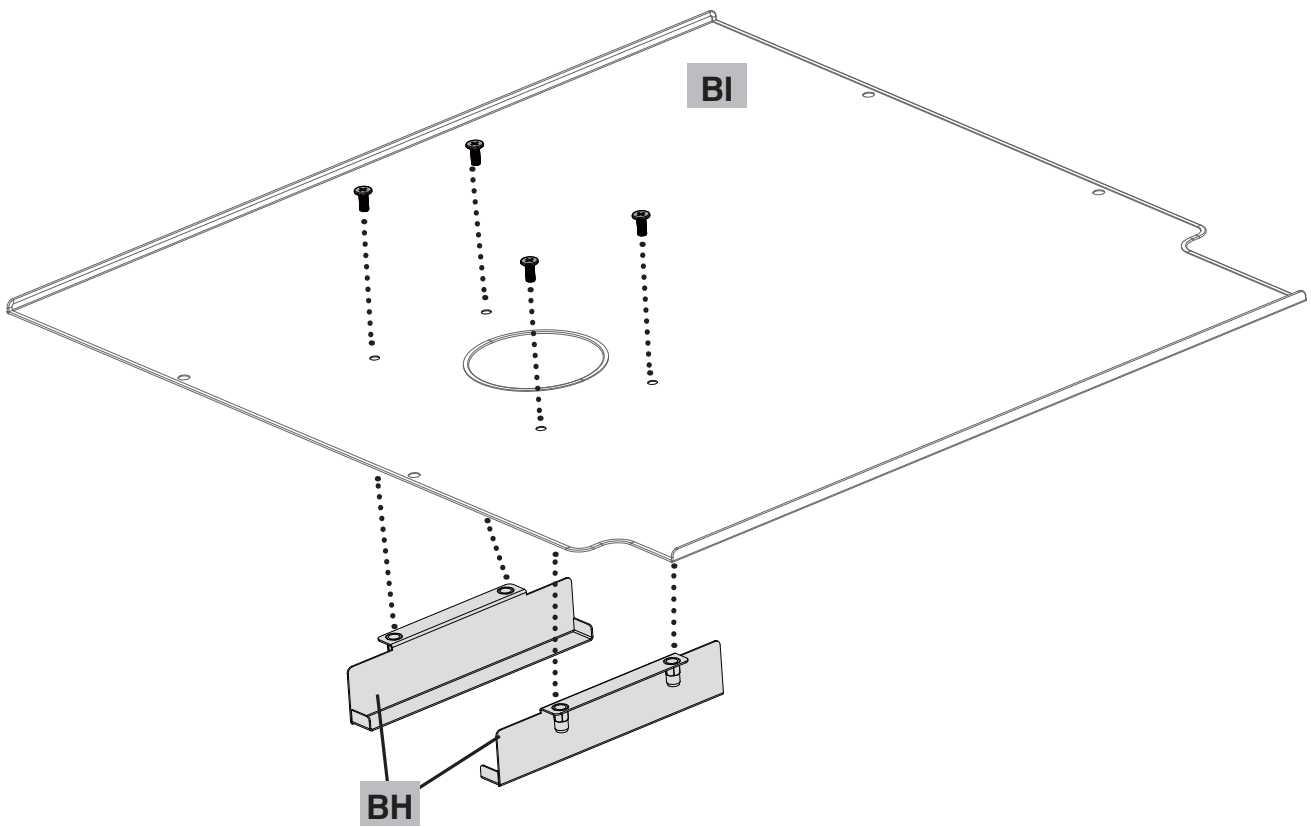

ASSEMBLY INSTRUCTIONS



ASSEMBLY INSTRUCTIONS

10

6
x 4



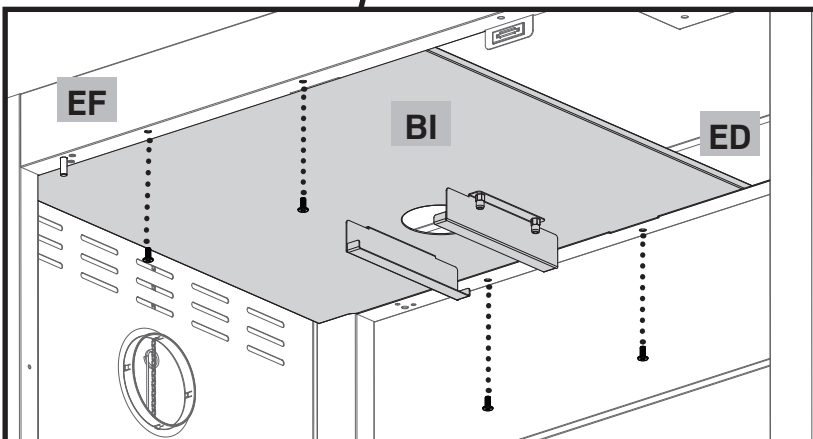
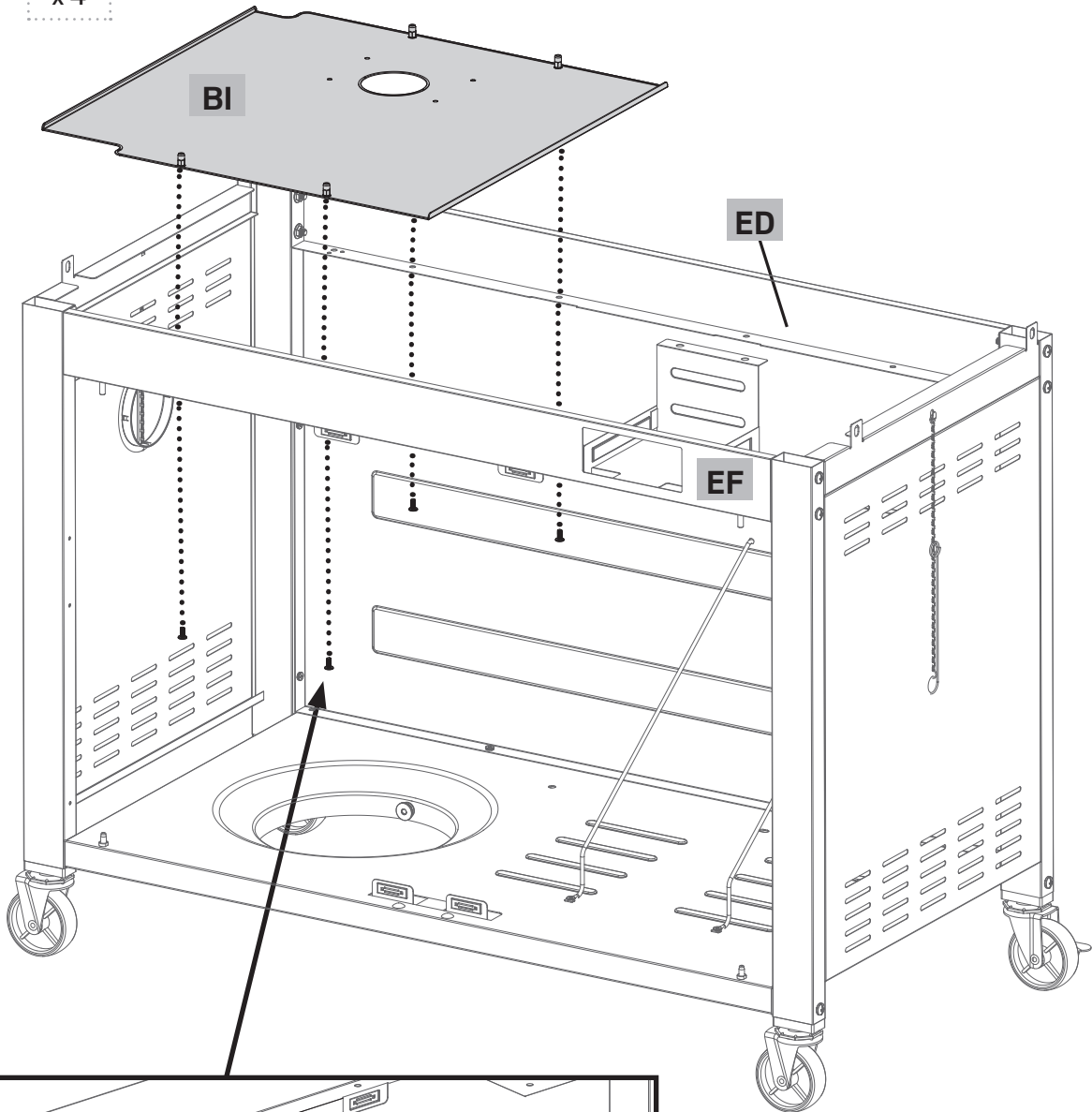
ASSEMBLY INSTRUCTIONS

11

6

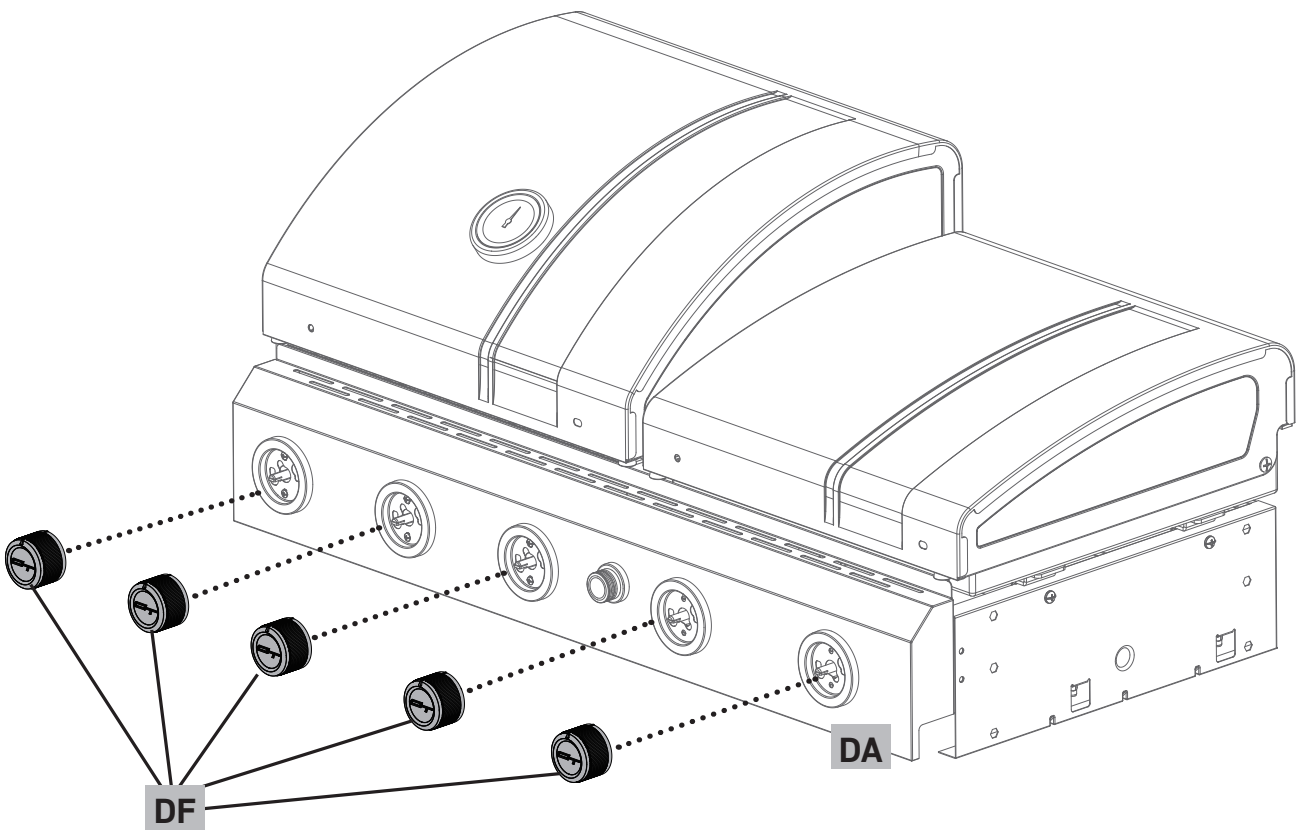

x 4

Attention: Adjust the upper back panel (ED) to assemble the heat shield (BI).



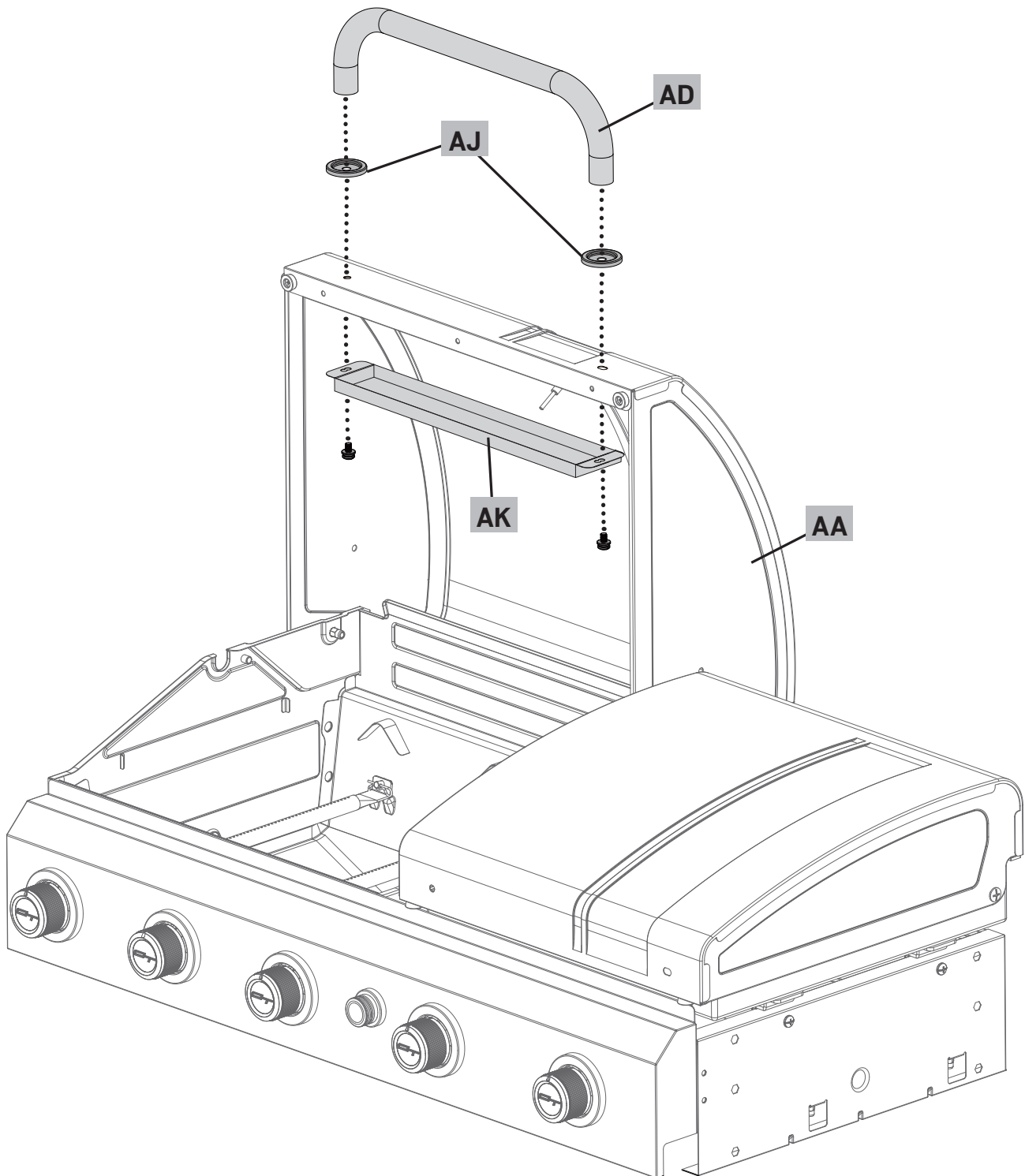
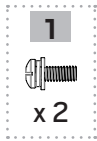
ASSEMBLY INSTRUCTIONS

12



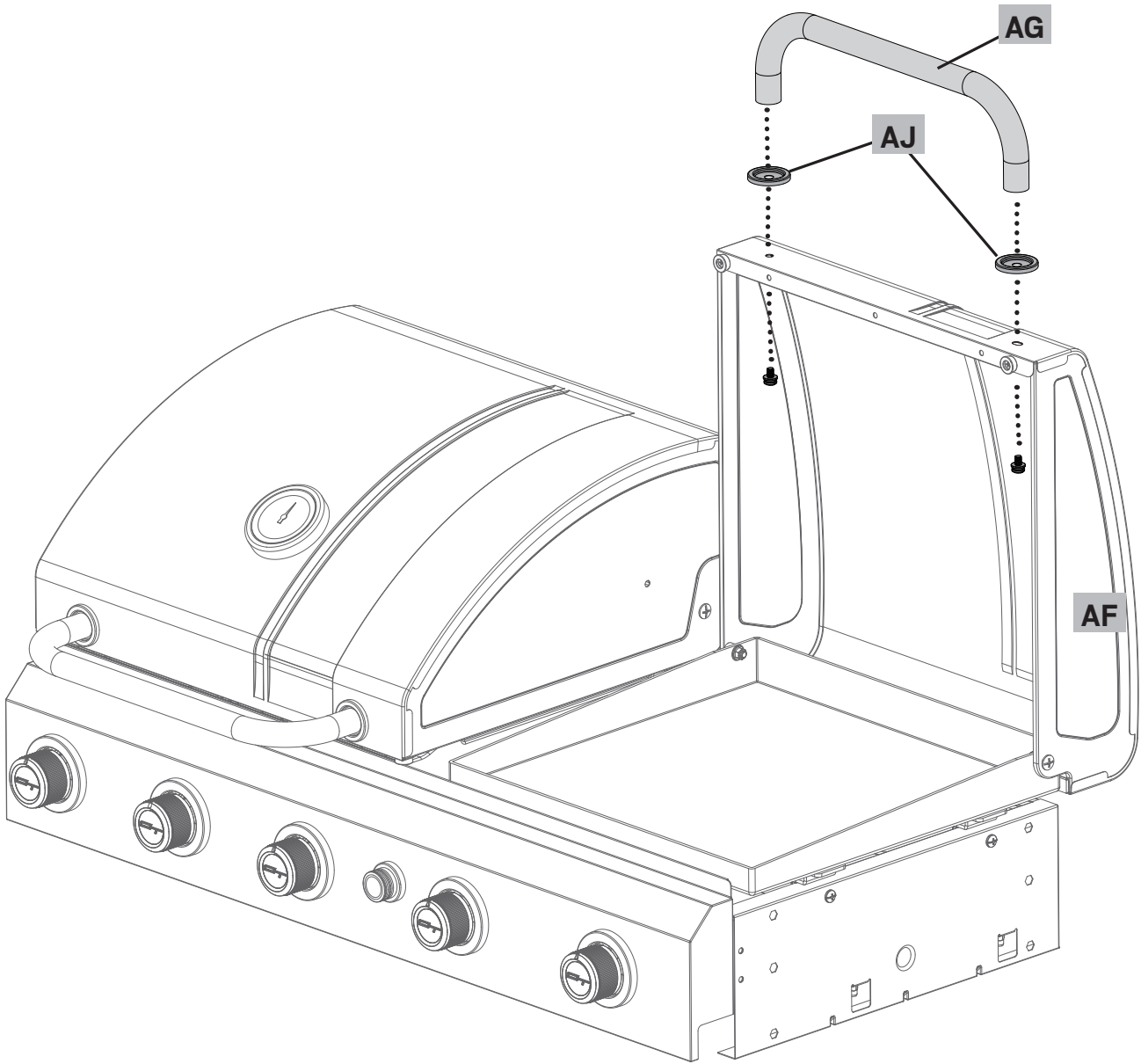
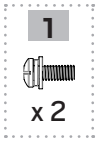
ASSEMBLY INSTRUCTIONS

13



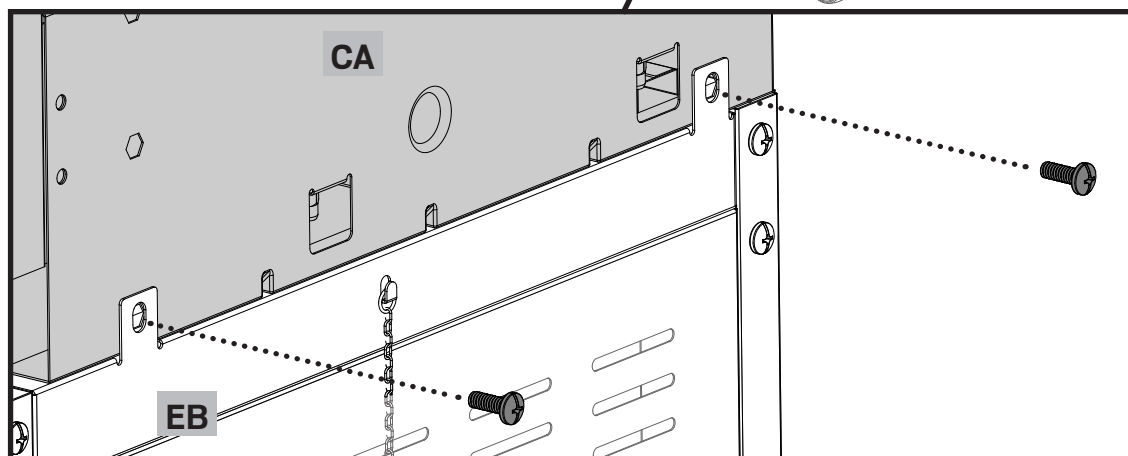
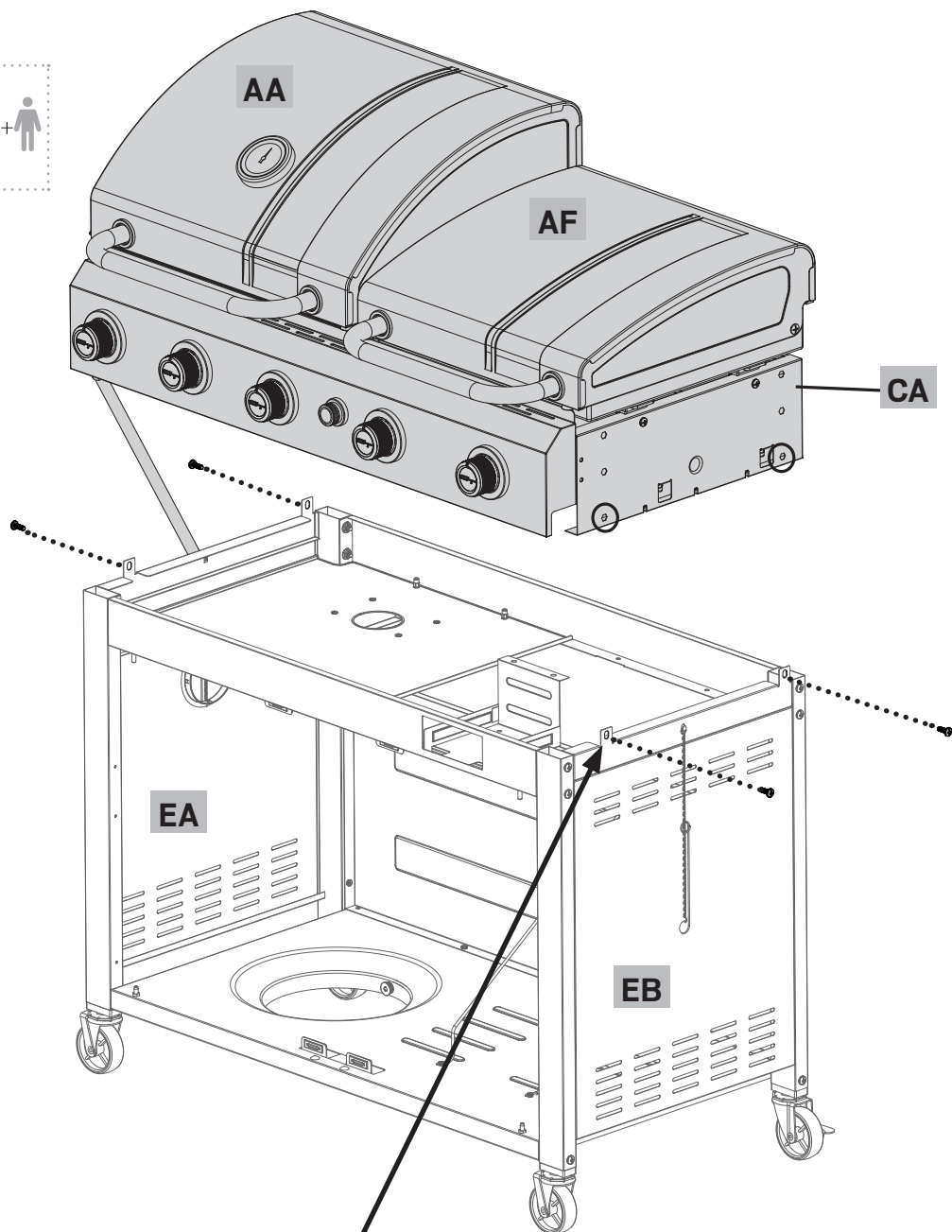
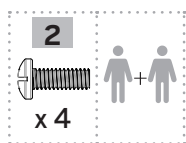
ASSEMBLY INSTRUCTIONS

14

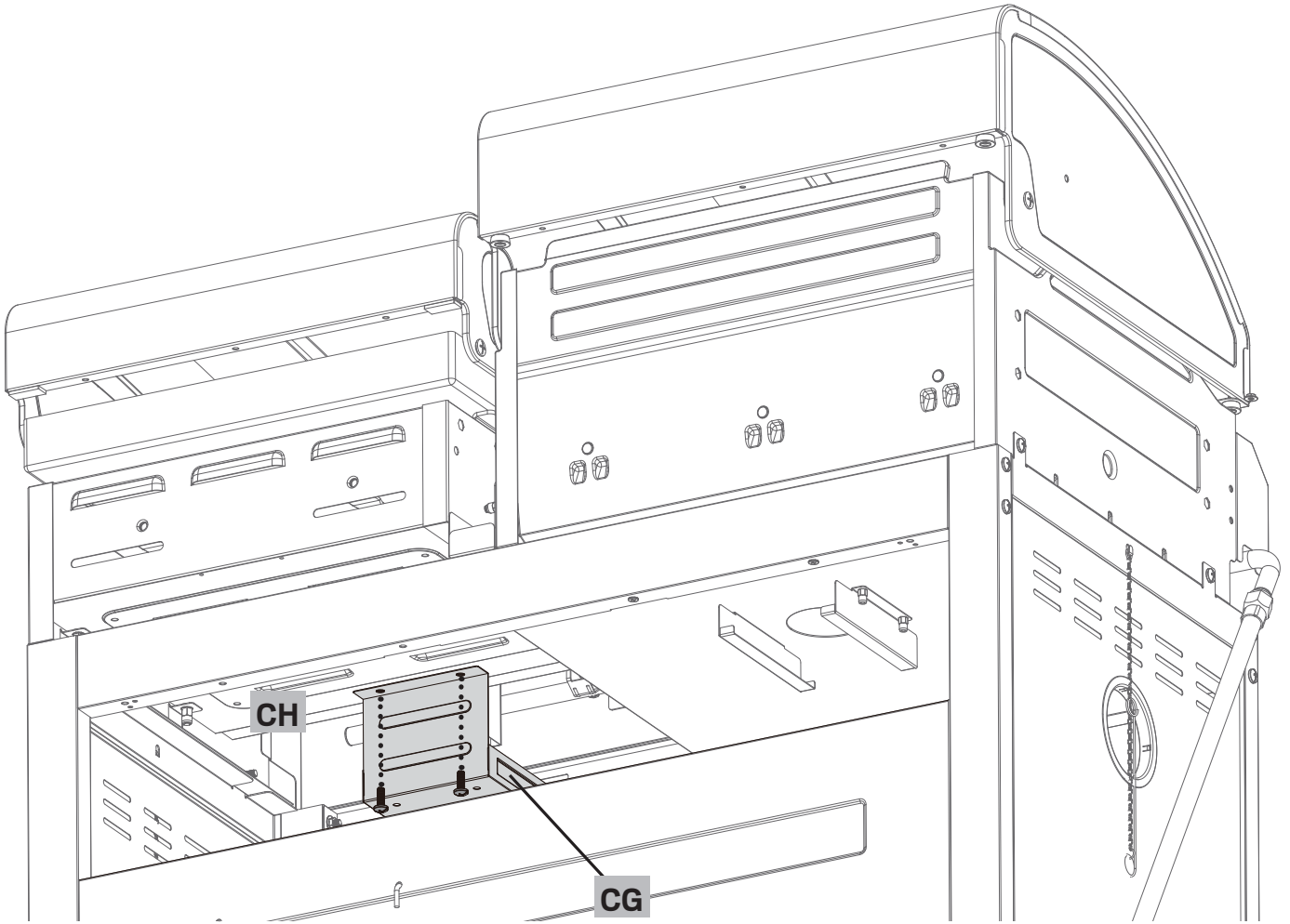
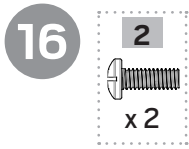


ASSEMBLY INSTRUCTIONS

15

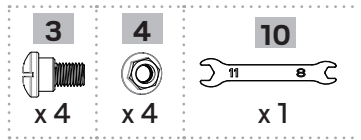


ASSEMBLY INSTRUCTIONS

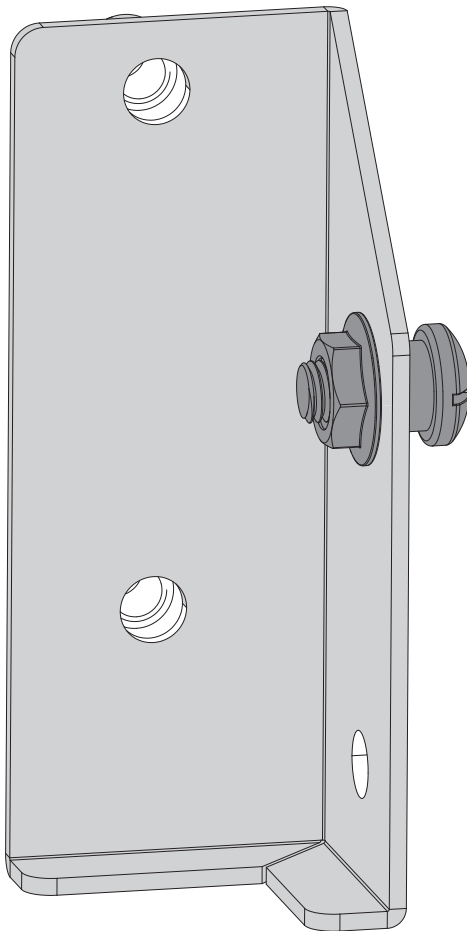


ASSEMBLY INSTRUCTIONS

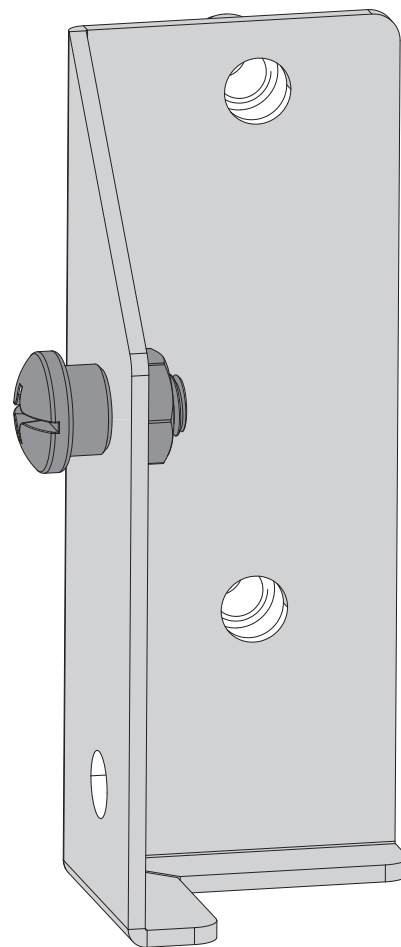
17A



FA x 2

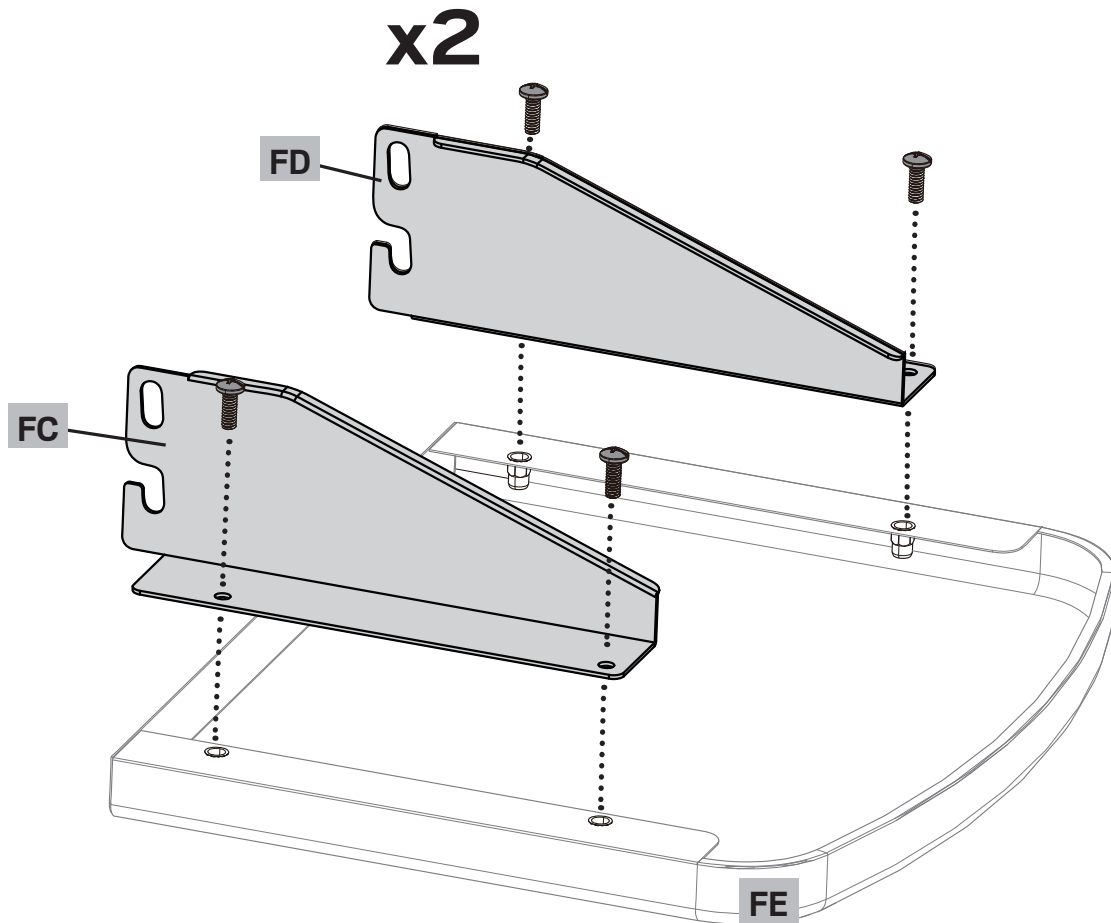
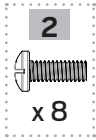


FB x 2



ASSEMBLY INSTRUCTIONS

17B



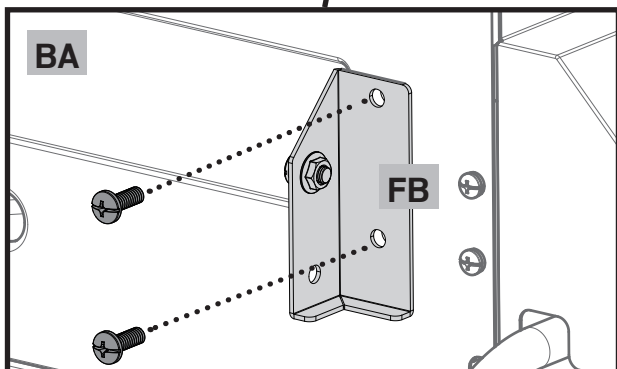
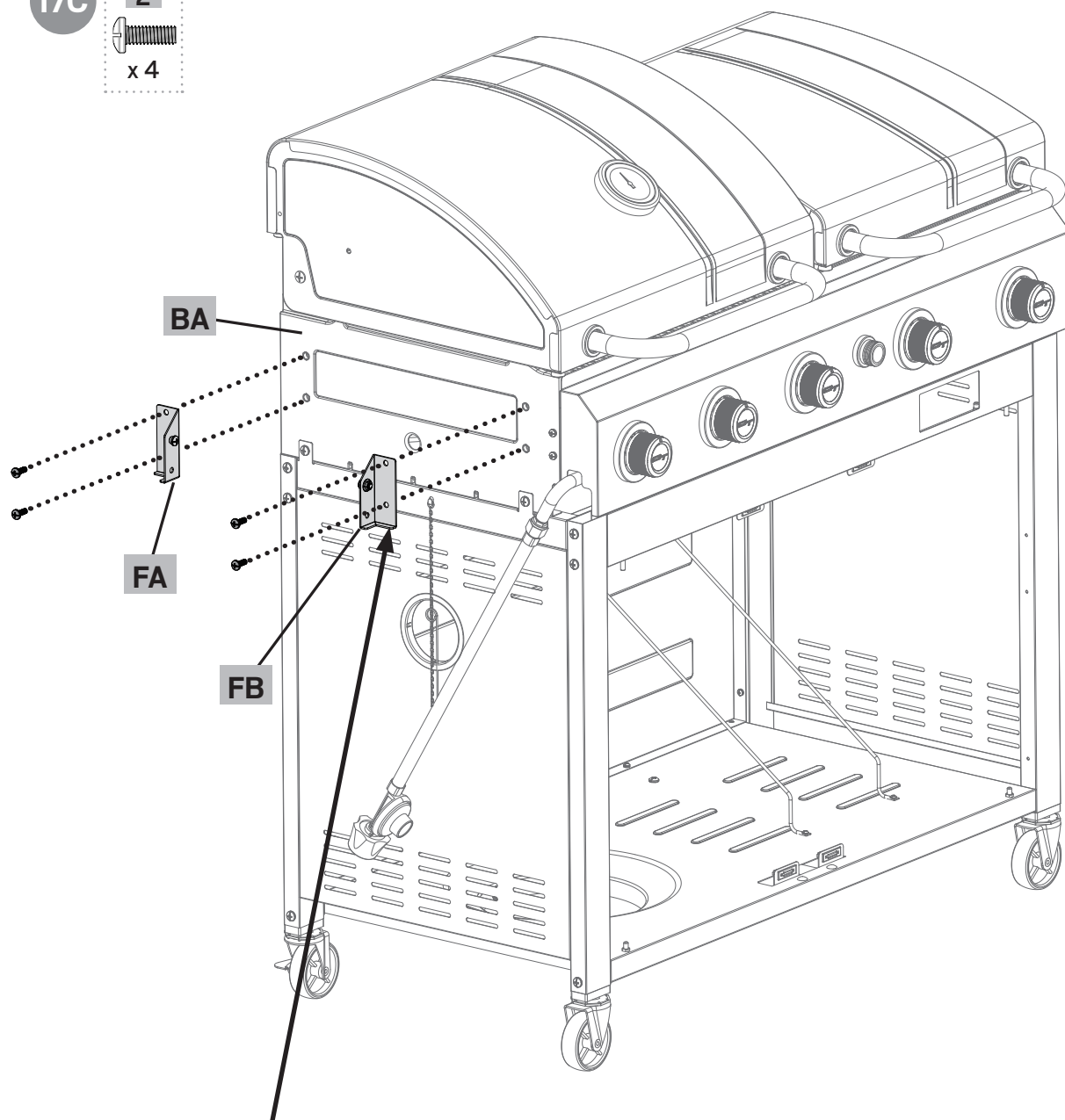
ASSEMBLY INSTRUCTIONS

17C

2

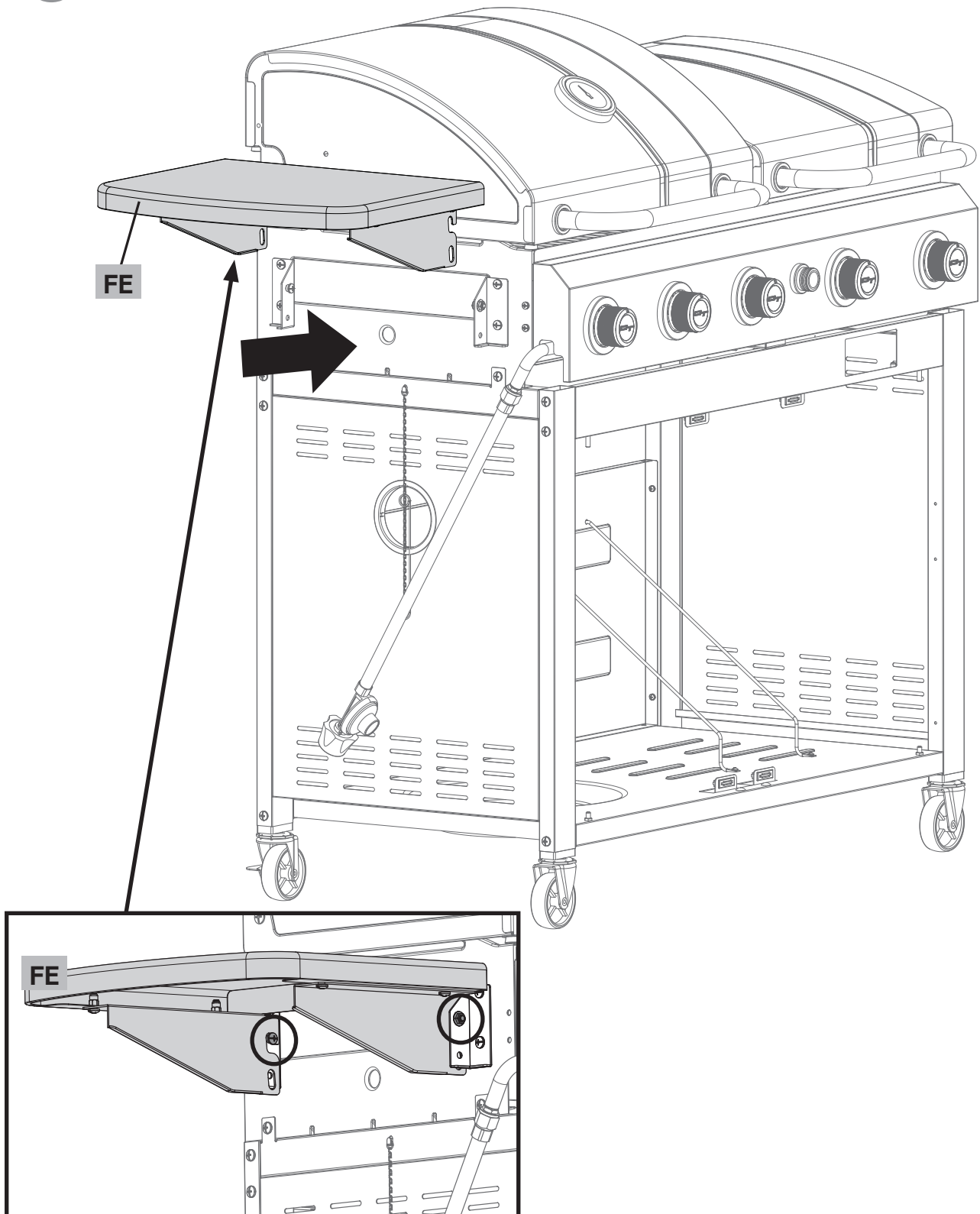


x 4



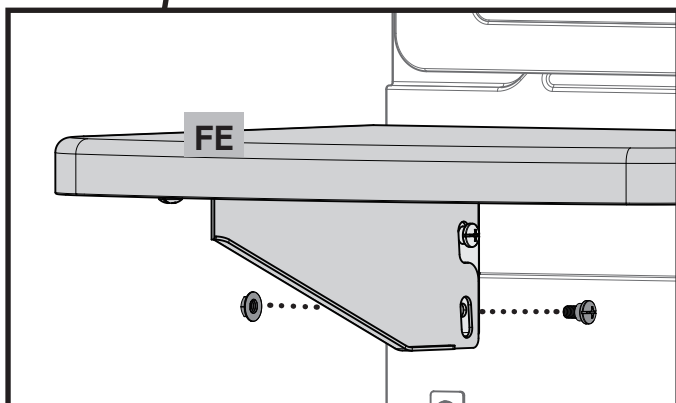
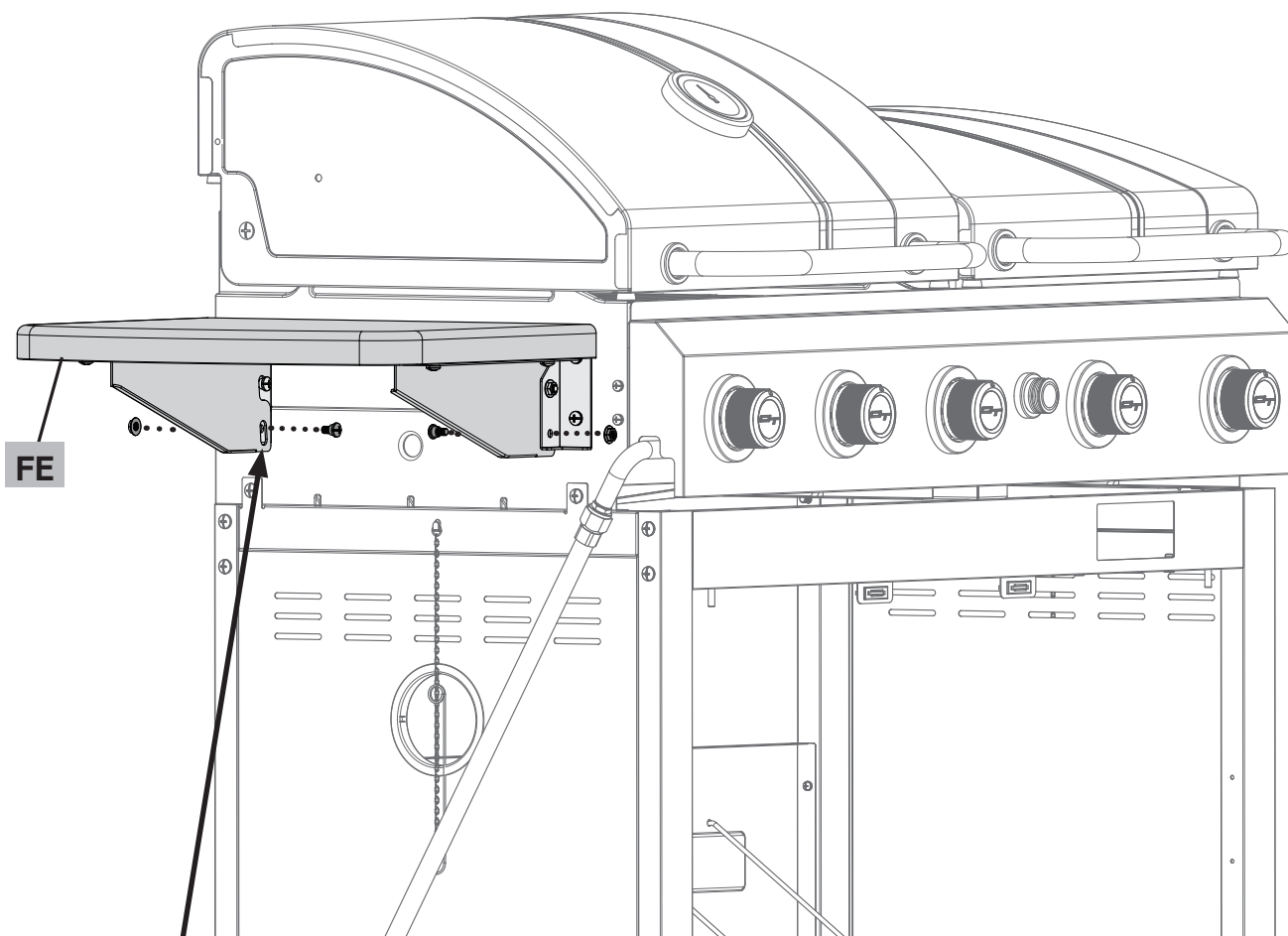
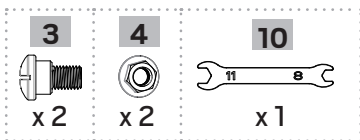
ASSEMBLY INSTRUCTIONS

17D



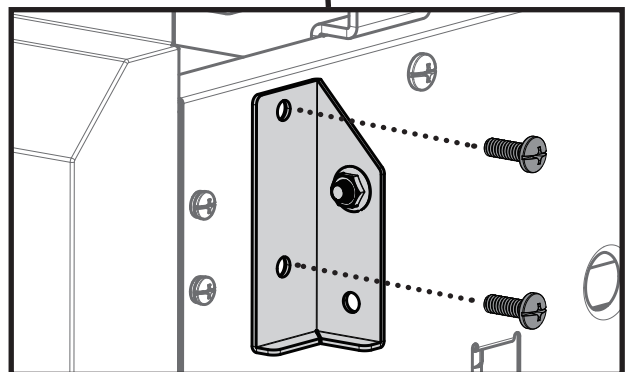
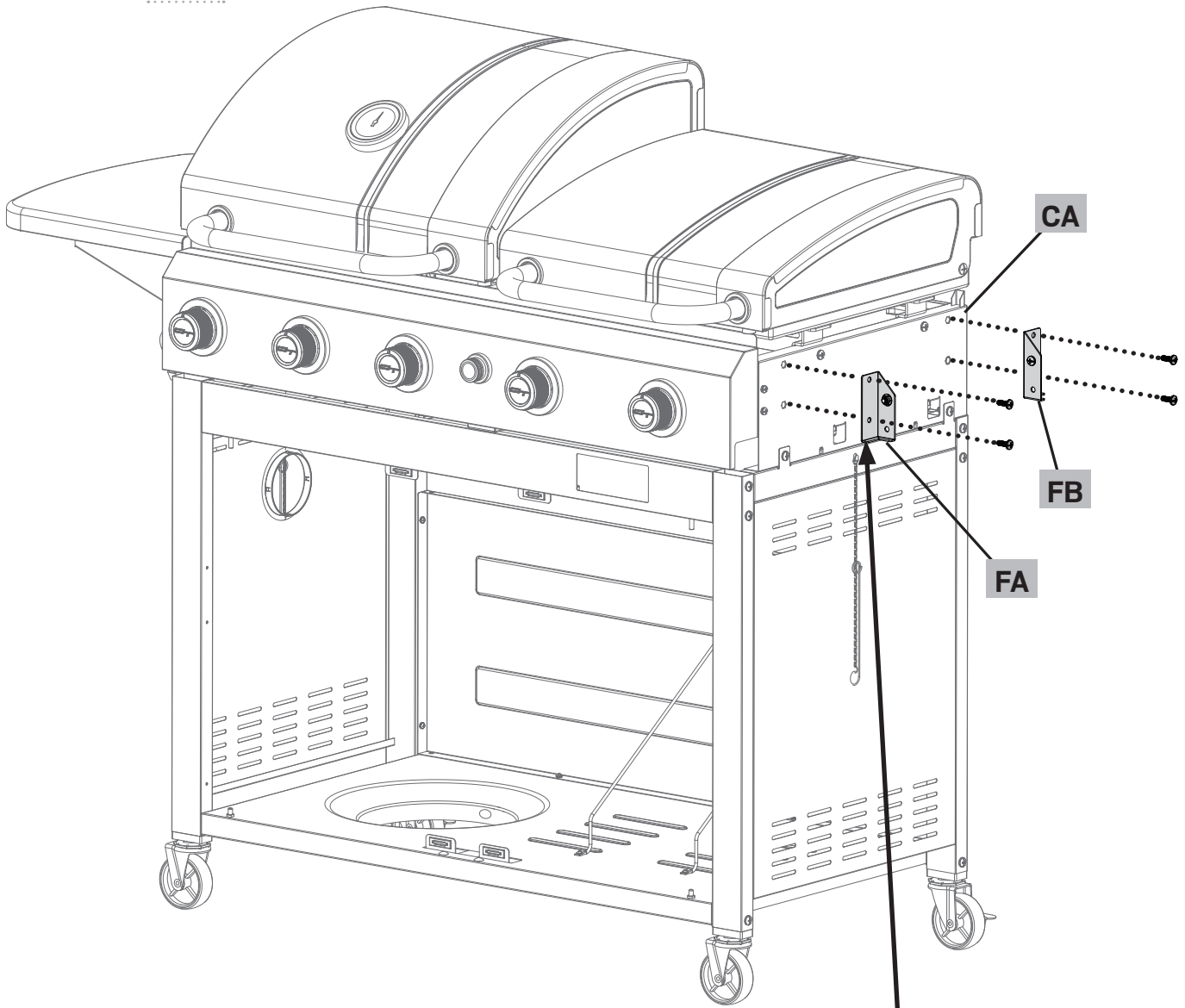
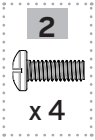
ASSEMBLY INSTRUCTIONS

17E



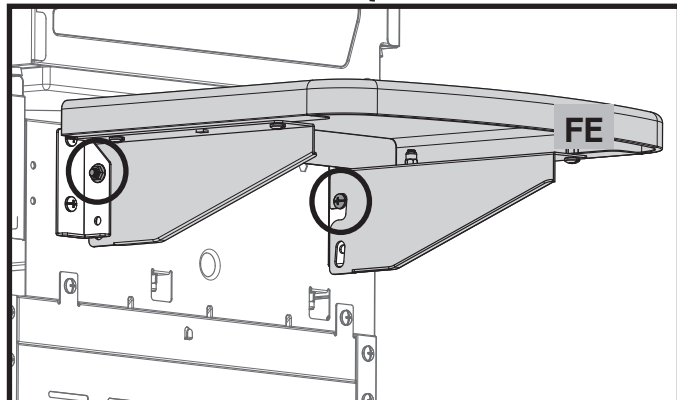
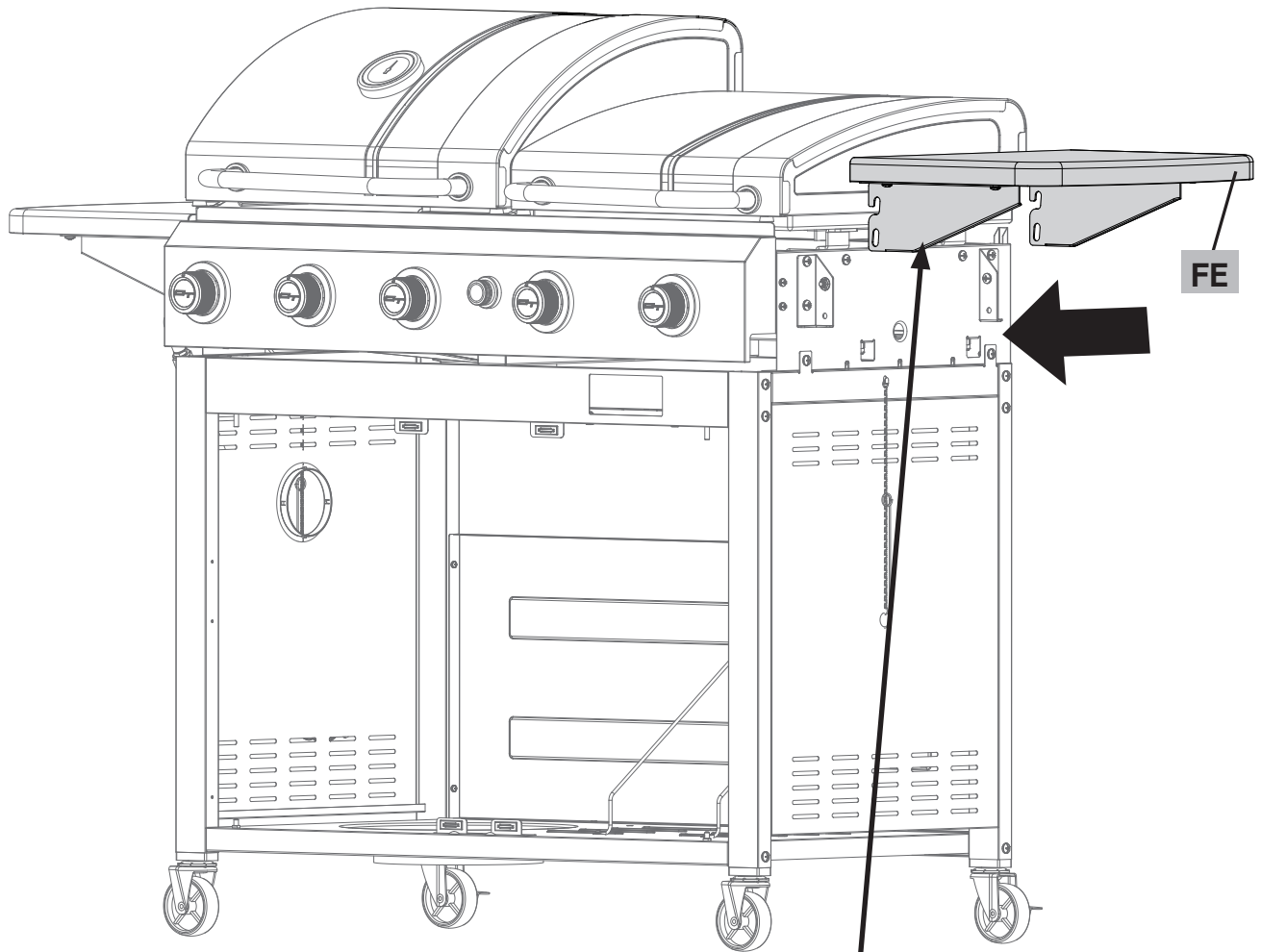
ASSEMBLY INSTRUCTIONS

17F



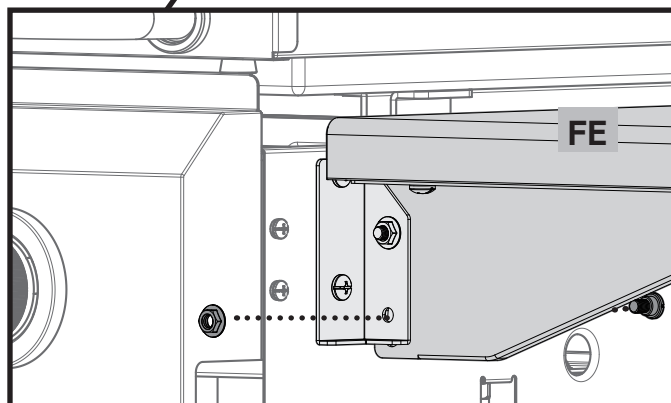
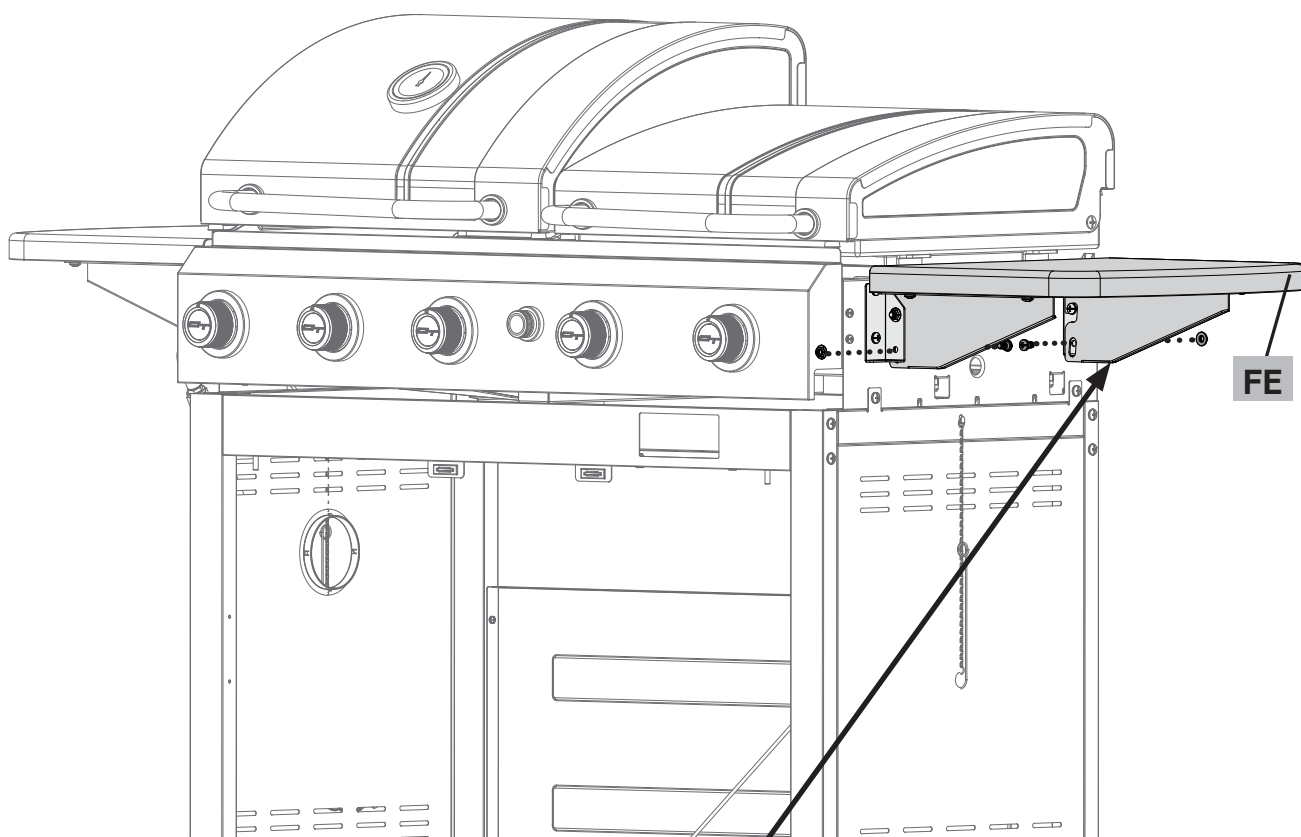
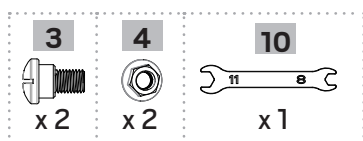
ASSEMBLY INSTRUCTIONS

17G



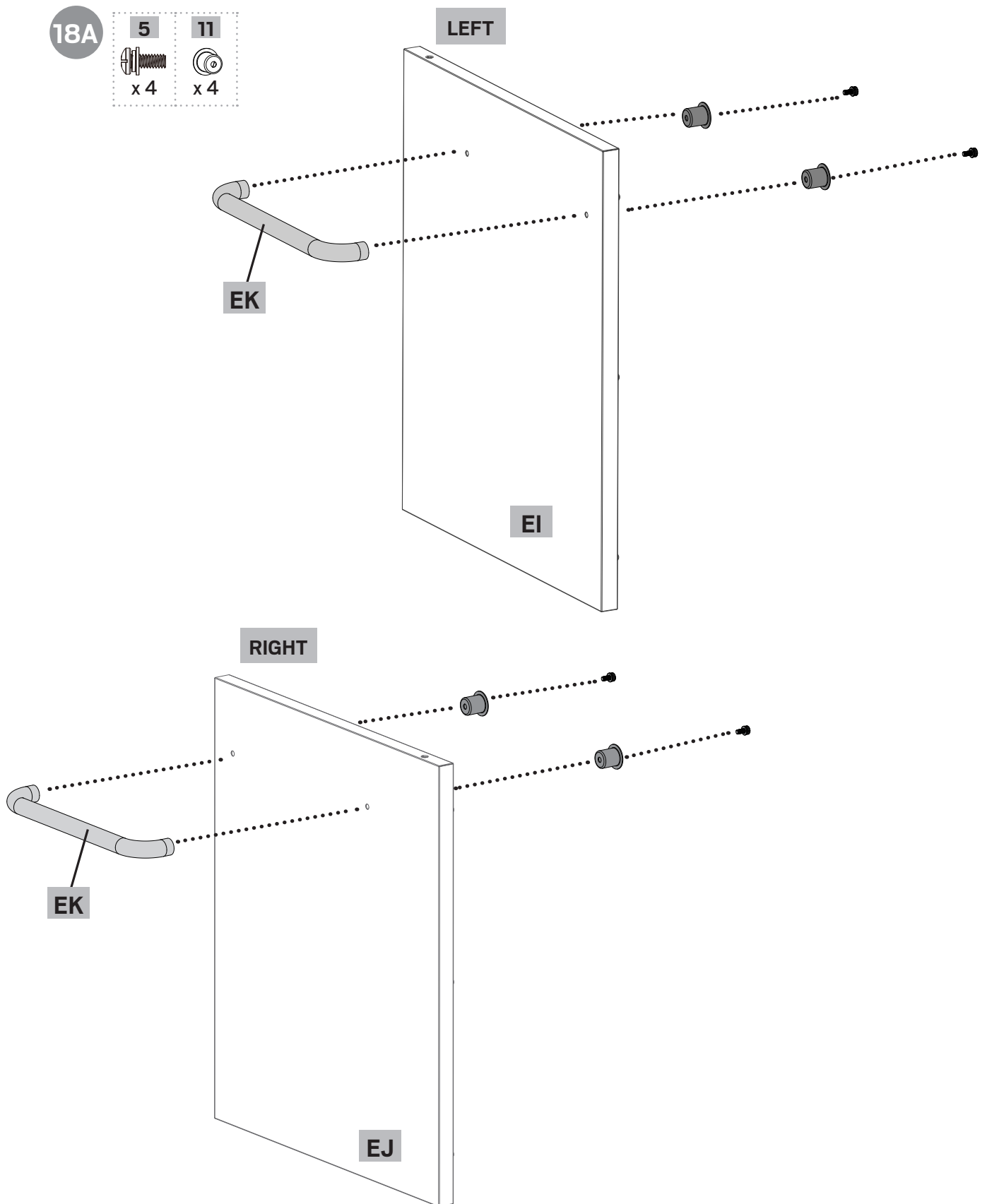
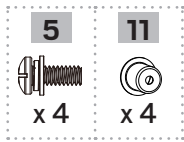
ASSEMBLY INSTRUCTIONS

17H



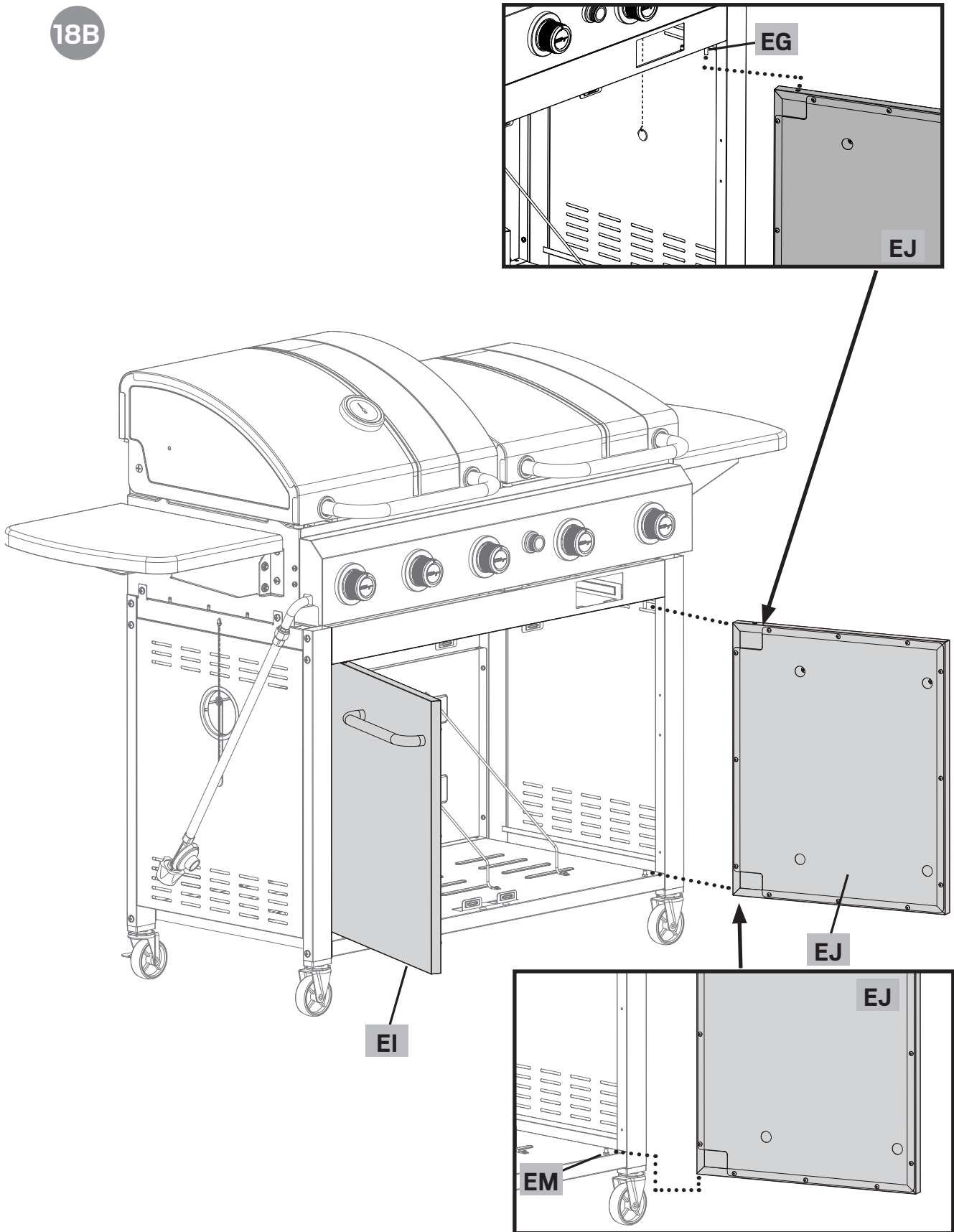
ASSEMBLY INSTRUCTIONS

18A



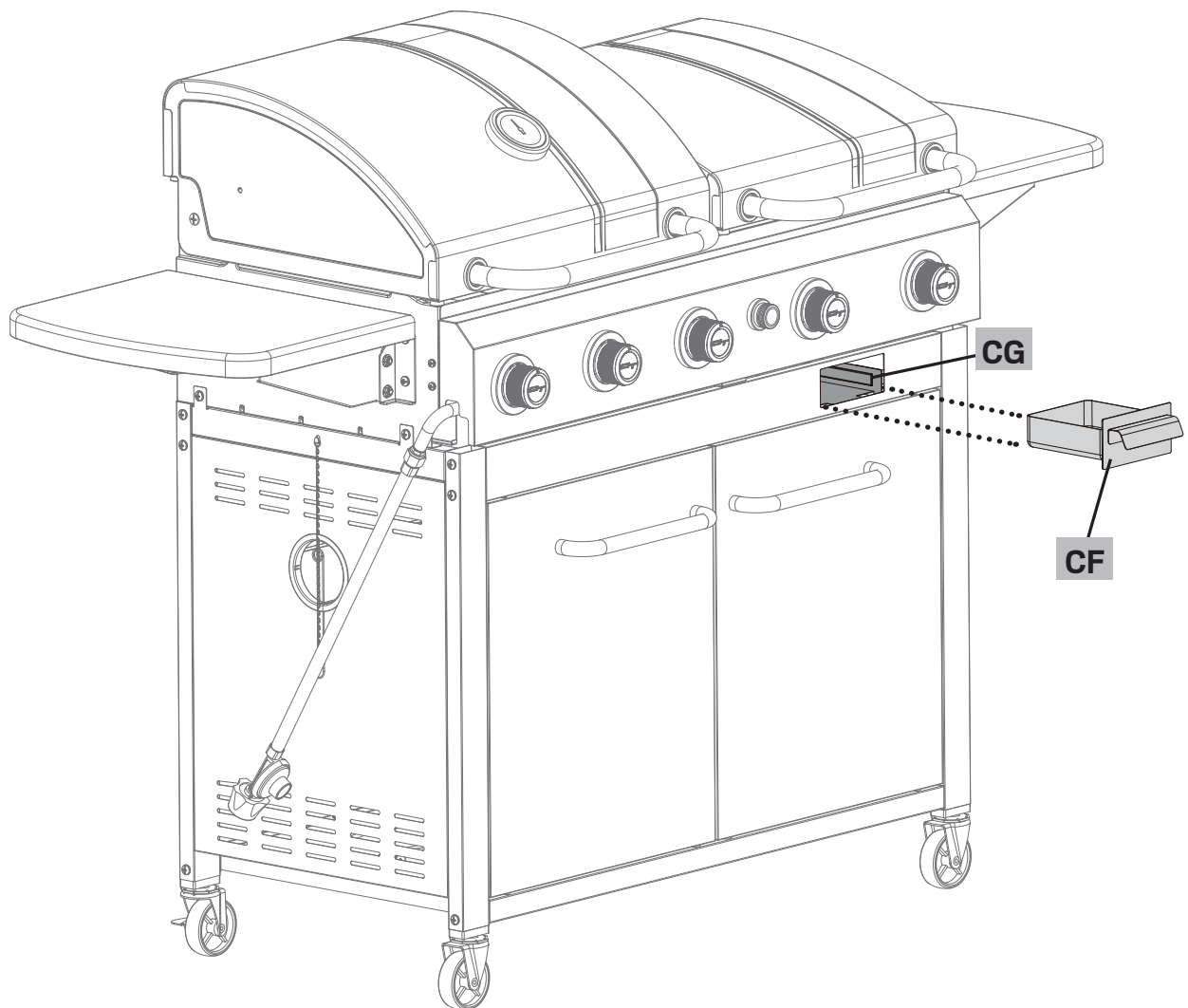
ASSEMBLY INSTRUCTIONS

18B



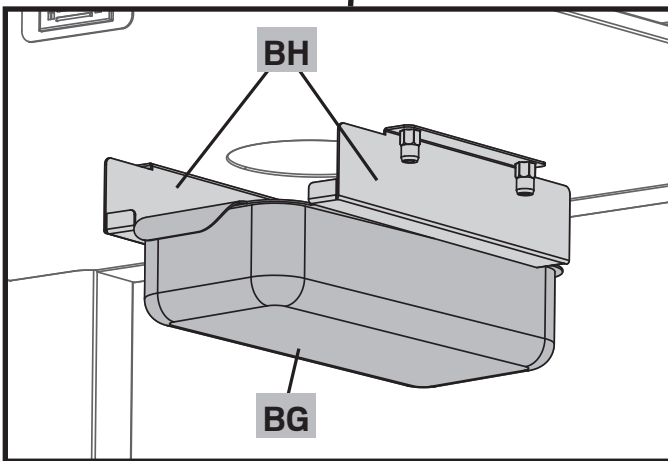
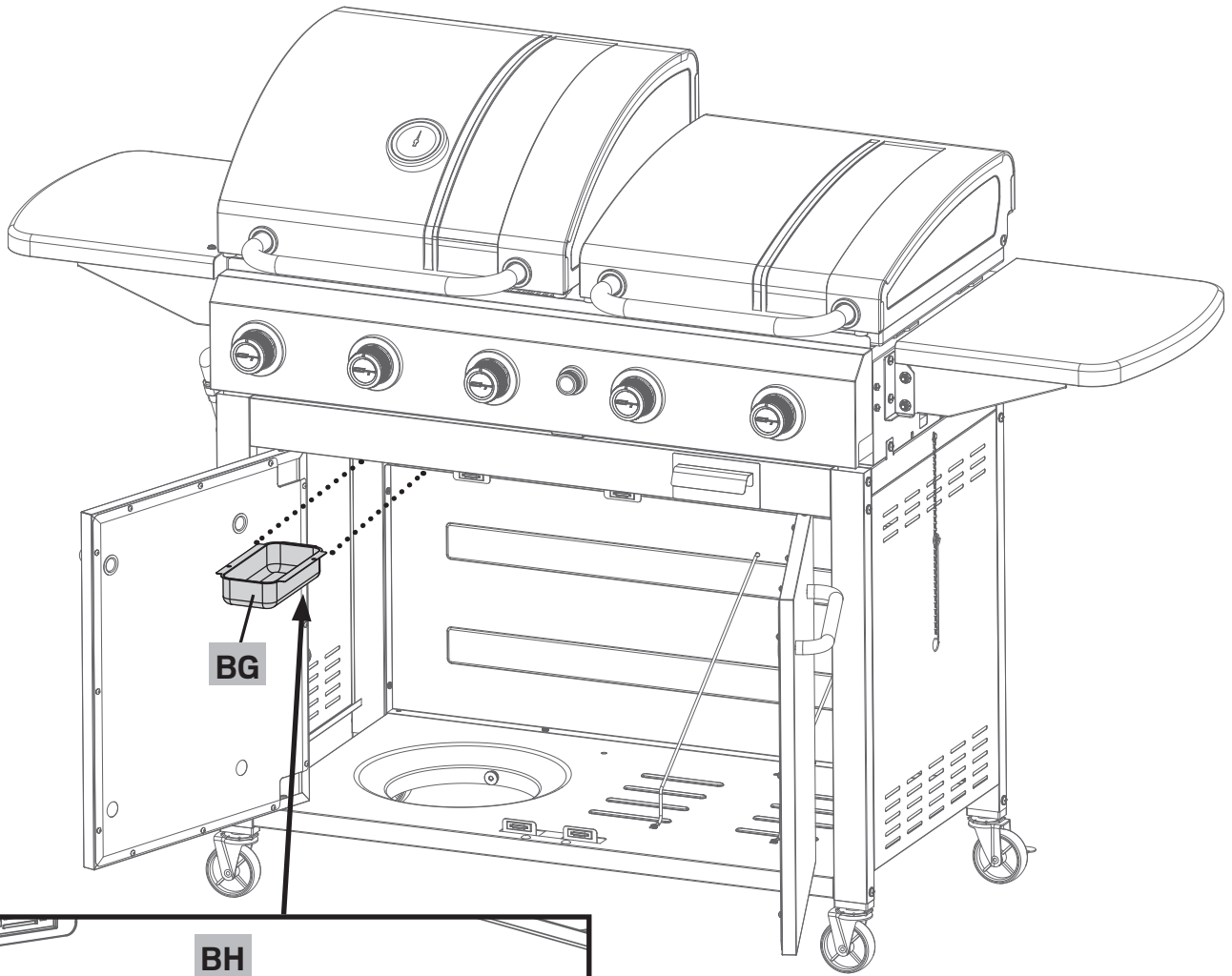
ASSEMBLY INSTRUCTIONS

19A



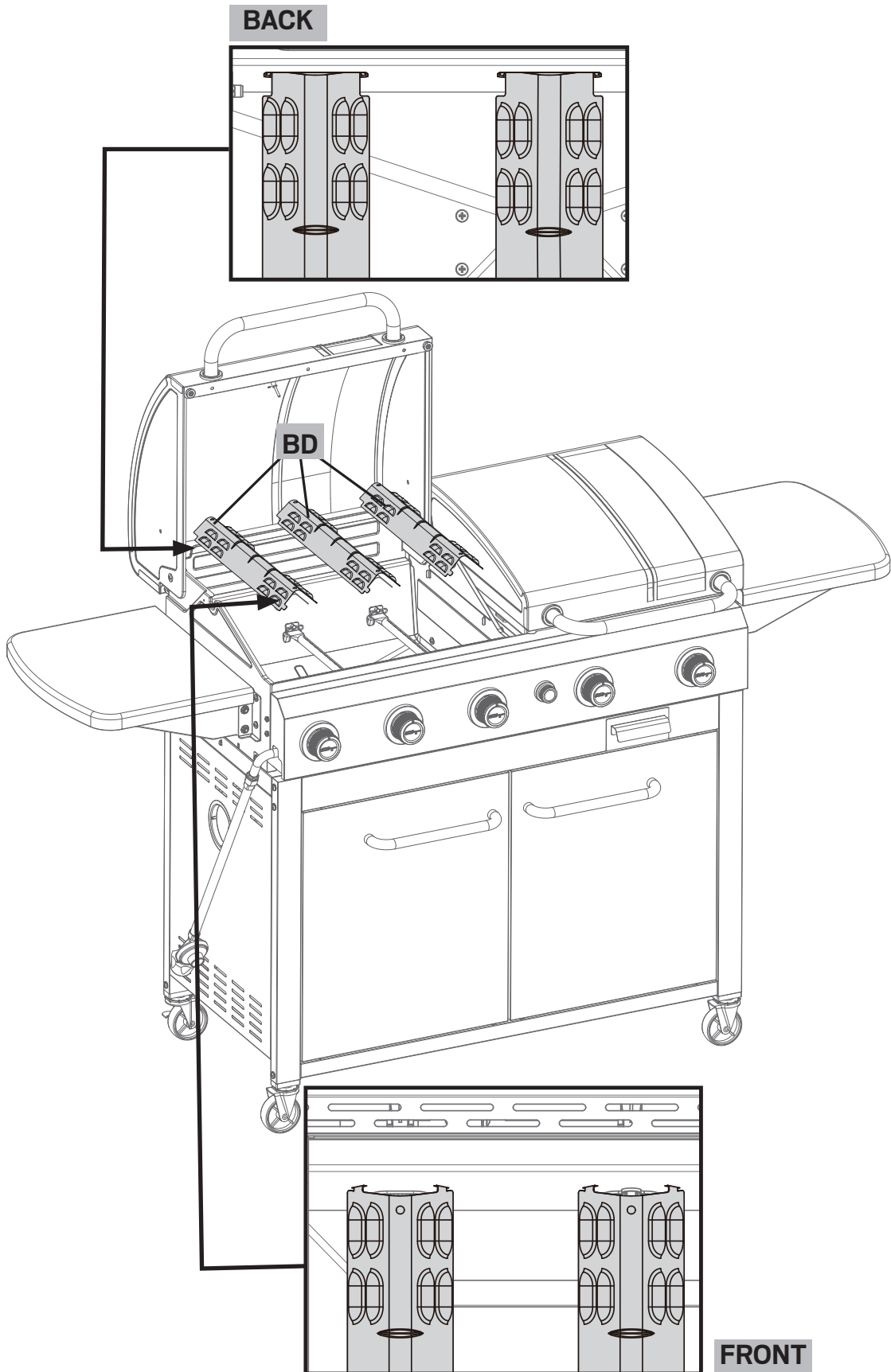
ASSEMBLY INSTRUCTIONS

19B



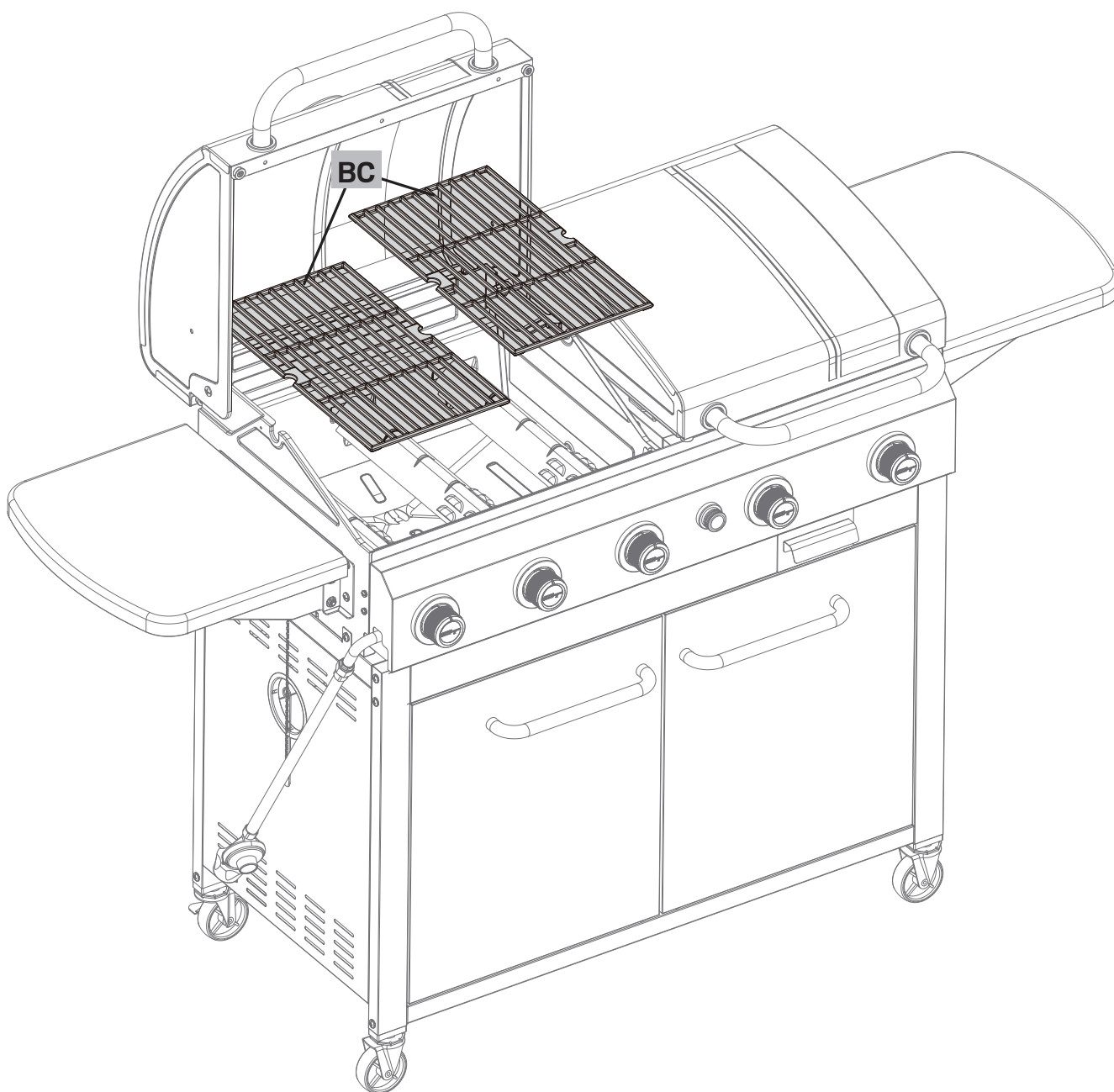
ASSEMBLY INSTRUCTIONS

20



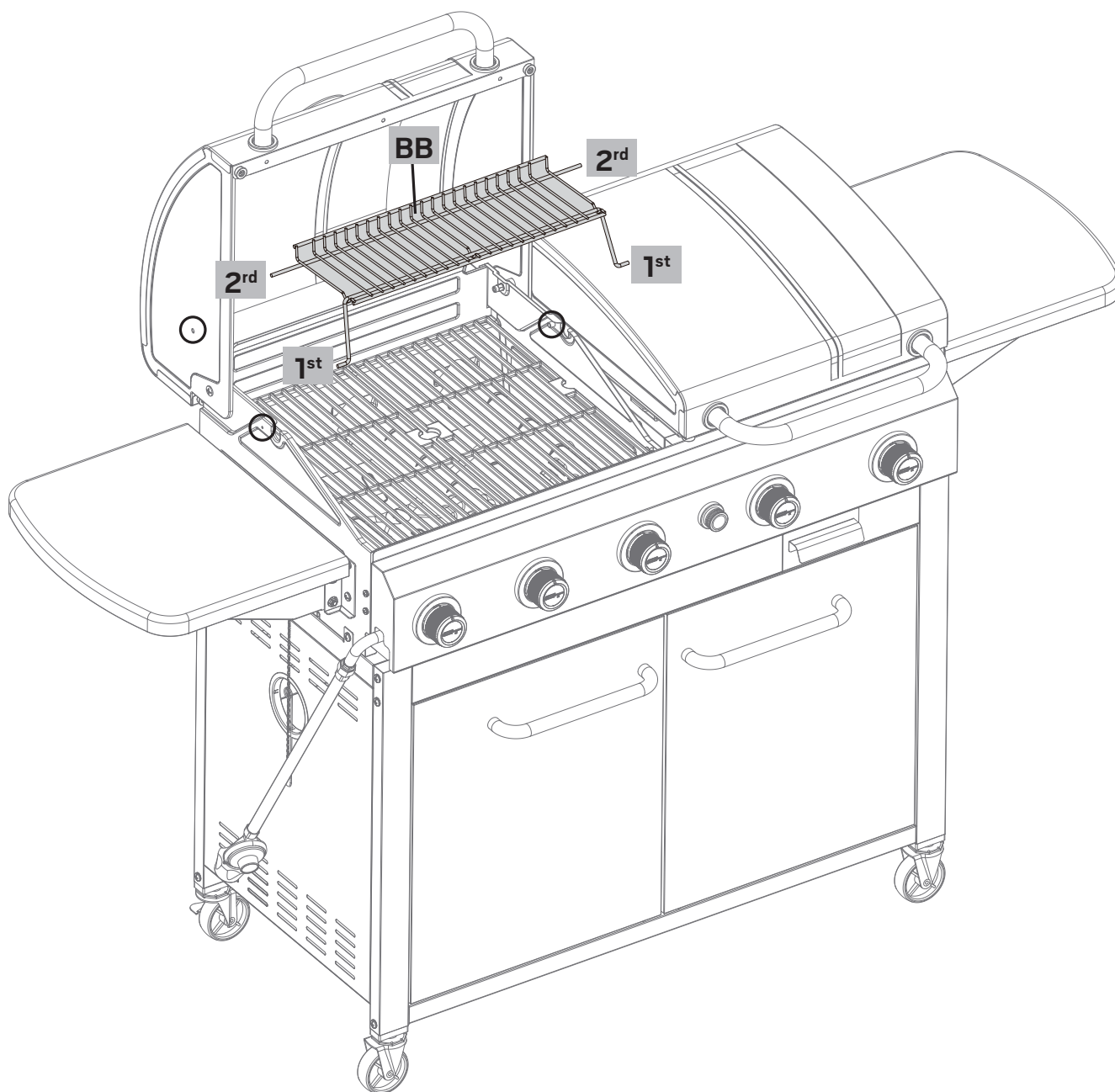
ASSEMBLY INSTRUCTIONS

21



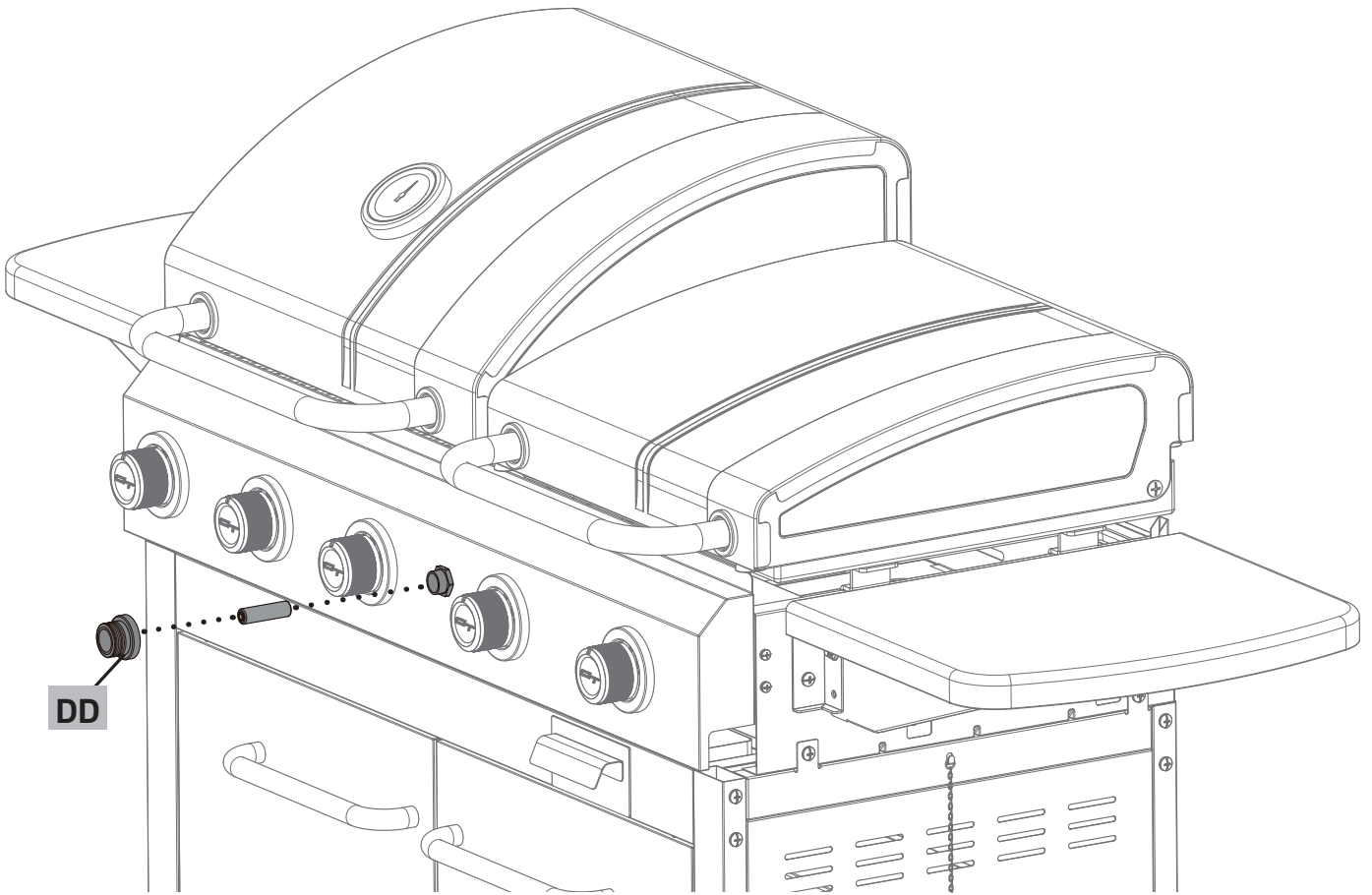
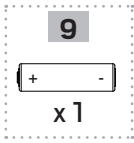
ASSEMBLY INSTRUCTIONS

22



ASSEMBLY INSTRUCTIONS

23



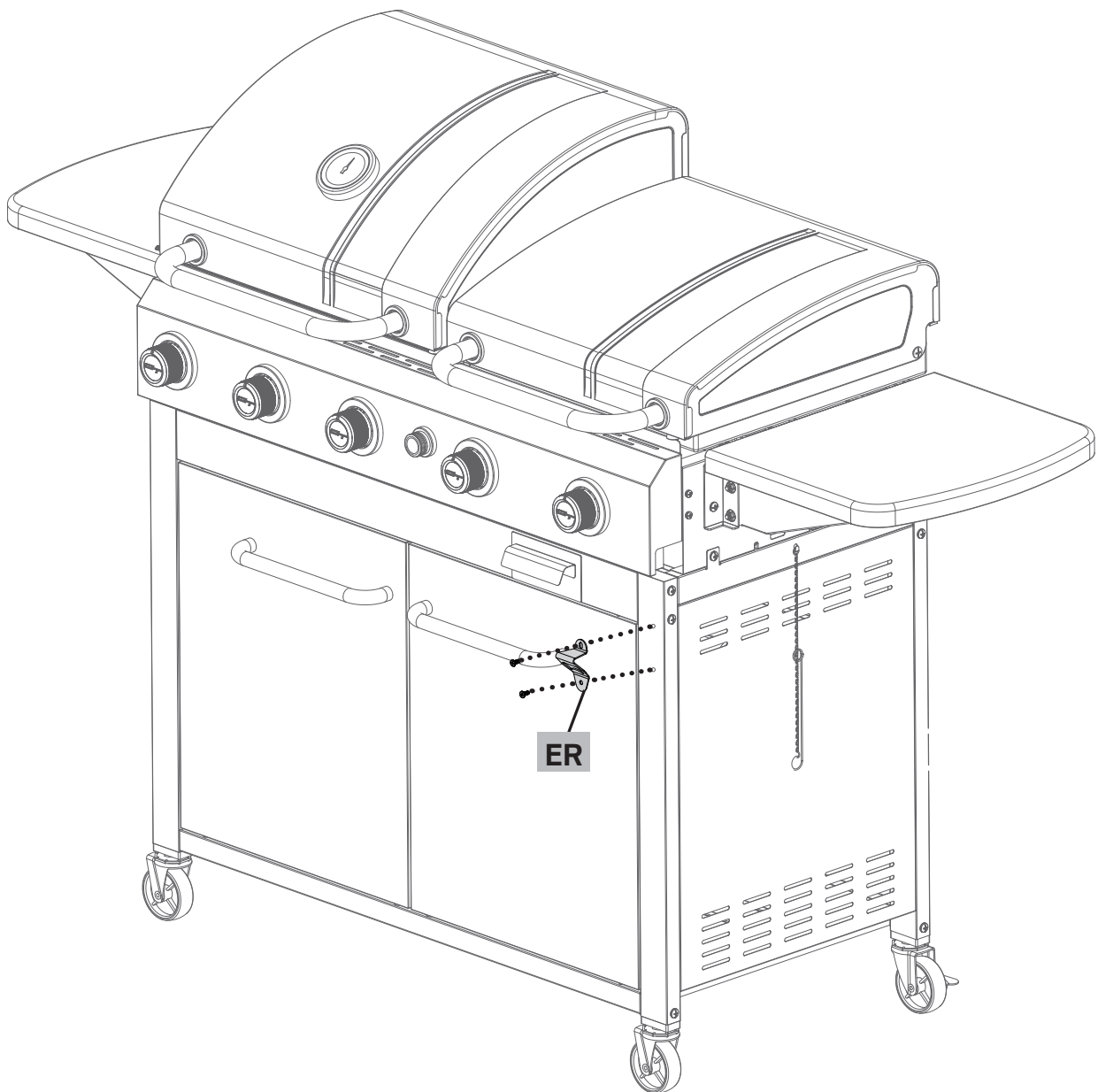
ASSEMBLY INSTRUCTIONS

24

6

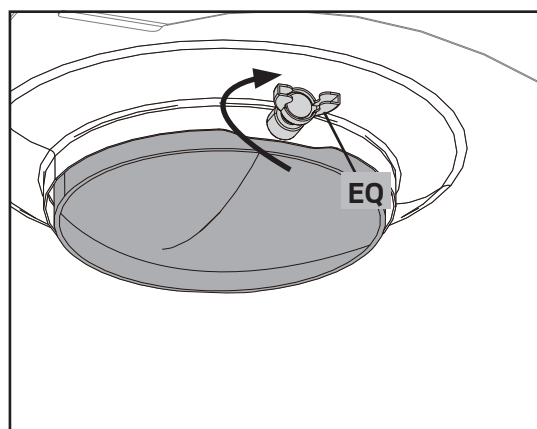
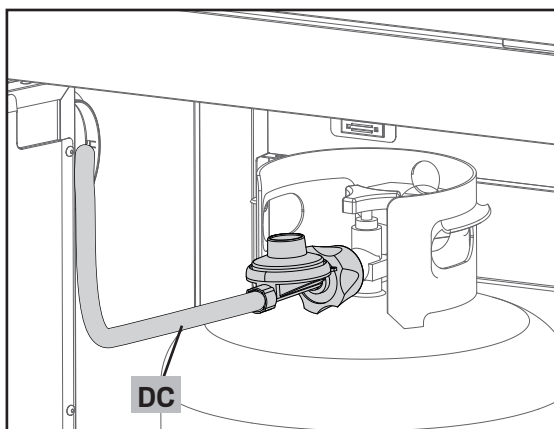
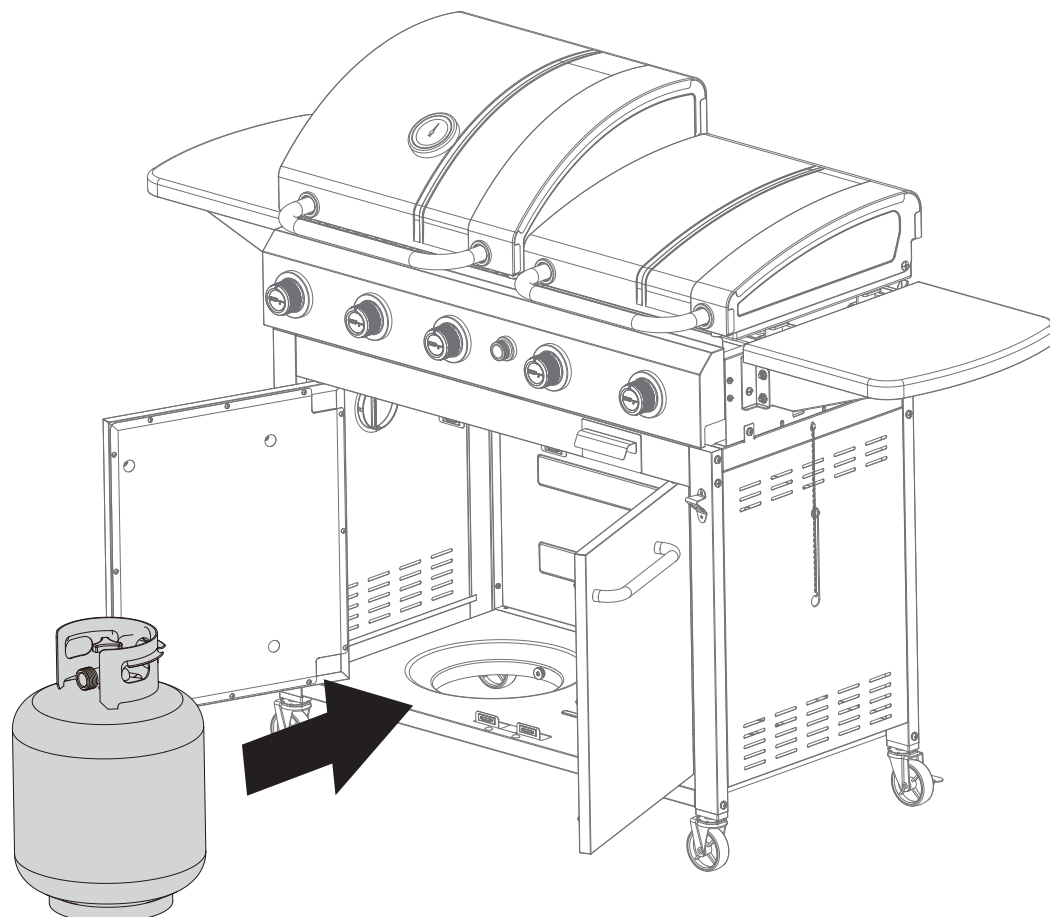


x 2



ASSEMBLY INSTRUCTIONS

25



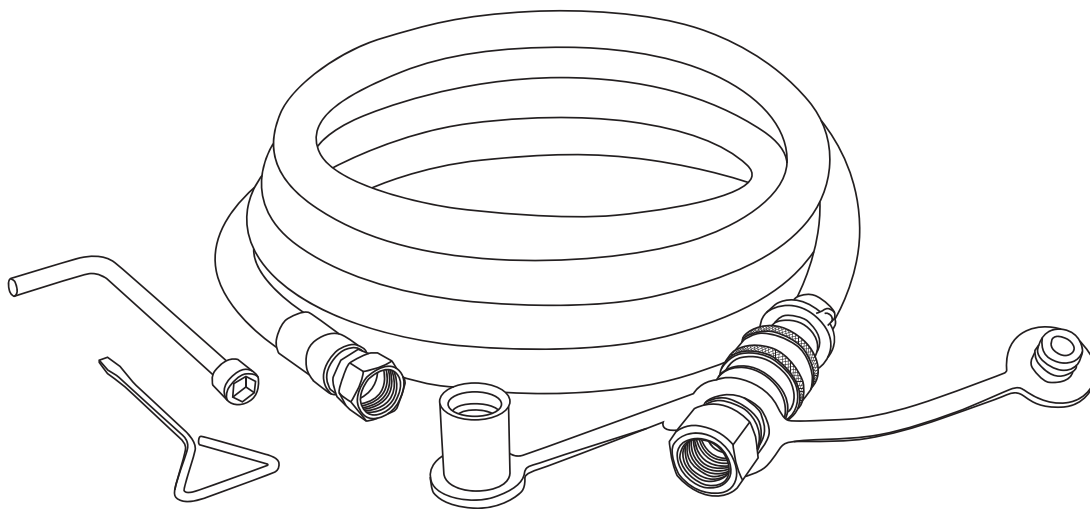
▲ ATTENTION ▲

- FOR YOUR SAFETY, DO NOT ATTEMPT TO LIGHT THIS BARBECUE UNTIL YOU HAVE REVIEWED PAGES 4-8 OF THE MASTER CHEF® SAFETY AND CARE MANUAL.
- ALL SAFETY AND LEAK TESTS MUST BE PERFORMED BY THE END USER PRIOR TO LIGHTING THIS BARBECUE.
- DO NOT STORE EXTRA PROPANE TANKS WITHIN BARBECUE CART.
- IF THE BURNER DOES NOT IGNITE, ADJUST THE POSITION OF THE ELECTRODE SET OR ELECTRONIC IGNITION WIRE.

CONVERT TO NATURAL GAS

HOW TO CONVERT YOUR BARBECUE TO NATURAL GAS

This barbecue was sold PROPANE READY. If you wish to run your barbecue on natural gas, you must purchase the Natural Gas Conversion Kit sold at Canadian Tire, product #085-2261-4.



IMPORTANT

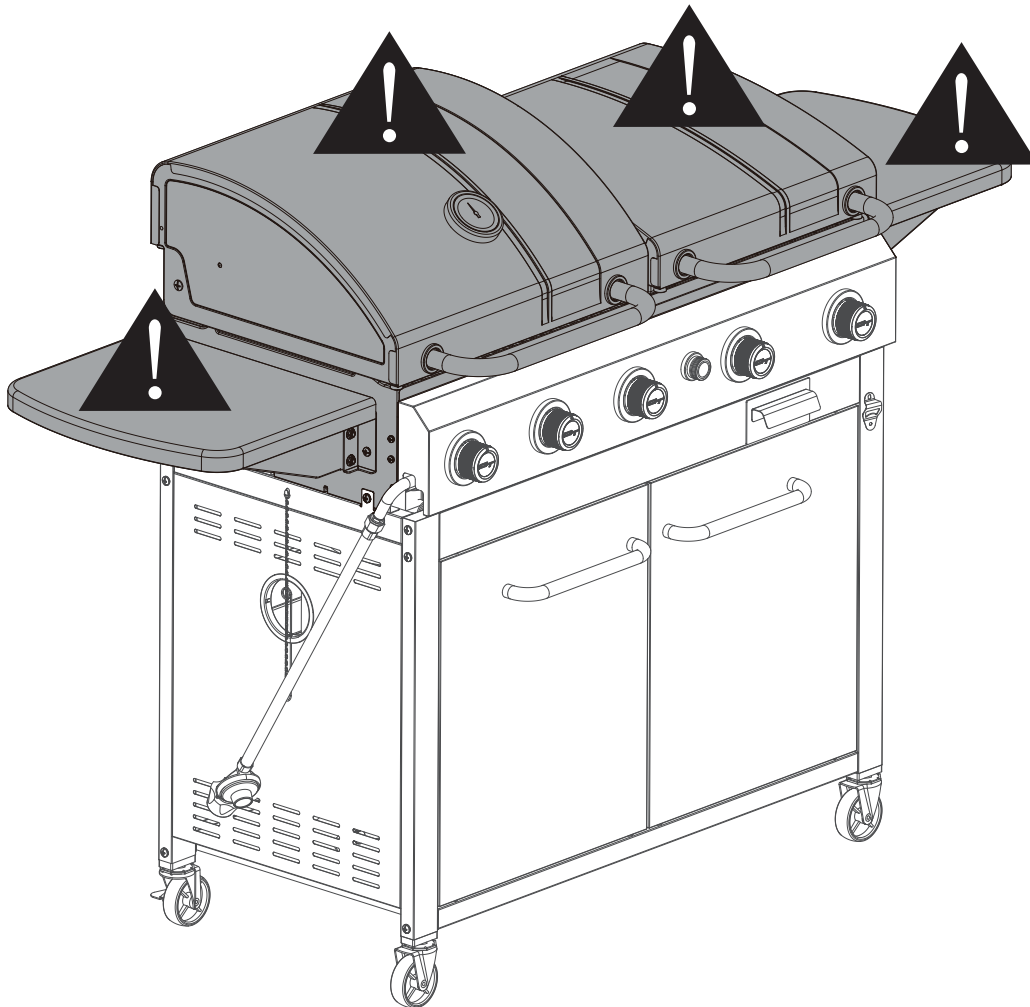
Make sure the conversion kit packaging has the following symbol on it:



CONVERTIBLE
VALVE SYSTEM™

WARNING

! WARNING HOT SURFACES !



CAUTION!

- AVOID BURNS!
- DO NOT TOUCH WHEN BARBECUE IS IN USE!
- EXTREMELY HOT SURFACE!
- SHADED AREAS BECOME EXTREMELY HOT WHEN IN USE!
- DO NOT PLACE TOOLS OR TRAY TOO CLOSE TO THE GRIDDLE AS THEY WILL BECOME SCALDING HOT, CAUSING BURNS.

MASTER
Chef^{TM/MC}

**Visit www.masterchefbbqs.com
to complete product registration**

**Master Chef® Customer Service
1-855-453-2150**

**Trileaf Distribution Trifeuil
Toronto, Ontario M4S 2B8**